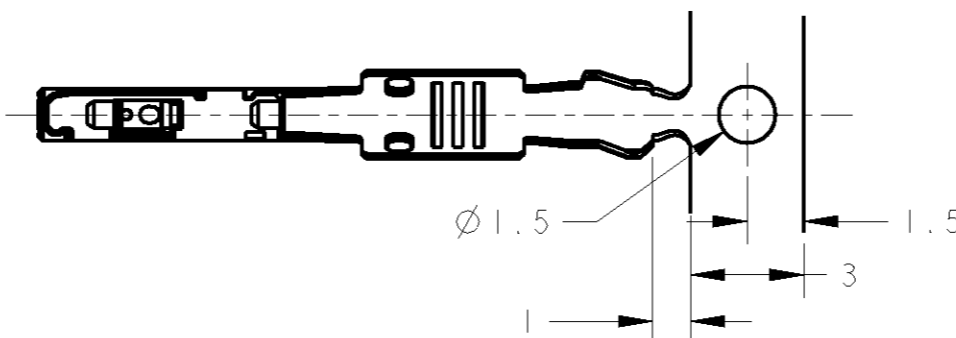
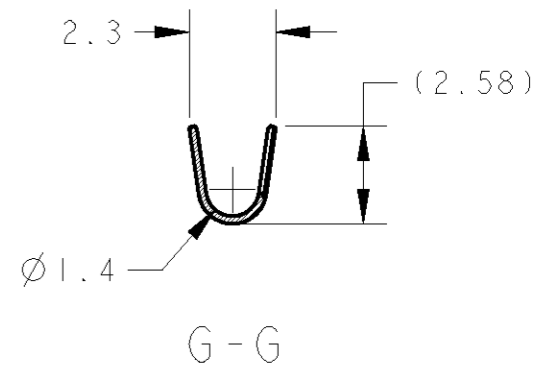
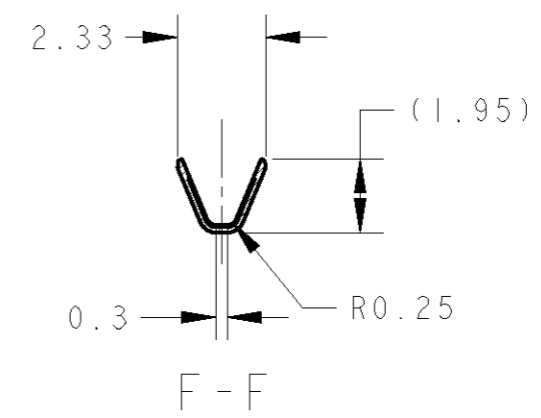
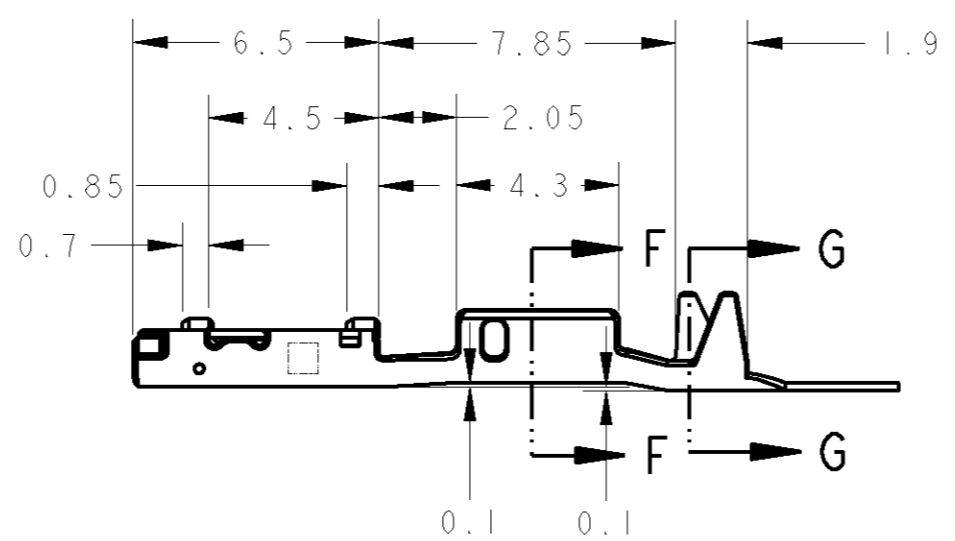
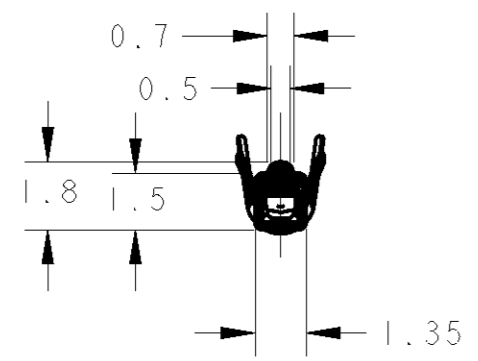


LOC	DIST	REVISIONS					
		P	LTR	DESCRIPTION	DATE	DWN	APVD
J	-	A		RELEASED	19MAR09	TA	HY

**勝特力材料 886-3-5753170**  
**勝特力电子(上海) 86-21-34970699**  
**勝特力电子(深圳) 86-755-83298787**  
[Http://www.100y.com.tw](http://www.100y.com.tw)

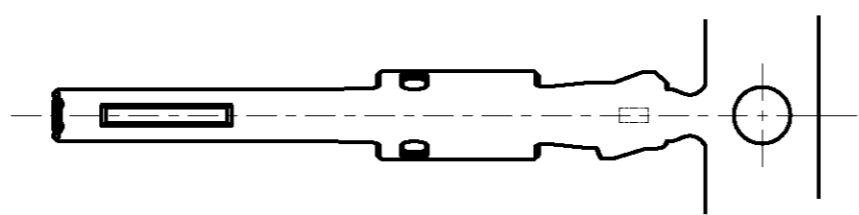


AS SHOWN: - I  
本図: - I



- 1. APPLICABLE WIRE RANGE:  
AESSX/AVSSH/AVSS 0.3~0.5mm<sup>2</sup>
- 2. APPLICATOR FEED: 7.5mm

- 1. 適用電線: AESSX/AVSSH/AVSS 0.3~0.5mm<sup>2</sup>
- 2. アプリケーター送りピッチ: 7.5mm



THIS DRAWING IS A CONTROLLED DOCUMENT FOR TYCO ELECTRONICS CORPORATION  
IT IS SUBJECT TO CHANGE AND THE CONTROLLING ENGINEERING ORGANIZATION  
SHOULD BE CONTACTED FOR THE LATEST REVISION.

DIMENSIONS: 単位: 英 mm	TOLERANCES UNLESS OTHERWISE SPECIFIED: 一般公差 ±0.3 0-PLC ± 1-PLC ±0.5 2-PLC ±0.13 3-PLC ±0.013 4-PLC ±0.001 ANGLES ±3'00"
----------------------------	---

MATERIAL 材料: Cu Alloy FINISH 仕上: PRE-TIN

DWN	T. AKIGUCHI	26NOV08
CHK	R. KOMIYAMA	26NOV08
APVD	H. YAMAGAMI	26NOV08
PRODUCT SPEC	108-78518	
APPLICATION SPEC	114-5400	
WEIGHT	0.16 g	

WIRE RANGE 包合電線断面積	0.37~0.56mm <sup>2</sup>	INSULATION DIA 被覆外径	φ1.4~φ1.7
Tyco Electronics Corporation Kawasaki, Japan		NAME 名称: SEALED 0.50 RECEPTACLE CONTACT Sn	
SIZE	A3	CAGE CODE	00779
DRAWING NO	C=1939349		RESTRICTED TO
CUSTOMER DRAWING		SCALE 尺度	5:1
		SHEET	1 OF 1
		REV	A

# Mouser Electronics

Authorized Distributor

Click to View Pricing, Inventory, Delivery & Lifecycle Information:

[TE Connectivity:](#)

[1939349-1](#)