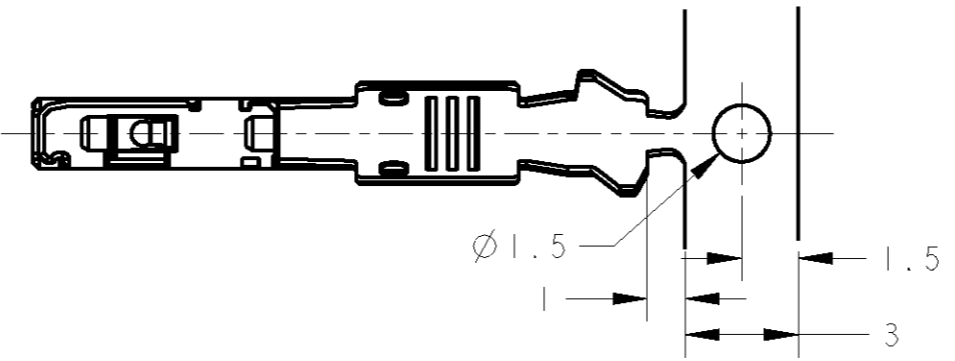


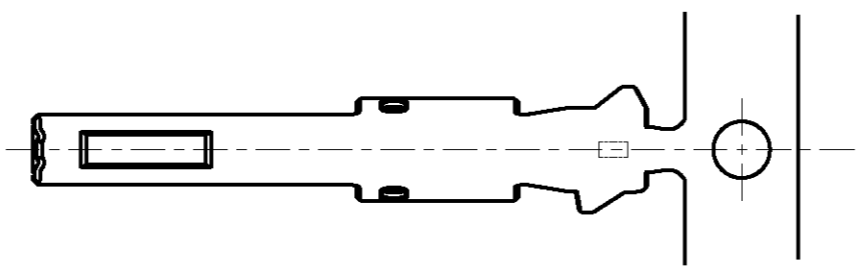
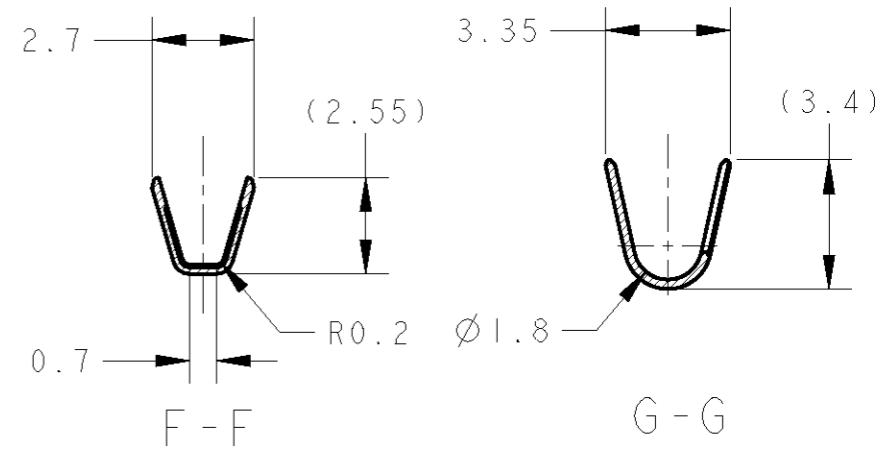
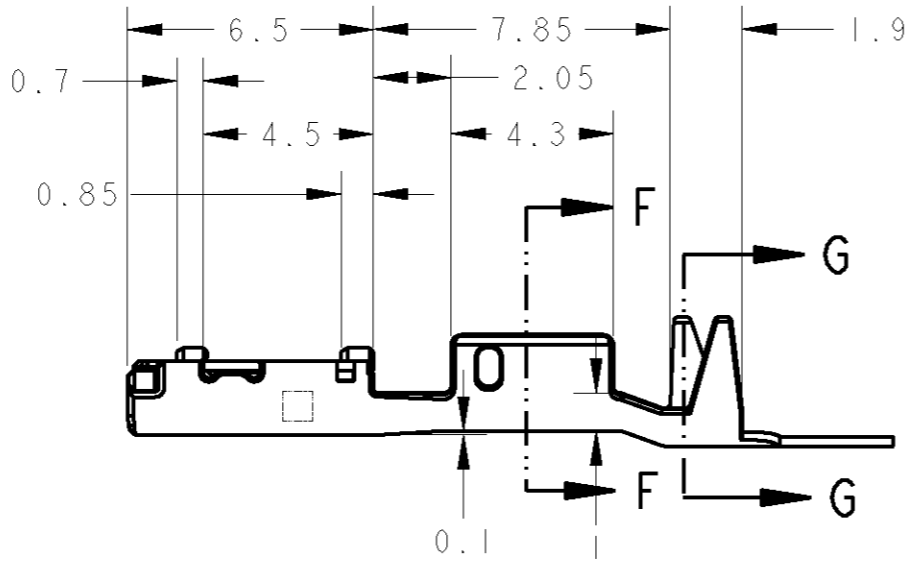
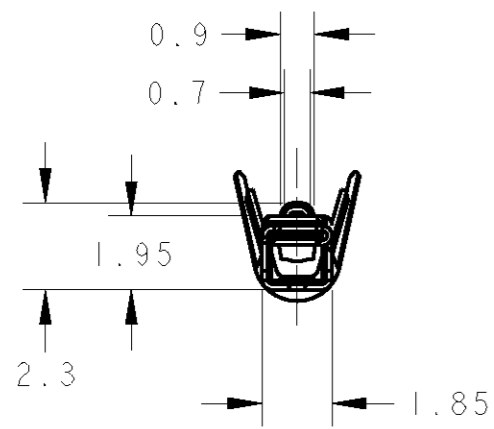
THIS DRAWING IS UNPUBLISHED. RELEASED FOR PUBLICATION 20
 © COPYRIGHT 20 BY TYCO ELECTRONICS CORPORATION. ALL RIGHTS RESERVED.

LOC	DIST	REVISIONS					
		P	LTR	DESCRIPTION	DATE	DWN	APVD
J	-	A		RELEASED	19MAR09	TA	HY

勝特力材料 886-3-5753170
勝特力电子(上海) 86-21-34970699
勝特力电子(深圳) 86-755-83298787
[Http://www.100y.com.tw](http://www.100y.com.tw)



AS SHOWN: -1
 本図: -1



1. APPLICABLE WIRE RANGE:
 AESSX/AVSSH/AVSS 0.75~1.25mm²
 AVSS 0.85~1.25mm²
 2. APPLICATOR FEED: 10.2mm
1. 適用電線: AESSX/AVSSH 0.75~1.25mm²
 AVSS 0.85~1.25mm²
 2. アプリケータ送りピッチ: 10.2mm

THIS DRAWING IS A CONTROLLED DOCUMENT FOR TYCO ELECTRONICS CORPORATION
 IT IS SUBJECT TO CHANGE AND THE CONTROLLING ENGINEERING ORGANIZATION
 SHOULD BE CONTACTED FOR THE LATEST REVISION.

DIMENSIONS: 単位: 英 mm	TOLERANCES UNLESS OTHERWISE SPECIFIED: 一般公差 ±0.3 0-PLC ± 1-PLC ±0.5 2-PLC ±0.13 3-PLC ±0.013 4-PLC ±0.001 ANGLES ±3'00"
MATERIAL 材料 Cu Alloy	FINISH 仕上 PRE-TIN

DWN T. AKIGUCHI 26NOV08	INSULATION DIA 絶縁外径 φ1.8~φ2.2
CHK R. KOMIYAMA 26NOV08	Tyco Electronics Corporation Kawasaki, Japan
APVD H. YAMAGAMI 26NOV08	NAME 名称
PRODUCT SPEC 108-78518	SEALD 1.0 RECEPTACLE CONTACT
APPLICATION SPEC 取付適用規格 114-5400	SIZE A3
WEIGHT 0.27 g	CAGE CODE 00779
CUSTOMER DRAWING	DRAWING NO C=1939351

SCALE 尺度 5:1	SHEET OF 1	REV A
-----------------	---------------	----------

Mouser Electronics

Authorized Distributor

Click to View Pricing, Inventory, Delivery & Lifecycle Information:

[TE Connectivity:](#)

[1939351-1](#)