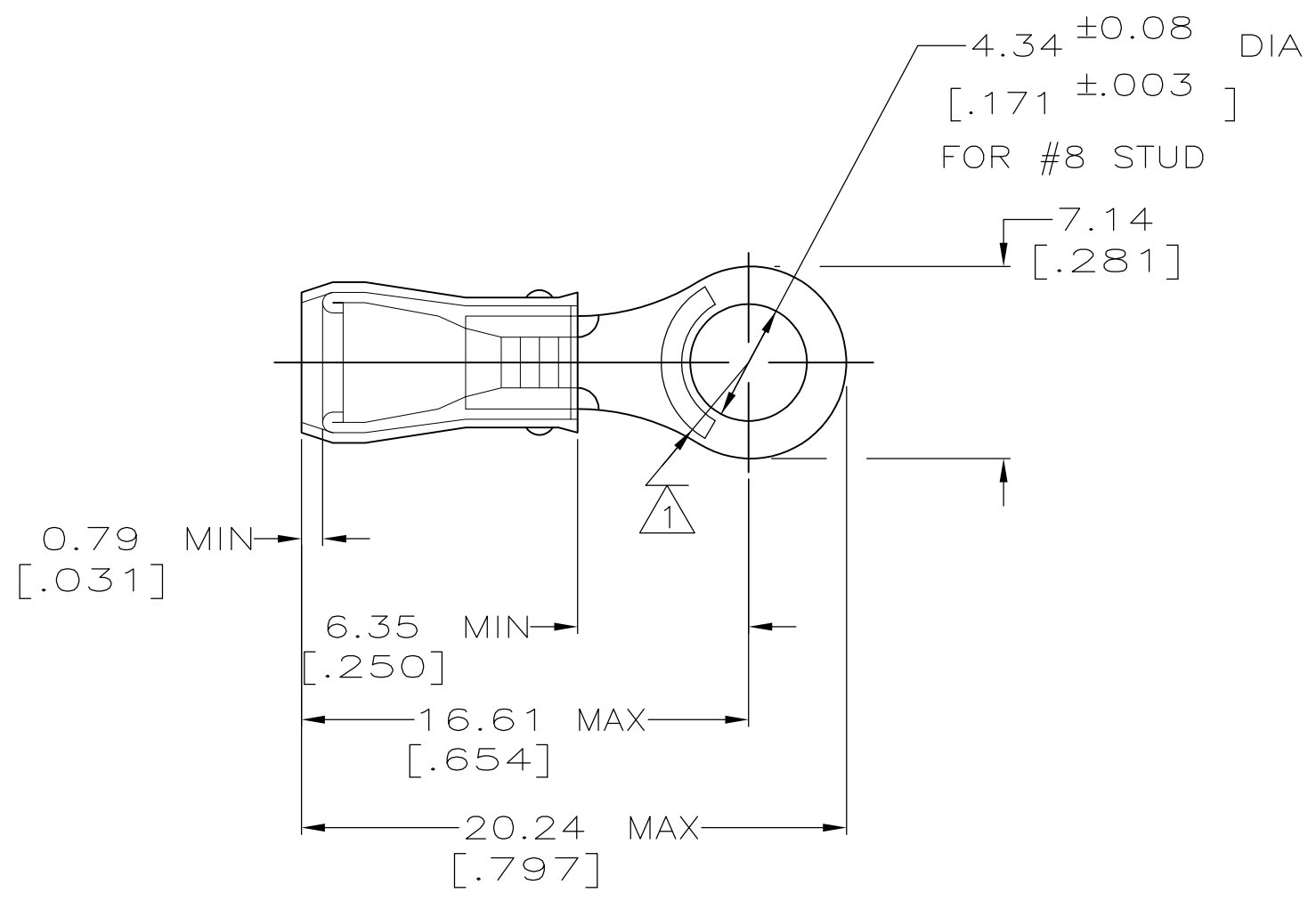


THIS DRAWING IS UNPUBLISHED. RELEASED FOR PUBLICATION  
 © COPYRIGHT - By - ALL RIGHTS RESERVED.

| LOC | DIST | REVISIONS |     |                           |         |     |      |
|-----|------|-----------|-----|---------------------------|---------|-----|------|
|     |      | P         | LTR | DESCRIPTION               | DATE    | DWN | APVD |
| G   | 14   |           | AA2 | REVISED PER ECO-11-004587 | 11MAR11 | RK  | HMR  |

勝特力電材超市-龍山店 886-3-5773766  
 勝特力電材超市-光復店 886-3-5729570  
 勝特力电子(上海) 86-21-34970699  
 勝特力电子(深圳) 86-755-83298787  
<http://www.100y.com.tw>



|                                |                                |                                |
|--------------------------------|--------------------------------|--------------------------------|
| AMP<br>WIRE RANGE              | UL Listed                      | LR7189<br>Certified            |
| 22-16 AWG<br>SOLID OR STRANDED | 22-16 AWG<br>SOLID OR STRANDED | 22-16 AWG<br>SOLID OR STRANDED |

- 1 STAMP AMP 22-18\* APPROX AS SHOWN  
22-16 TERMINALS ARE STAMPED 22-18 IN ACCORDANCE WITH MILITARY SPEC MIL-T-7928  
COMMERCIAL WIRE RANGE IS 22-16
- 2 WIRE INSULATION DIA: .105 - .140
- 3 TONGUE MATERIAL THK: 0.79<sup>±0.05</sup> [.031<sup>±0.002</sup>]

| MILITARY P/N AND CLASS | QUANTITY | PACKAGE TYPE     | PART NO   |
|------------------------|----------|------------------|-----------|
| -                      | 100      | LOOSE PIECE, BOX | 8-31886-1 |
| -                      | 5000     | ON TAPE, REEL    | 2-31886-2 |
| -                      | -        | LOOSE PIECE      | 31886     |

|  |  |   |
|--|--|---|
| AMP INCORPORATED<br>CUSTOMER SERVICE SYSTEMS                                     |  | MAX RECOMMENDED OPERATING TEMPERATURE:<br>105° C MAX  |
| FOR ADDITIONAL PRODUCT INFORMATION OR COPIES OF DRAWINGS AND TECHNICAL DOCUMENTS | PRODUCT INFORMATION CENTER<br>1-800-522-6752 | VOLTAGE RATING:<br>300 V MAX  |
| FOR APPLICATION TOOLING INFORMATION  | TOOLING ASSISTANCE CENTER<br>1-800-722-1111  | WIRE CROSS SECTIONAL AREA RANGE:<br>0.26-1.65mm <sup>2</sup> [509-3,260] CIR MILS<br>SOLID OR STRANDED  |
| FOR ORDER ENTRY  | 1-800-526-5142                               | THIS DRAWING IS A CONTROLLED DOCUMENT FOR AMP INCORPORATED. IT IS SUBJECT TO CHANGE AND THE CONTROLLING ENGINEERING ORGANIZATION SHOULD BE CONTACTED FOR THE LATEST REVISION. |

|   |                          |                        |  |               |
|---|--------------------------|------------------------|--|---------------|
| THIS DRAWING IS A CONTROLLED DOCUMENT.  |                          | DWN DK SCHRUM 02/11/93 | TE Connectivity                                    |               |
| DIMENSIONS: mm [INCHES]                 |                          | CHK RE HERSEY 4/28/93  |  |               |
| TOLERANCES UNLESS OTHERWISE SPECIFIED:  |                          | APVD ML ELLIS 4/28/93  | NAME   |               |
| 0 PLC ± -                               |                          | PRODUCT SPEC           | TERMINAL, RING TONGUE, PIDG™, WIRE SIZE, 22-16 AWG |               |
| 1 PLC ± -                               |                          | APPLICATION SPEC       | -  |               |
| 2 PLC ± 0.20[.008]                      |                          | UL 486A                | SIZE   | CAGE CODE     |
| 3 PLC ± -                               |                          | NOT AVAILABLE          | A3   | 00779         |
| 4 PLC ± -                               |                          | WEIGHT -               | DRAWING NO   | RESTRICTED TO |
| ANGLES ± -                              |                          | CUSTOMER DRAWING       | G-31886  | -             |
| MATERIAL                                | FINISH                   | SCALE                  | SHEET  | REV           |
| COPPER PER ASTM B-152 SLEEVE, RED NYLON | TIN PLATE PER ASTM B-545 | 4:1                    | 1 OF 1   | AA2           |