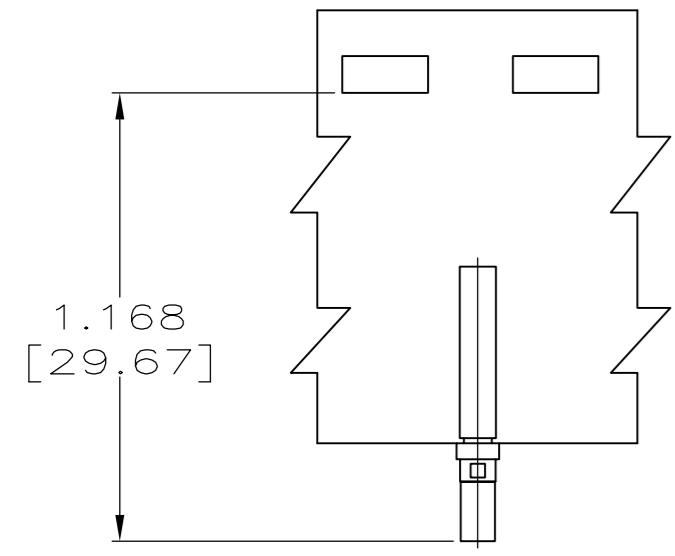
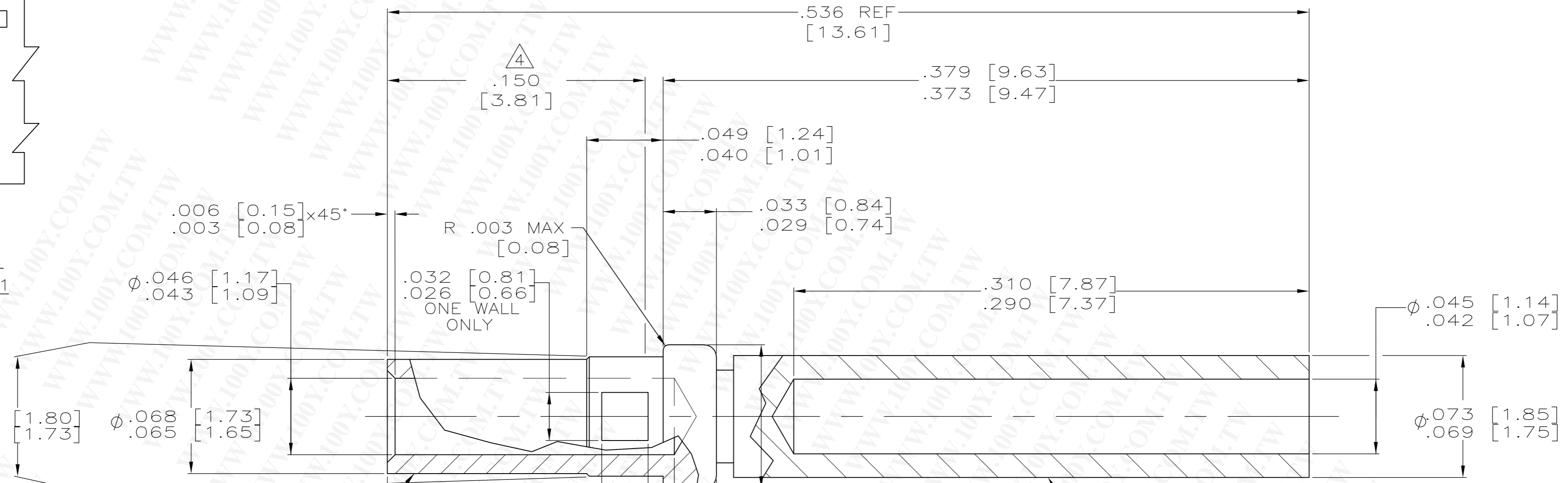


THIS DRAWING IS UNPUBLISHED. RELEASED FOR PUBLICATION
 © COPYRIGHT - By - ALL RIGHTS RESERVED.

LOC		DIST		REVISIONS			
P	LTR	DESCRIPTION	DATE	DWN	APVD		
T		REV PER ECO 14-014240	10-3-14	CT	CD		

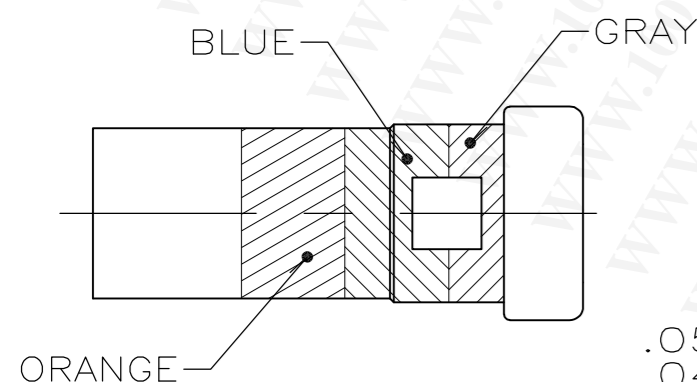


205090-2
SCALE 2:1

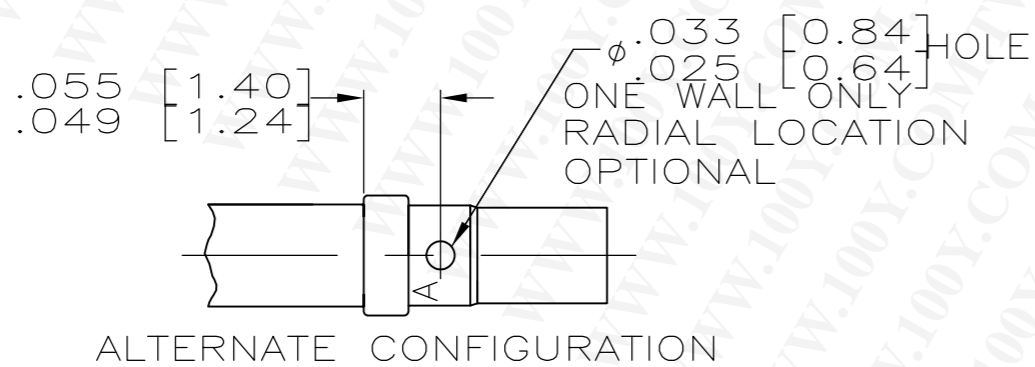


BODY
MAT'L: LEADED NICKEL COPPER
FINISH: SEE TABLE

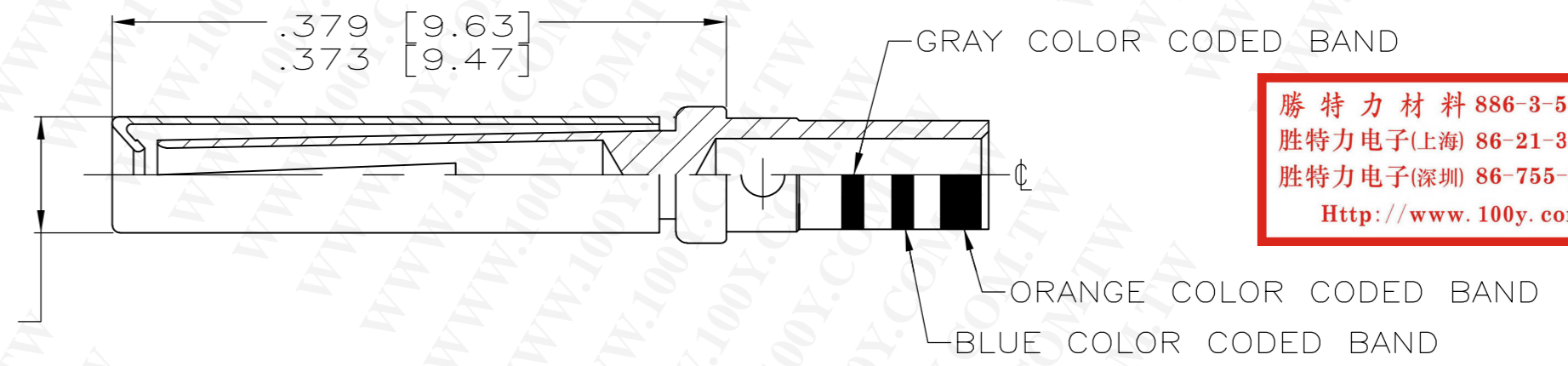
HOOD
MAT'L: STAINLESS STEEL PER ASTM-A-240
FINISH: PASSIVATED PER AMS-2700B



COLOR CODE
BIN NO. 368
SCALE 10:1



ALTERNATE CONFIGURATION



勝特力材料 886-3-5753170
 胜特力电子(上海) 86-21-34970699
 胜特力电子(深圳) 86-755-83298787
 Http://www.100y.com.tw

- ALL DIMENSIONS APPLY AFTER PLATING.
- CONTACT QUALIFIED TO SAE-AS39029/63-368.
- ALL DIAMETERS CONCENTRIC WITH EACH OTHER WITHIN .004 T.I.R.
- POINT OF PLATING MEASUREMENT .150 [3.81] FROM WIRE BARREL END OF CONTACT.
- ALL SURFACES HAVE $\sqrt{63}$ OR BETTER FINISH.
- GOLD PLATED .000050 MIN THK PER ASTM-B-488 TYPE II, GRADE C, CLASS 1.25 OVER NICKEL .000050 MIN THK PER AMS-QQ-N-290 IN MATING AREAS. GOLD FLASH PER ASTM-B-488 OVER .000050 MIN THK NICKEL PER AMS-QQ-N-290 IN NON MATING AREAS.
- GOLD PLATED PER ASTM B 488 TYPE 3, GRADE C, CLASS .75 OVER NICKEL PER QQ-N-290.
- SLEEVE MAY BE CRIMPED, DIMPLED OR PRESS FIT TO BODY
- MANUFACTURER'S LOGO ("A" OR "- . .") LOCATION OPTIONAL.
- RESTRICTED PART NUMBER

SUPERSEDED BY 1218267-3

COLOR CODE	FINISH	DESCRIPTION	PART NUMBER
NO	Δ	LOOSE PIECE	2-205090-1
YES	Δ	TAPE MOUNTED	205090-7
YES	Δ	LOOSE PIECE	205090-1

THIS DRAWING IS A CONTROLLED DOCUMENT.		DWN C.C.THOMAS 8-17-04	TE Connectivity	
DIMENSIONS: INCHES [mm]		CHK D.MILLER 8-17-04		
TOLERANCES UNLESS OTHERWISE SPECIFIED:		APVD D.MILLER 8-17-04	NAME CONTACT ASSY, SOCKET, SIZE 20,AMPLIMITE	
0 PLC ± -	1 PLC ± -	PRODUCT SPEC	SIZE A2	
2 PLC ± -	3 PLC ± .005 [0.13]	APPLICATION SPEC	CAGE CODE 00779	DRAWING NO C=205090
4 PLC ± -	ANGLES ± -	WEIGHT -	RESTRICTED TO -	
MATERIAL SEE CALLOUTS	FINISH SEE CALLOUTS	CUSTOMER DRAWING	SCALE 20:1	SHEET 1 OF 1