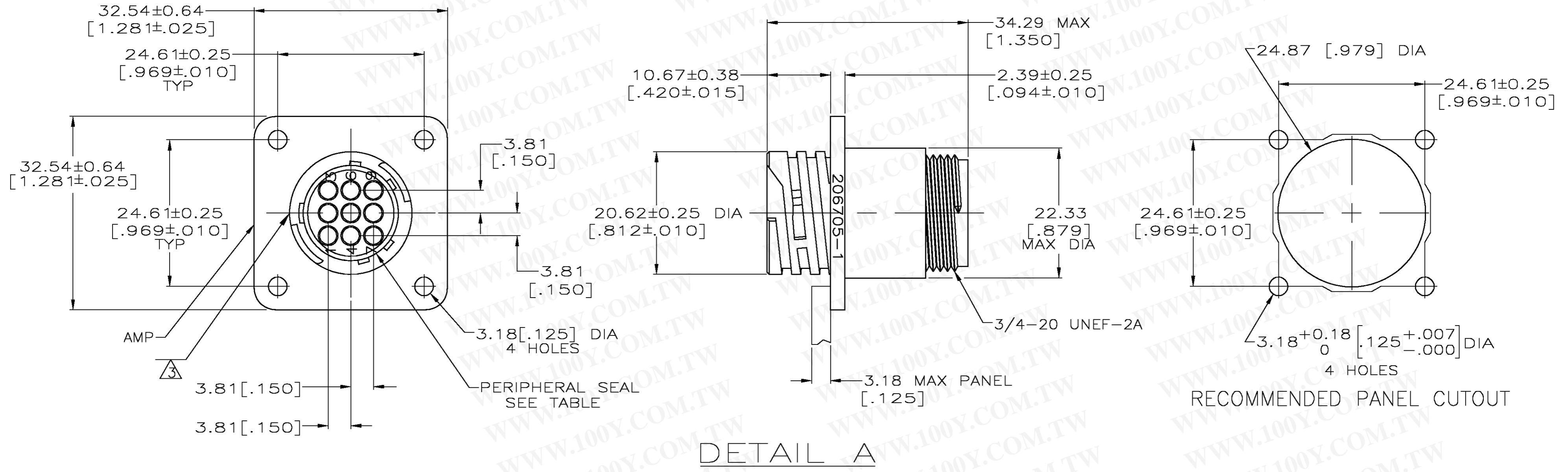
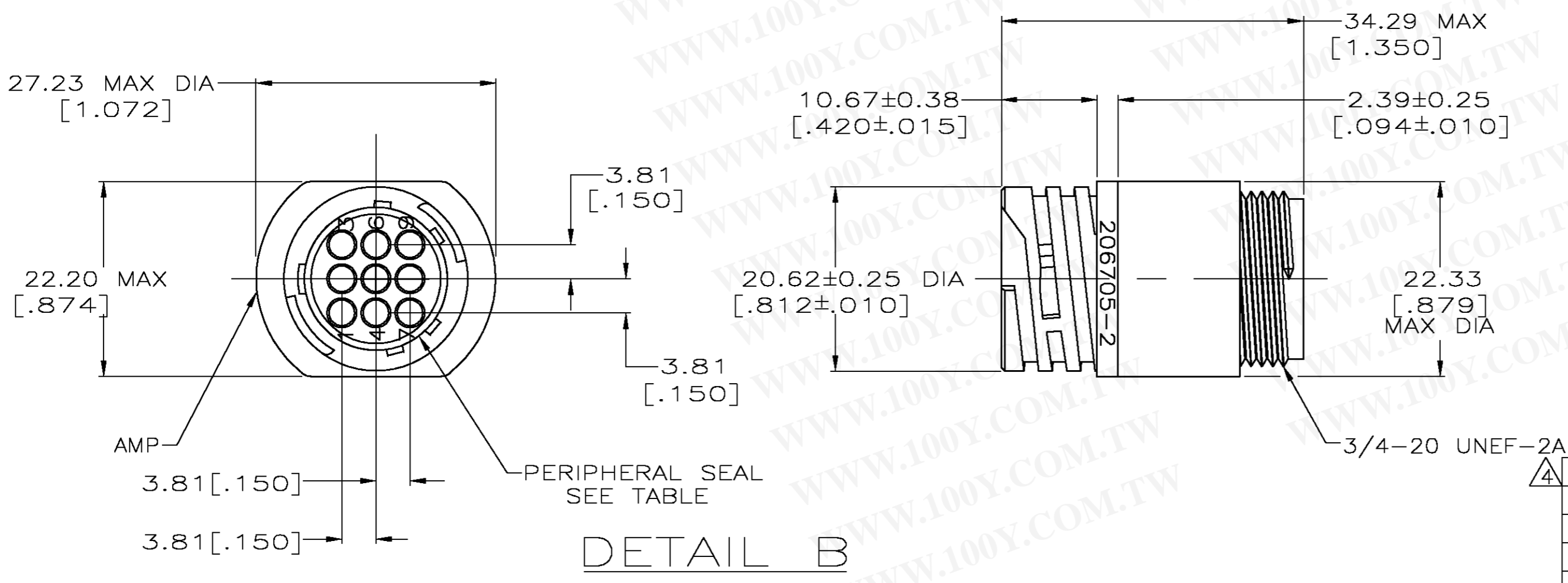


THIS DRAWING IS UNPUBLISHED. RELEASED FOR PUBLICATION
 © COPYRIGHT BY TYCO ELECTRONICS CORPORATION. ALL RIGHTS RESERVED.

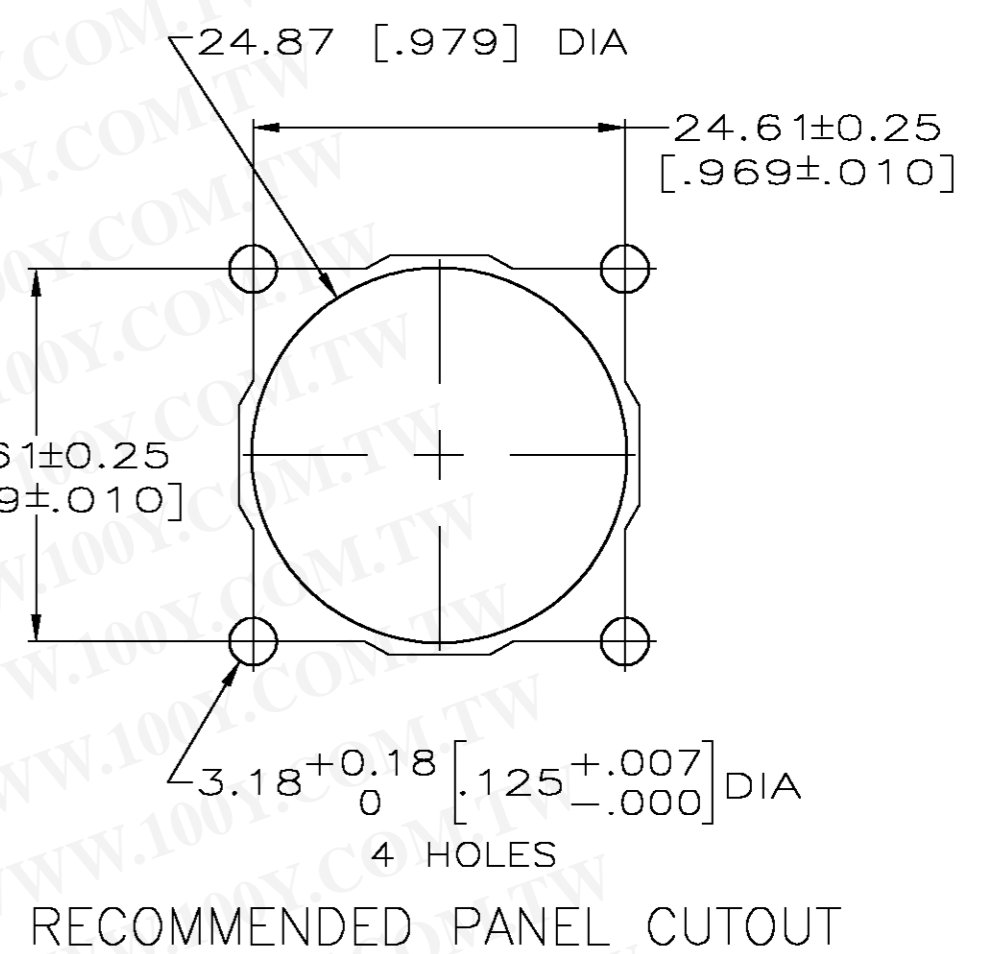
LOC		DIST		REVISIONS			
P	LTR	DESCRIPTION	DATE	DWN	APVD		
	L	REVISED PER 0G3B-0993-04	10/29/04	SS	HW		



DETAIL A



DETAIL B



RECOMMENDED PANEL CUTOUT

- NOTES:
- CAVITY IDENTIFICATION ON FRONT AND REAR FACE.
 - RECEPTACLE WILL ACCEPT NINE (9) MULTIMATE PIN CONTACTS.
- ③ WHITE DOT OVER MAJOR KEY, APPROX WHERE SHOWN.
- ④ PRELIMINARY PART NUMBER.

胜特力材料 886-3-5753170
 胜特力电子(上海) 86-21-34970699
 胜特力电子(深圳) 86-755-83298787
[Http://www.100y.com.tw](http://www.100y.com.tw)

NOTES	PERIPHERAL SEAL	SEE DETAIL	PART NUMBER
④	③	NO	A
-	-	YES	B
-	-	YES	A
-	-	NO	B
-	-	NO	A

THIS DRAWING IS A CONTROLLED DOCUMENT.		DWN D.HARDY 05/19/94	Tyco Electronics Corporation Harrisburg, Pa 17105-3608	
DIMENSIONS: INCHES		CHK R.STONE 05/20/94	NAME RECEPTACLE HOUSING, STANDARD SEX, SHELL SIZE 13, CPC	
TOLERANCES UNLESS OTHERWISE SPECIFIED: 0 PLC ± - 1 PLC ± - 2 PLC ± 0.13 [.005] 3 PLC ± - 4 PLC ± - ANGLES ± - FINISH -		APVD -	PRODUCT SPEC 108-10024	RESTRICTED TO -
MATERIAL NYLON, BLACK		APPLICATION SPEC -	SIZE A2	CAGE CODE 00779
		WEIGHT -	DRAWING NO C=206705	SCALE 2:1
		CUSTOMER DRAWING	SHEET 1 OF 1	REV L