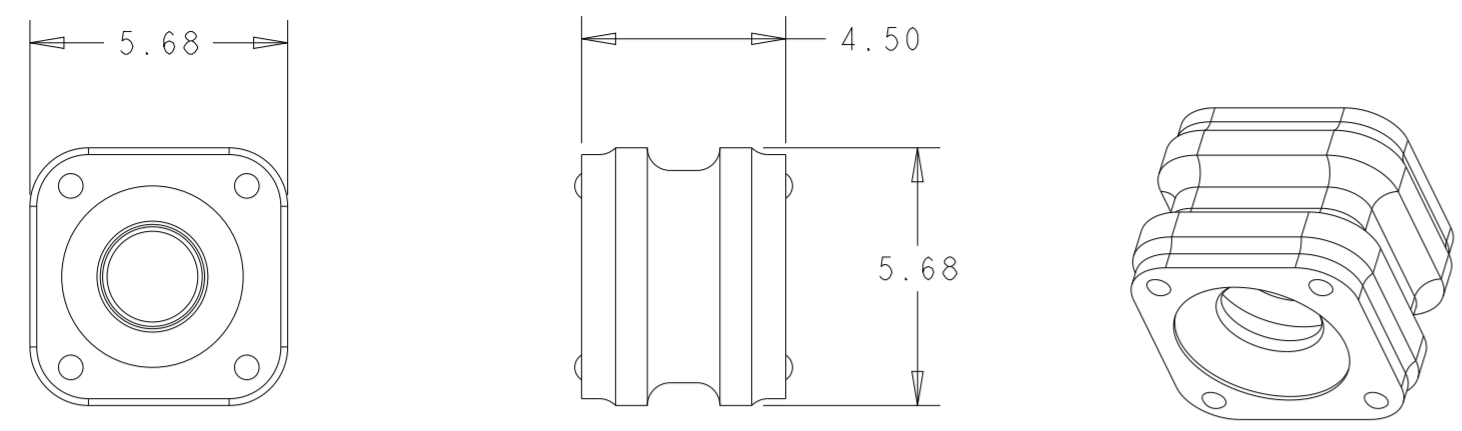


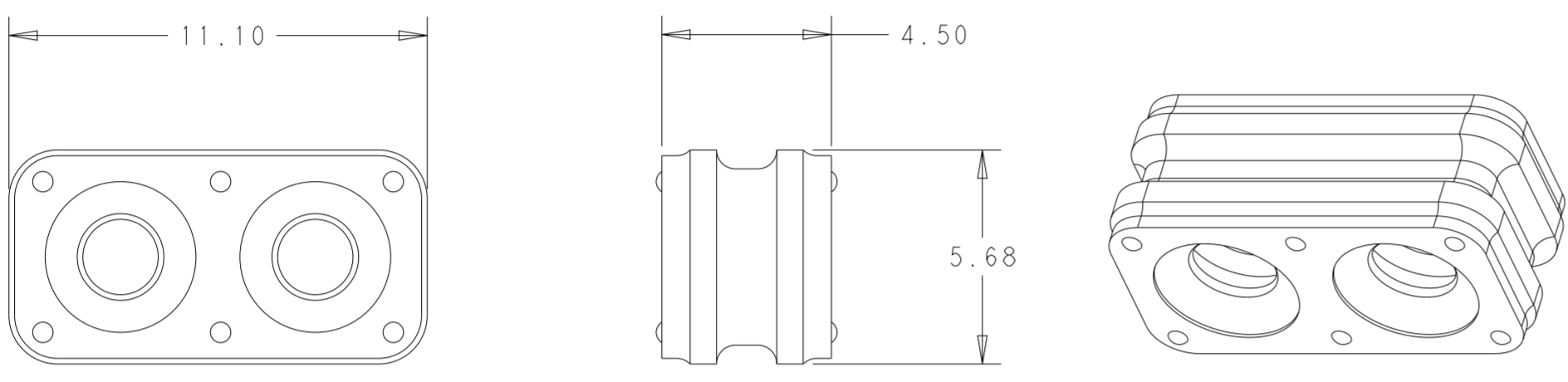
THIS DRAWING IS UNPUBLISHED. RELEASED FOR PUBLICATION 2018
 © COPYRIGHT 2018 BY - ALL RIGHTS RESERVED.

REVISIONS				
P	LTR	DESCRIPTION	DATE	APVD
A		RELEASED PER ECO-19-016370	25OCT2019	BKW DS
A1		REVISED PER ECR-20-100211	08AUG2020	JP VS
A2		REVISED PER ECR-22-126000	07JAN2022	SS VS

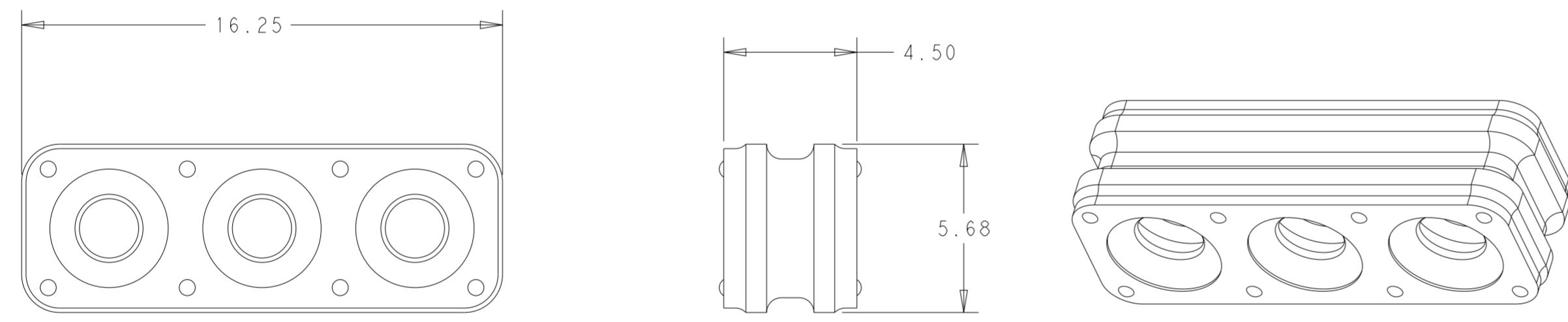
勝特力電材超市-龍山店 886-3-5773766
 勝特力電材超市-光復店 886-3-5729570
 勝特力電子(上海) 86-21-34970699
 勝特力電子(深圳) 86-755-83298787
<http://www.100y.com.tw>



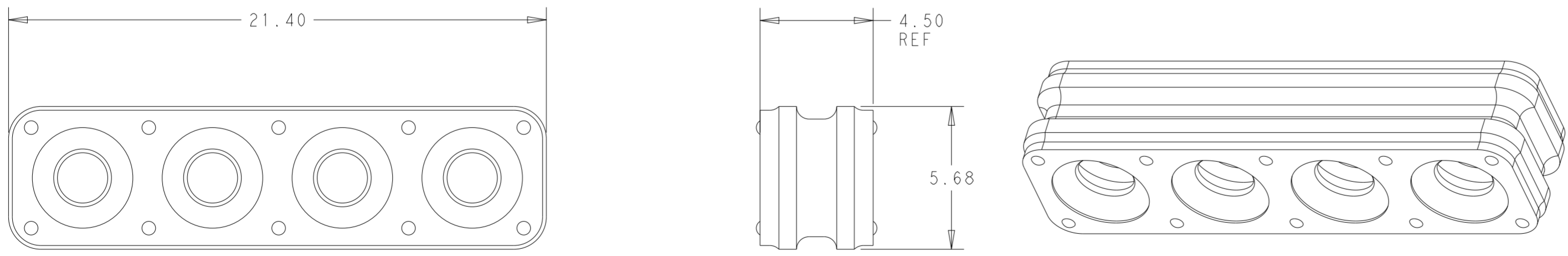
1*1 POSITION



1*2 POSITION



1*3 POSITION



1*4 POSITION

1 MATERIAL: SILICONE RUBBER, INHERENTLY LUBRICATED
 COLOR - SEE CHART

2 SEE CHART FOR INSULATION OD RANGE

3 MATING CONNECTOR P/N'S:
 CAP HSG - *-2325350-*/*-2325043-*/*-2336231-*/
 -2337219-/*-2345729-1
 PLUG HSG - *-2332040-*/*-2336229-*/*-2345728-1
 CONTACTS - 2329907-*/2329908-*/2329911-*/2329914-*/
 2329916-*/2329917-*/
 BACK COVER (OPTIONAL) - 2324614-*/2340648-6

4 PRELIMINARY PART - NOT RELEASED FOR PRODUCTION
 THIS PRODUCT HAS NOT COMPLETED QUALIFICATION TESTING

5 THIS PRODUCT HAS NOT COMPLETED QUALIFICATION TESTING

COLOR	INSULATION OD RANGE	POSITIONS	PART NUMBER
GREEN	1.30-2.40	1*4	4-1-2325349-4
GREEN	1.30-2.40	1*3	5-1-2325349-3
GREEN	1.30-2.40	1*2	4-1-2325349-2
GREEN	1.30-2.40	1*1	4-1-2325349-1
BLUE	2.45-3.60	1*4	4-2325349-4
BLUE	2.45-3.60	1*3	2325349-3
BLUE	2.45-3.60	1*2	2325349-2
BLUE	2.45-3.60	1*1	2325349-1

THIS DRAWING IS A CONTROLLED DOCUMENT.

DWN	B. WEAVER	15 JUN 2018
CHK	S. FERNANDES	15 JUN 2018
APVD	C. YI	15 JUN 2018

TE Connectivity

NAME: GANG SEAL, POWER VERSA-LOCK

PRODUCT SPEC: 108-143081

APPLICATION SPEC: 114-143082

WEIGHT: -

CUSTOMER DRAWING

SCALE: 6:1

SHEET: 1 OF 1

REV: A2