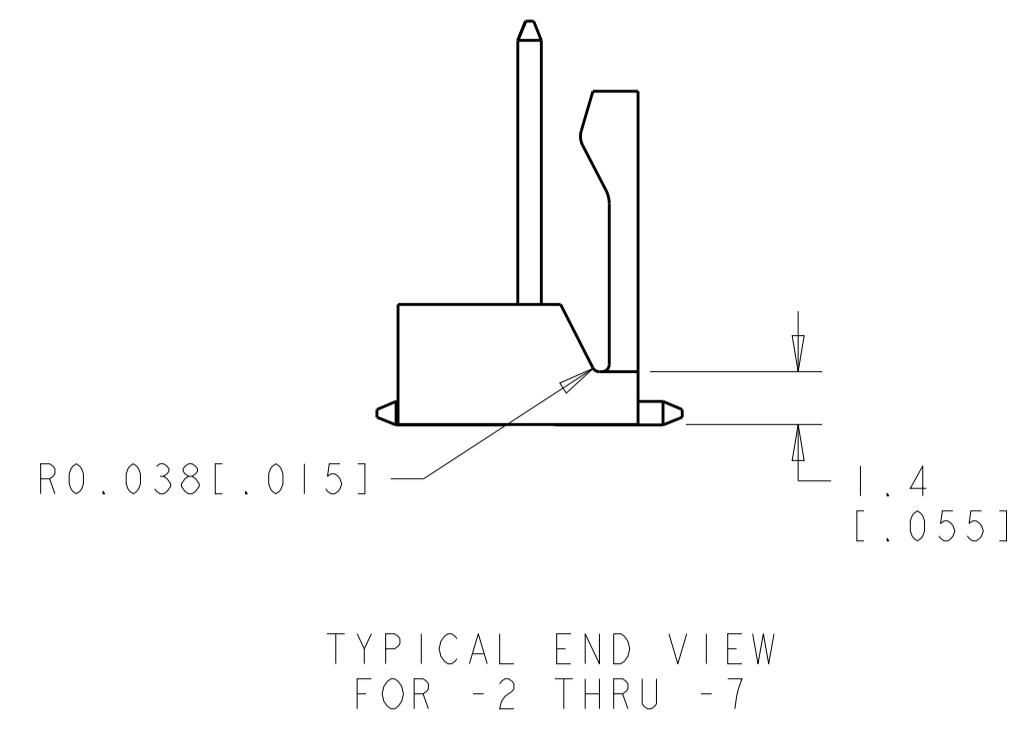
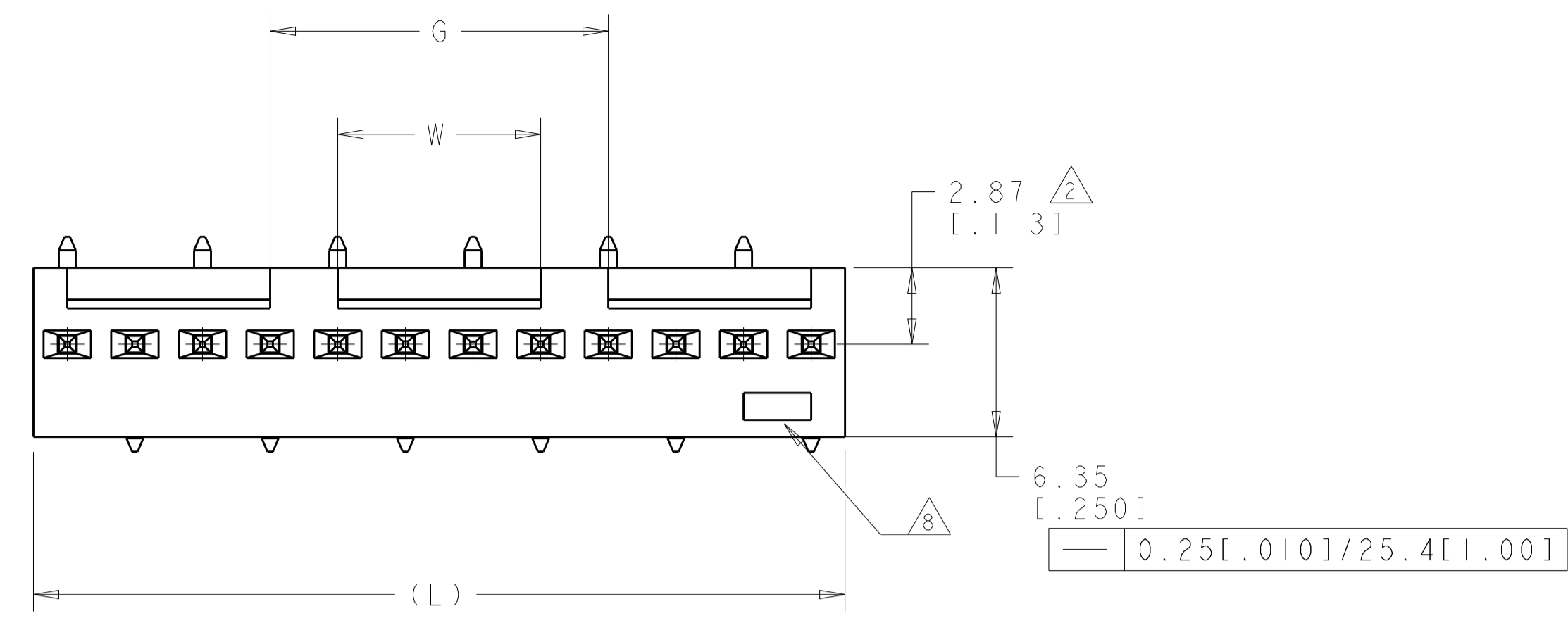
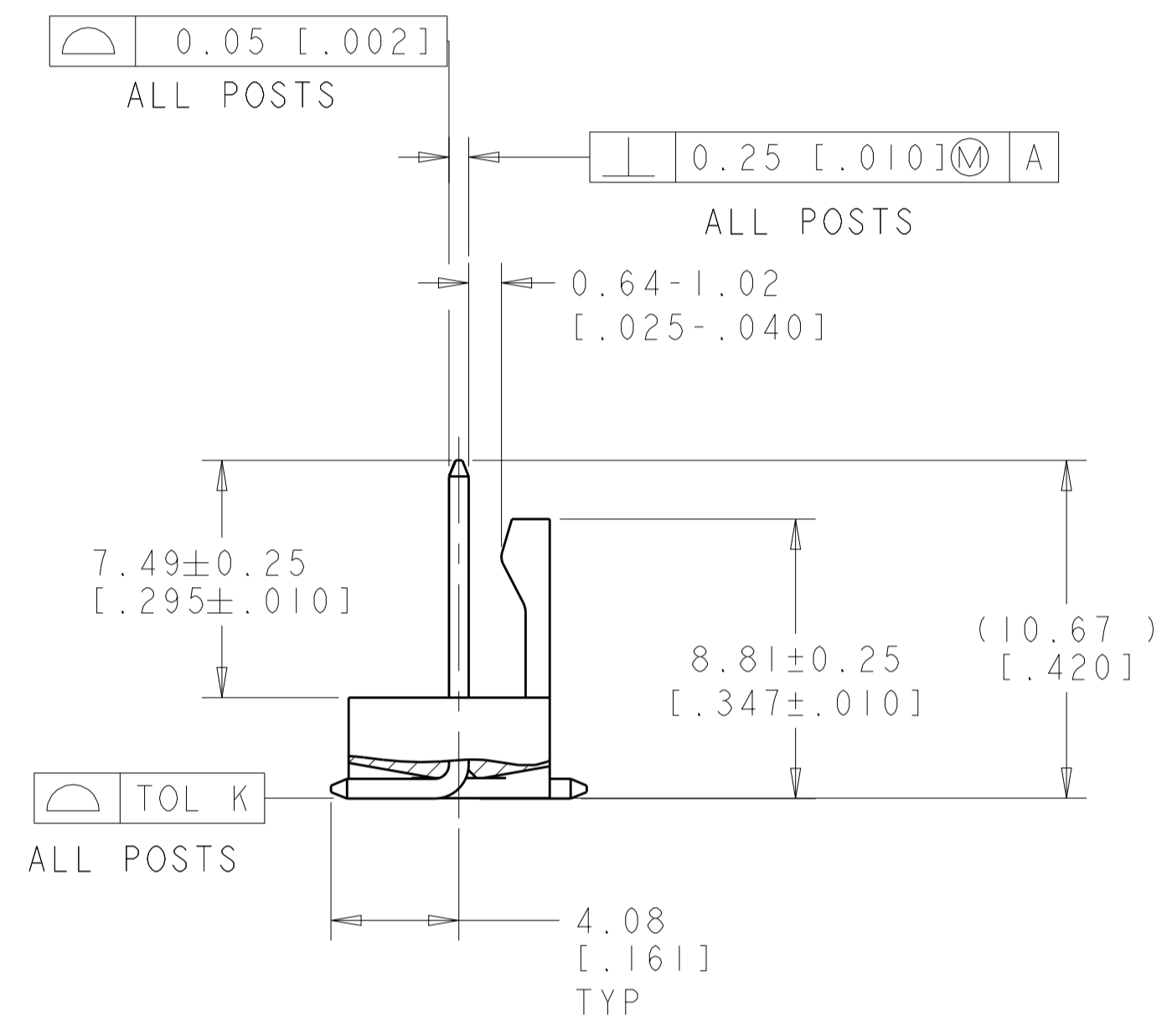
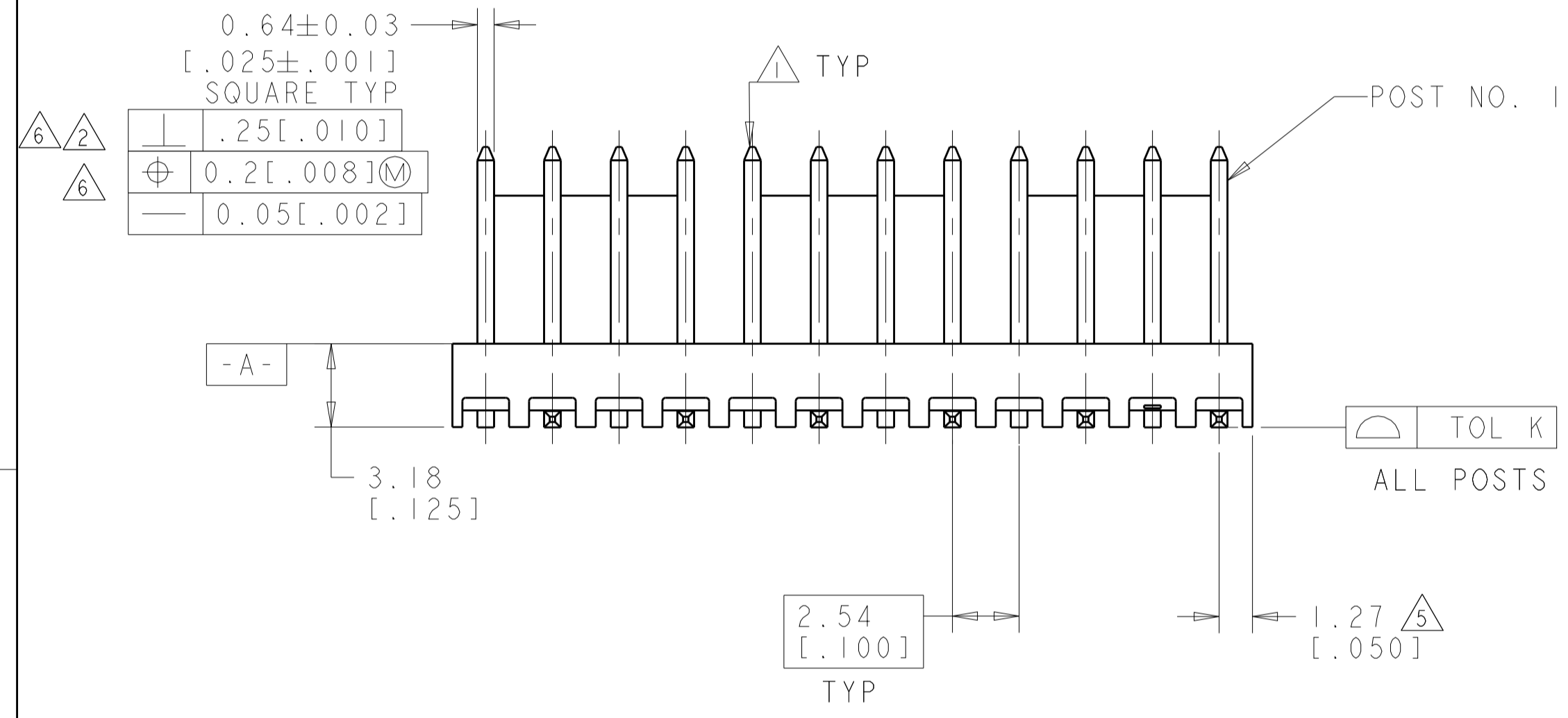


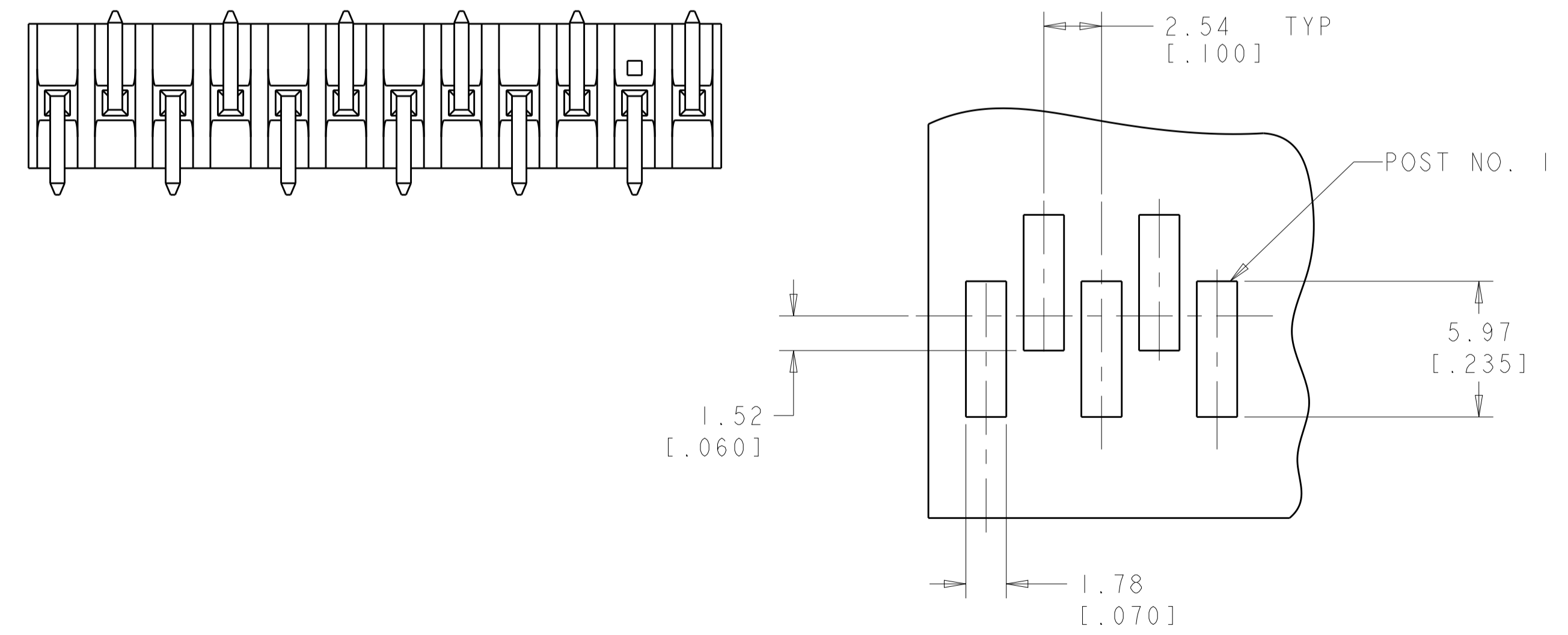
REVISIONS				
P.	LTN.	DESCRIPTION	DATE	APVD.
R1		REVISED PER ECR-18-004355	13JUL2018	BDA SG
R2		REVISED PER ECR-19-014111	22OCT2019	PC SW
R3		REVISED PER ECN-20-100194	09JUL2020	BDA SW



- △ POST WITHSTAND 13 NEWTONS (3 LBS) MIN AXIAL FORCE IN DIRECTION SHOWN WITHOUT DISLODGING.
- △ MEASURED AT [-A-].
- 3. PARTS COMPLY WITH SOLDERABILITY SPEC 109-11-2.
- △ MATERIAL: HOUSING: NYLON, 4/6, HIGH TEMP, BLACK.
POST -2 THRU -12 COPPER ALLOY TIN LEAD (93/7) PLATING.
POST -32 THRU -48 COPPER ALLOY TIN PLATING.
- △ COORDINATE DIMENSION APPLIES FROM CENTER OF ACTUAL FEATURE.
- △ POSTS TO BE MEASURED WHEN STRIP HELD FLAT.
- 7. DIMENSIONS IN BRACKETS ARE IN INCHES.
- △ TE LOGO, UL, AND CSA TRADEMARKS TO APPEAR ON THIS SURFACE.



勝特力電材超市-龍山店 886-3-5773766
勝特力電材超市-光復店 886-3-5729570
勝特力电子(上海) 86-21-34970699
勝特力电子(深圳) 86-755-83298787
<http://www.100y.com.tw>



RECOMMENDED MOUNTING HOLE PATTERN FOR USE WITH 0.25 [0.010] THICK STENCIL

0.20 [0.008]	12.70 [0.500]	27.94 [1.100]	45.72 [1.800]	18	4-647166-8
0.20 [0.008]	12.70 [0.500]	17.78 [0.700]	35.56 [1.400]	14	4-647166-4
0.15 [0.006]	7.62 [0.300]	12.70 [0.500]	30.48 [1.200]	12	4-647166-2
0.15 [0.006]	-	10.16 [0.400]	27.94 [1.100]	11	4-647166-1
0.15 [0.006]	-	7.62 [0.300]	25.40 [1.000]	10	4-647166-0
0.15 [0.006]	-	5.08 [0.200]	22.86 [0.900]	9	3-647166-9
0.15 [0.006]	-	2.54 [0.100]	20.32 [0.800]	8	3-647166-8
0.15 [0.006]	-	-	17.78 [0.700]	7	3-647166-7
0.15 [0.006]	-	-	15.24 [0.600]	6	3-647166-6
0.15 [0.006]	-	-	12.70 [0.500]	5	3-647166-5
0.15 [0.006]	-	-	10.16 [0.400]	4	3-647166-4
0.15 [0.006]	-	-	7.62 [0.300]	3	3-647166-3
0.15 [0.006]	-	-	5.08 [0.200]	2	3-647166-2
OBSOLETE	0.20 [0.008]	12.70 [0.500]	27.94 [1.100]	18	1-647166-8
OBSOLETE	0.20 [0.008]	12.70 [0.500]	17.78 [0.700]	14	1-647166-4
OBSOLETE	0.15 [0.006]	7.62 [0.300]	12.70 [0.500]	12	1-647166-2
OBSOLETE	0.15 [0.006]	-	10.16 [0.400]	11	1-647166-1
OBSOLETE	0.15 [0.006]	-	7.62 [0.300]	10	1-647166-0
OBSOLETE	0.15 [0.006]	-	5.08 [0.200]	9	647166-9
OBSOLETE	0.15 [0.006]	-	2.54 [0.100]	8	647166-8
OBSOLETE	0.15 [0.006]	-	-	7	647166-7
OBSOLETE	0.15 [0.006]	-	-	6	647166-6
OBSOLETE	0.15 [0.006]	-	-	5	647166-5
OBSOLETE	0.15 [0.006]	-	-	4	647166-4
OBSOLETE	0.15 [0.006]	-	-	3	647166-3
OBSOLETE	0.15 [0.006]	-	-	2	647166-2
	TOL K	W	G	L	NO OF POSN PART NO

THIS DRAWING IS A CONTROLLED DOCUMENT. DWG: H. WHITAKER 2-NOV-2001
 CHK: D. BOSSI 14-NOV-2001
 APVD: D. BOSSI 14-NOV-2001

STE TE Connectivity

MTA-100 HEADER ASSEMBLY, SURFACE MOUNT, FRICTION LOCK, .025 SQUARE STRAIGHT POST, TIN OR TIN-LEAD PLATED

SIZE: A1 00779 C=647166
 SCALE: 5:1 SHEET 1 OF 1 REV: 3