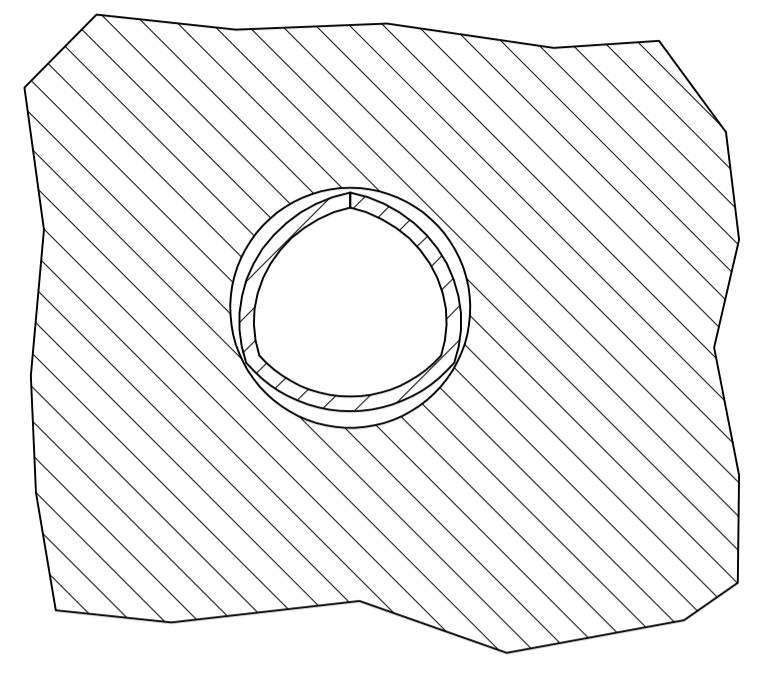
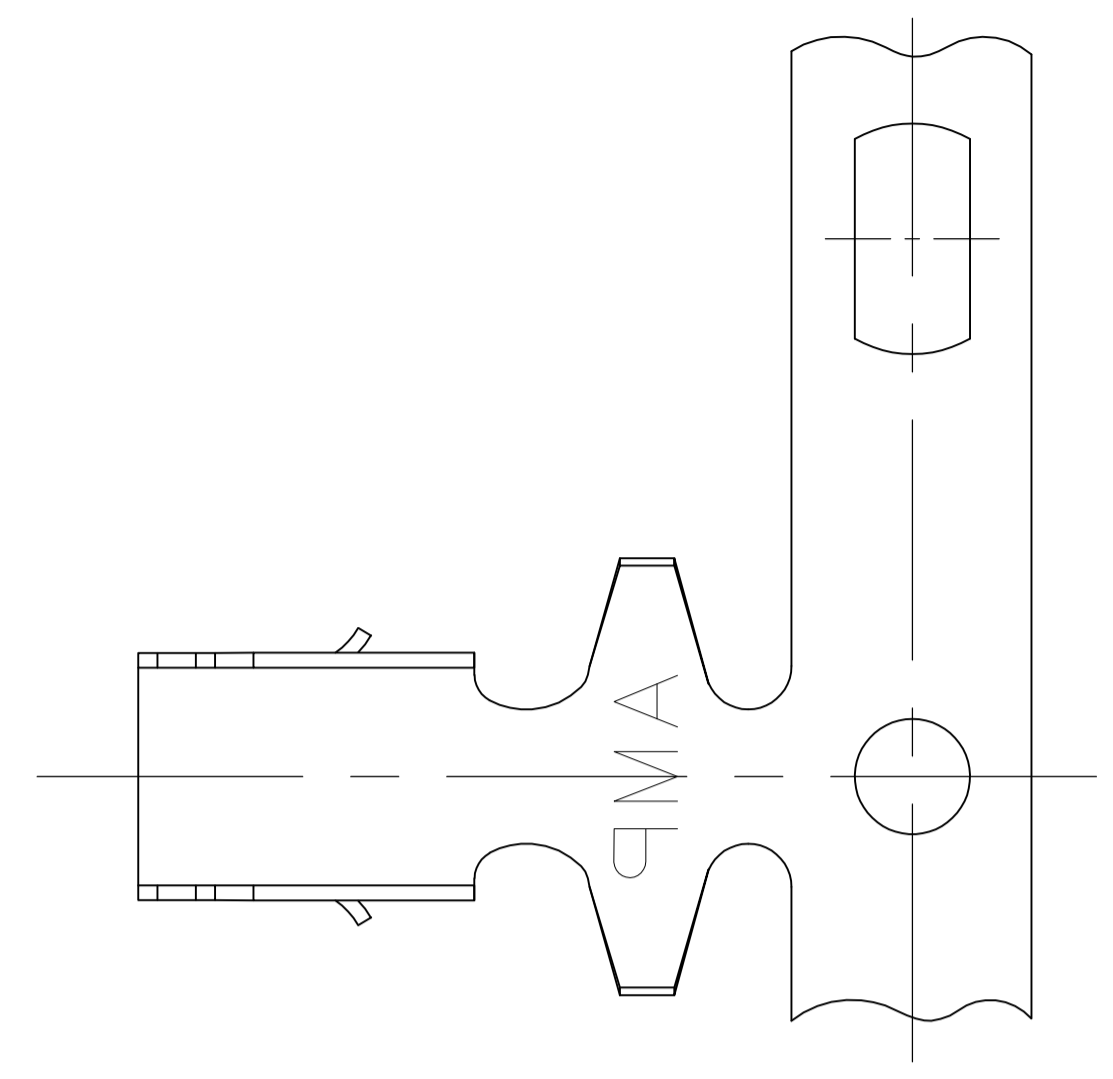
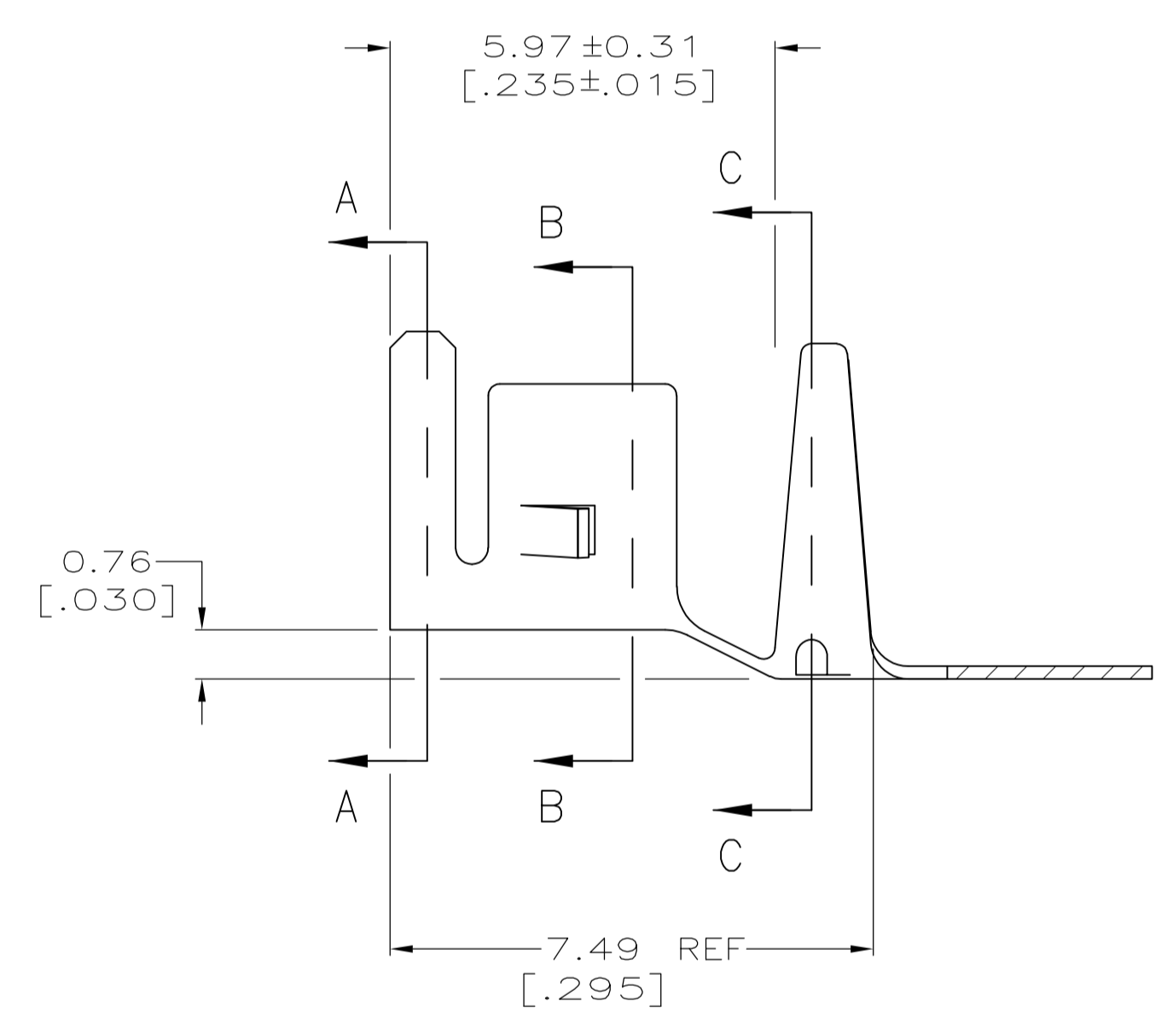


LOC	DIST	REVISIONS				
CM	00	REV	DESCRIPTION	DATE	BY	APPV
		C3	REVISED PER ECO-12-014997	23AUG12	KH	SM

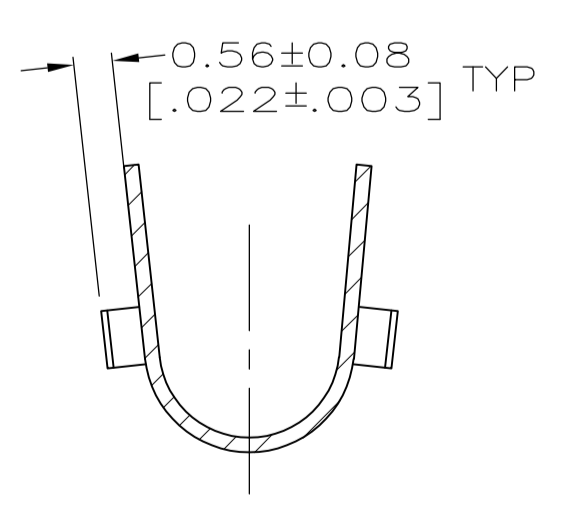
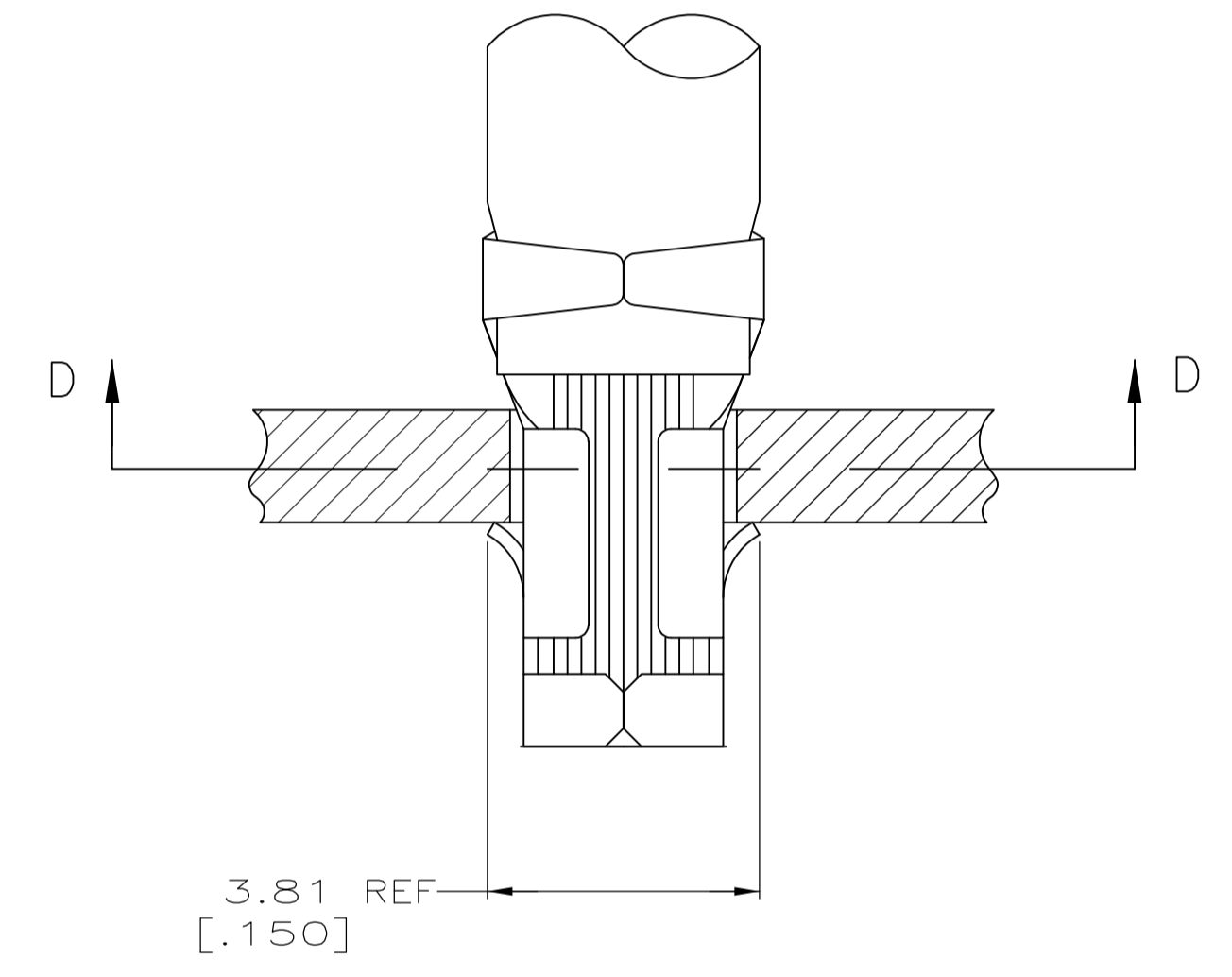
- 1 PARTS COMPLY WITH AMP SOLDERABILITY SPEC 109-11-3.
- 2 WIRE RANGE: 3-5.5 mm² [12-10 AWG].
- 3 INSULATION DIAMETER: 5.08 [.200] MAX.
- 4 DIMENSIONS IN BRACKETS ARE IN INCHES.
- 5 0.00508 [.000200] MIN BRIGHT TIN-LEAD.
- 6 0.00508 [.000200] MIN HALT TIN.



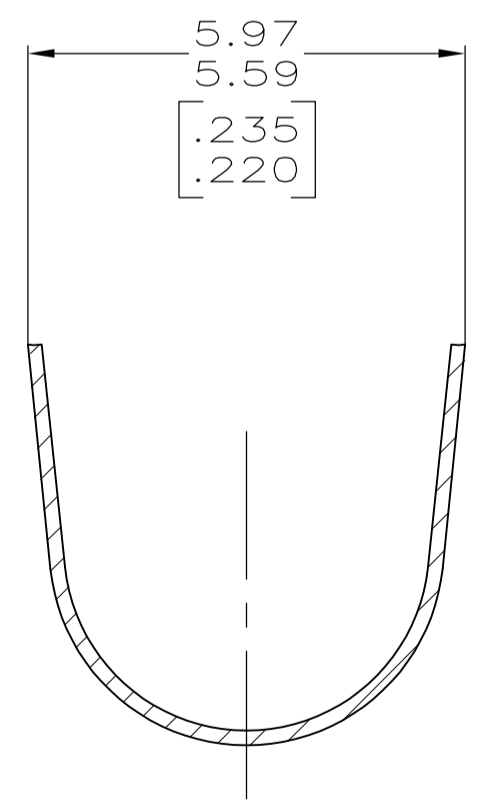
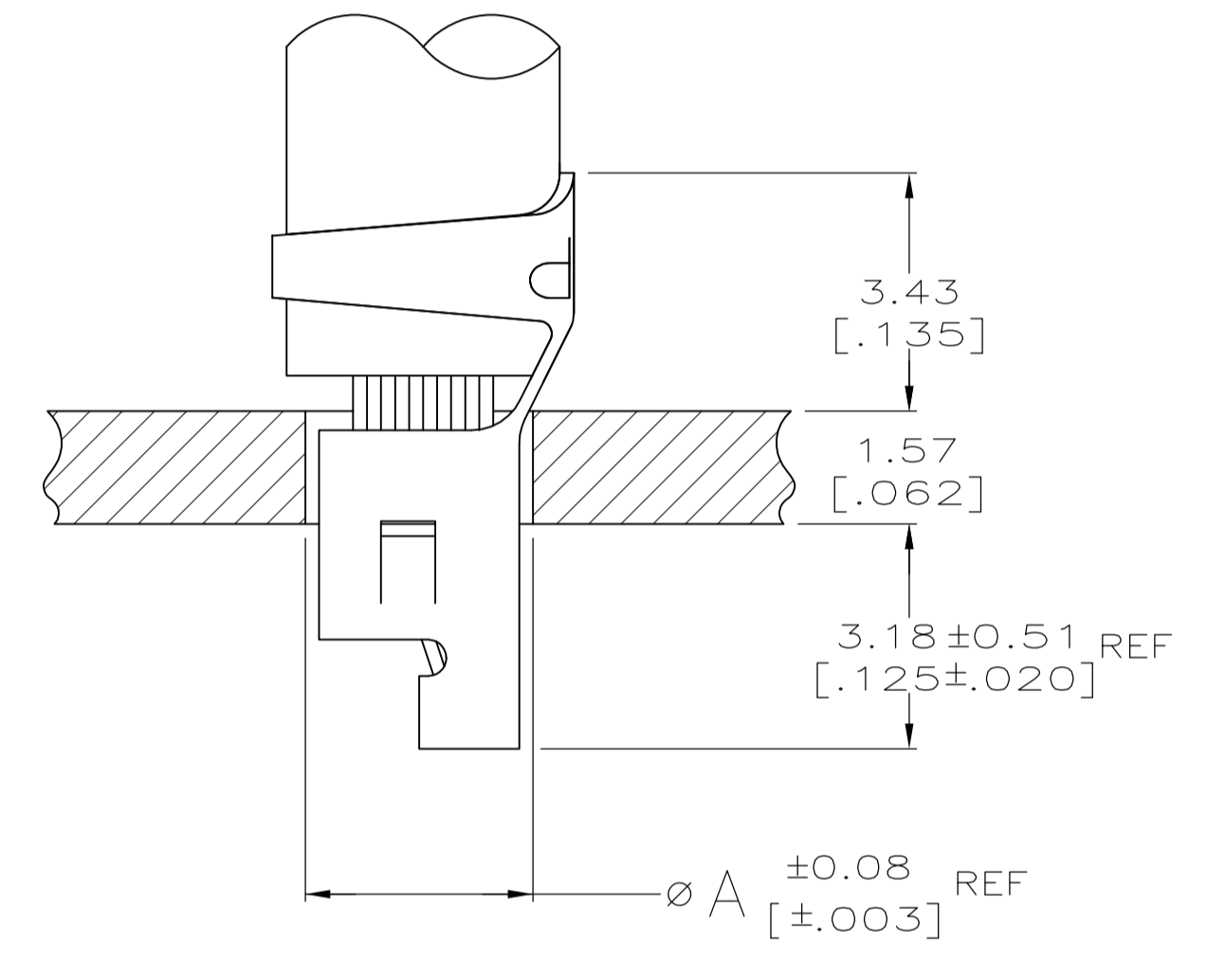
SECTION D-D



SECTION A-A



SECTION B-B



SECTION C-C

3.76 [.148]	10
3.18 [.125]	12
A	AWG

勝特力電材超市-龍山店 886-3-5773766
 勝特力電材超市-光復店 886-3-5729570
 勝特力電子(上海) 86-21-34970699
 勝特力電子(深圳) 86-755-83298787
<http://www.100y.com.tw>

△6	3-794037-1
△5	-794037-1
FINISH	PART NO.

SUPERSEDED BY 3-794037-1

DIMENSIONS:		TOLERANCES UNLESS OTHERWISE SPECIFIED:		FINISH	
INCHES		0 PLC	±	0.198	[.0078] PH BRZ
		1 PLC	±		
		2 PLC	±		
		3 PLC	±	0.13	[.005]
		4 PLC	±		
		ANGLES	±		

METRIC

STE TE Connectivity

TERMINAL, AMP-IN

SIZE	A1	CAGE CODE	00779	DRAWING NO.	794037	RESTRICTED TO	-
CUSTOMER DRAWING		SCALE	10:1	SHEET	1 OF 1	REV	C3