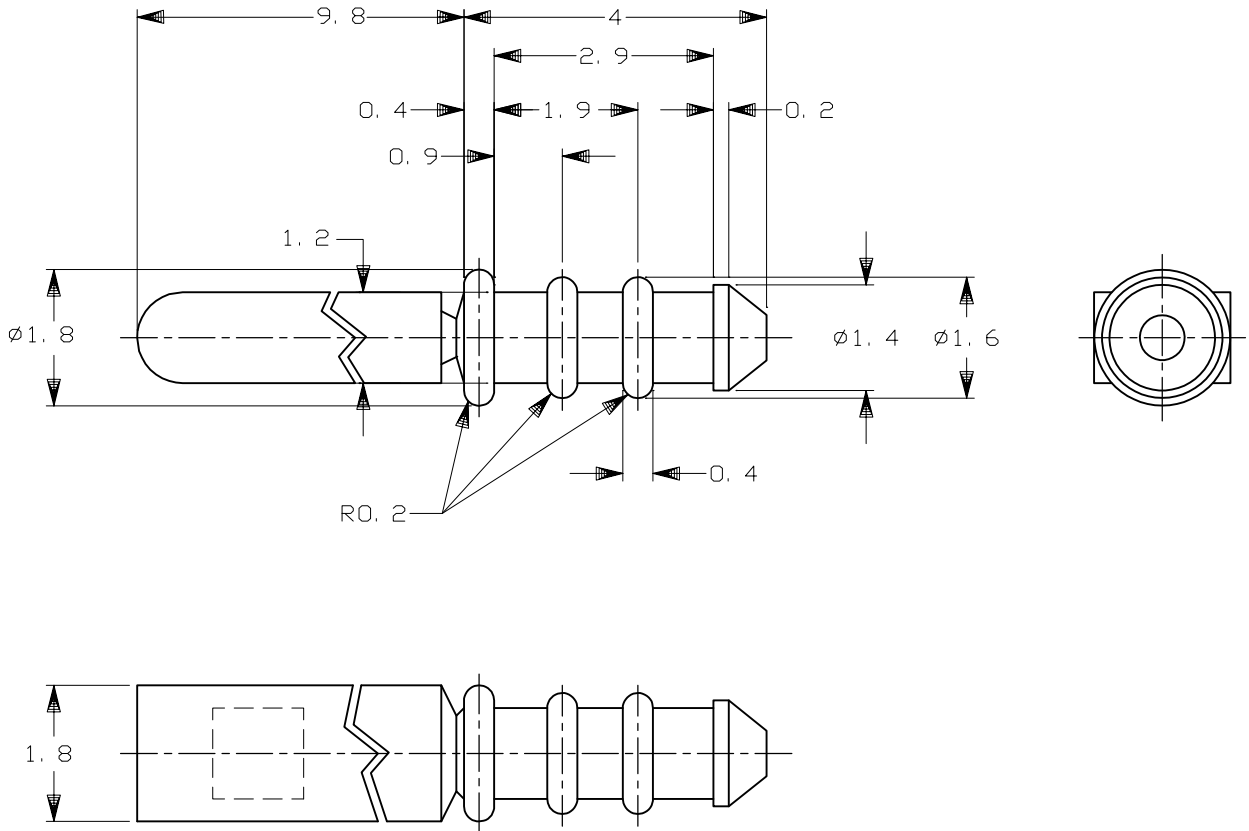


LOC J	DIST —	REVISIONS 變更			DATE	DWN	APVD
		P	LTR	DESCRIPTION			
			B2	REVISED PER ECO-11-005140	29MAR11	RK	HMR

勝特力電材超市-龍山店 886-3-5773766
 勝特力電材超市-光復店 886-3-5729570
 勝特力电子(上海) 86-21-34970699
 勝特力电子(深圳) 86-755-83298787
<http://www.100y.com.tw>

-7: AS SHOWN
-7: 本圖



THIS DRAWING IS UNPUBLISHED. ALL RIGHTS RESERVED.

TOLERANCES UNLESS OTHERWISE SPECIFIED:
一般公差

10 ≥	: ±0.2
30 ≥ > 10	: ±0.25
100 ≥ > 30	: ±0.3
ANGLE	: ±0.3°

DIMENSIONS: 單位：耗 mm	DWN T.SHINOHARA	27OCT06	MATERIAL 材料	PBT, COLOR: YELLOW	FINISH 仕上	—	
	CHK K.BETSUI	27OCT06	TE Connectivity				
TOLERANCES UNLESS OTHERWISE SPECIFIED: 一般公差 0 PLC ± — 1 PLC ± — 2 PLC ± — 3 PLC ± — 4 PLC ± — ANGLES ± —	APVD K.BETSUI	27OCT06					NAME 名稱
	PRODUCT SPEC 製品規格	108-5426	SIZE	CAGE CODE	DRAWING NO 番号	RESTRICTED TO	
	APPLICATION SPEC 取付適用規格	114-5193	A4	00779	C-316390	—	
	WEIGHT	0.01 g	CUSTOMER DRAWING				
			SCALE 尺度	10:1	SHEET	1 OF 1	REV B2

SECURITY CLASSIFICATION: Customer Release NUMBER: 114-5193

114-5193 Application Specification

Crimping of Mini-Multi-lock Connector Contacts

1. Scope :

This specification covers the requirements for crimping of Mini-Multi-lock* Connector tab and receptacle contacts.

2. Applicable Contacts :

The contacts of the following part numbers shall be governed under this specification.

Part Number	Descriptions	Surface Finish
917308	Receptacle Contact	Tin-plated
917309	Tab Contact	Tin-plated

						DR.	4/21 '94	SHEET 1 OF 3	AMP AMP (Japan), Ltd. Kawasaki, Japan		
						CHK.	_____		LOC J LOC A NO. 114-5193 REV. B		
						APP.	4/21 '94			NAME Crimping of Mini-Multi-lock Connector Contacts	
PRINT	DIST.	B	Revised FJ00-0285-97	<i>9/16/97</i>	<i>4/21/94</i>	A	ECN FJ00-1413-94	K.Y. A.T. 16.11.95	A. Tomita		
		LTR	REVISION RECORD	DR	CHK	DATE					

6-24-98

114-5193

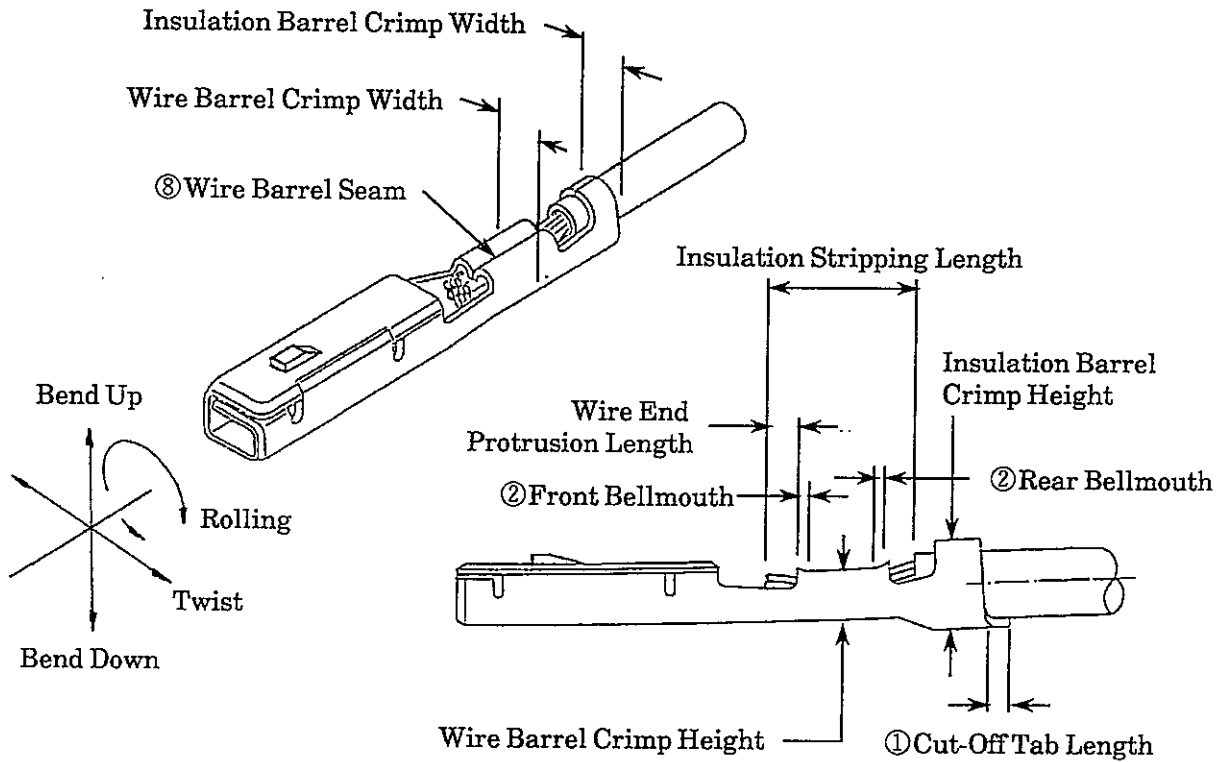
NUMBER:

Customer Release

SECURITY CLASSIFICATION:

3. Product Nomenclature :

For the purpose of this specification, the following nomenclature shall apply.



SHEET 2 OF 3	AMP AMP (Japan), Ltd. Kawasaki, Japan			REV. B
	LOC J	LOC A	NO. 114-5193	
NAME Crimping of Mini-Multi-lock Connector Contacts				

114-5193

NUMBER:

Customer Release

SECURITY CLASSIFICATION:

4. Crimping Conditions :

Paragraph No.	Checking Items	Part Number	Crimping Condition		Remarks
			Receptacle Contact P/N 917308	Tab Contact P/N 917309	
1	Cut-Off Tab length		0~0.5 mm		
2	Bellmouth	Front	0.2 max.		
		Rear	0.5 max.		
3	Deformation after Crimping	Bend	±4° max.		
		Twist	±3° max.		
		Rolling	±5° max.		
4	Wire End Protrusion Length		0~1 mm		
5	Insulation Stripping Length		3.5 mm (*1)		
6	Wire Barrel Seam		Wire barrel seam must be neatly closed.		

*1. In case of CAVUS, Insulation Stripping Length is 3 mm.

5. Crimp Data :

Contact Part Number (Strip Form)	Wire Size (Nominal)	Applicator Number	Wire Barrel Crimp			Insulation Barrel Crimp (mm)			Srimp Tensile Strength (kg) (min.)
			Width	Height	Disc. Ltr.	Width	Height	Disc. Ltr.	
917308	0.3	715788-2	1.27	0.9	B	1.45	1.9	4	6.0
917309	0.5			1.02	A				9.0

6. Applicable Wires :

Nominal Wire Size	Number of Conductors/ Diameter of a Conductor	Calculated Cross-sectional Area (mm ²)	AVSS / CAVS	
			Standard	Maximum
0.3	7/0.26	0.37	1.4	1.5
0.5	7/0.32	0.56	1.6	1.7

SHEET 3 OF 3	AMP AMP (Japan), Ltd. Kawasaki, Japan			NO. 114-5193	REV. B
	LOC J	LOC A			
NAME Crimping of Mini-Multi-lock Connector Contacts					