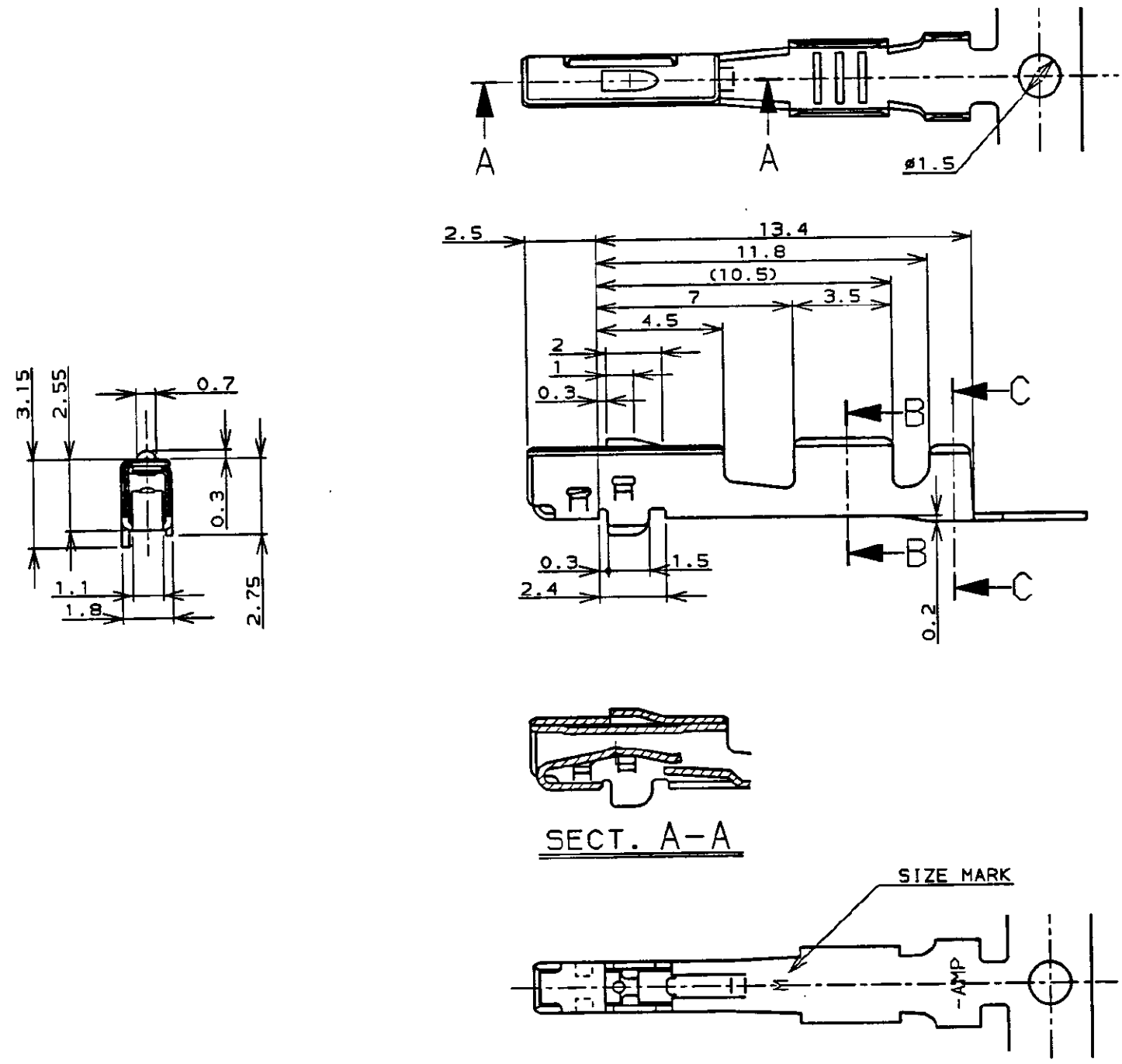


LOC		DIST		REVISIONS				
P	LTR	DESCRIPTION	ECN	DATE	DWN	APVD		
	0	DRAWN	FJ00-4529-95	4/24 '96	JY	MS		



注記,  
 1. 適用電線 : AVSS,CAVS 0.85-1.25mm<sup>2</sup>  
           AVS 0.5mm<sup>2</sup>, CAVUS 1.25mm<sup>2</sup>  
 2. 取付適用規格番号 ; 114-5217

NOTES;  
 1. APPLICABLE WIRE RANGE ;  
       AVSS,CAVS 0.85-1.25mm<sup>2</sup>  
       AVS 0.5mm<sup>2</sup>, CAVUS 1.25mm<sup>2</sup>  
 2. APPLICATION SPEC NO ; 114-5217

DIMENSIONS: 単位: 毫 mm		TOLERANCES UNLESS OTHERWISE SPECIFIED	
		一般公差 10% : ±0.2 30 : ±0.25 100 : ±0.3 ANGLE : ±3°	
MATERIAL 材料 Cu ALLOY 銅合金		FINISH 仕上 SEE TABLE 表参照	

DWN J. Kobayashi 4/24 '96
CHK J. Kobayashi 4/25 '96
APVD N. Sai 4/25 '96
PRODUCT SPEC 製品規格 - H -
APPLICATION SPEC 取付適用規格 114-5217
WEIGHT 0.3g
CUSTOMER DRAWING

PRE-TIN (すずめっき済)	316838-1
FINISH (仕上)	PART NUMBER (型番)
<b>AMP</b> 日本エー・エム・ピー株式会社 Kawasaki, Japan	
.040 III UNSEALED CONTACT, RECEPTACLE (M) Sn	
SIZE A3	CAGE CODE 00779
DRAWING NO 番号 C-316838	
SCALE 尺度 5-1	SHEET 1 OF 1 REV 0

# Mouser Electronics

Authorized Distributor

Click to View Pricing, Inventory, Delivery & Lifecycle Information:

[TE Connectivity:](#)

[316838-1](#)