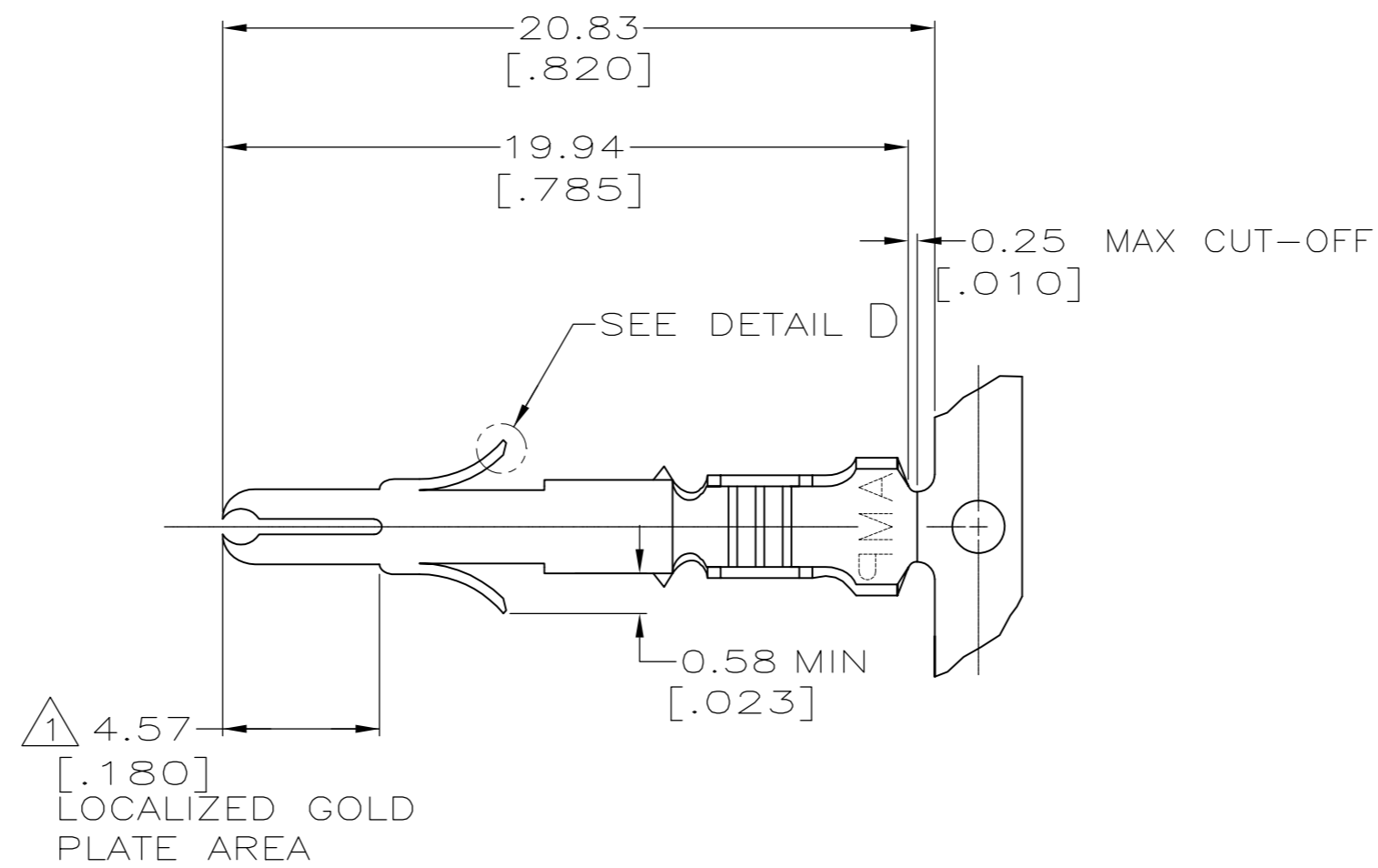


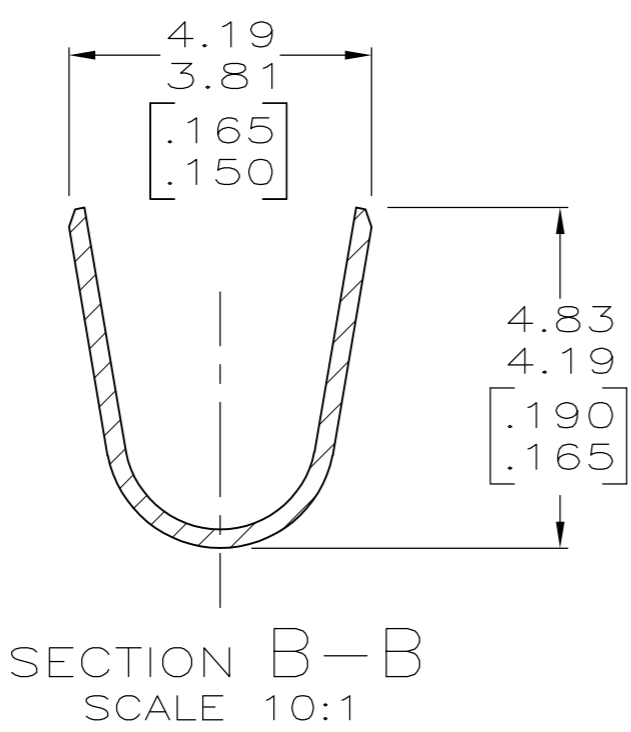
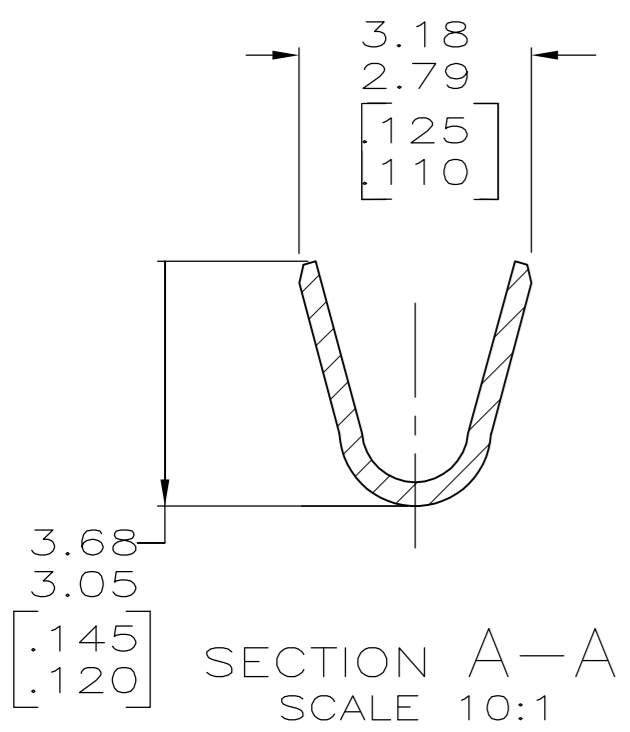
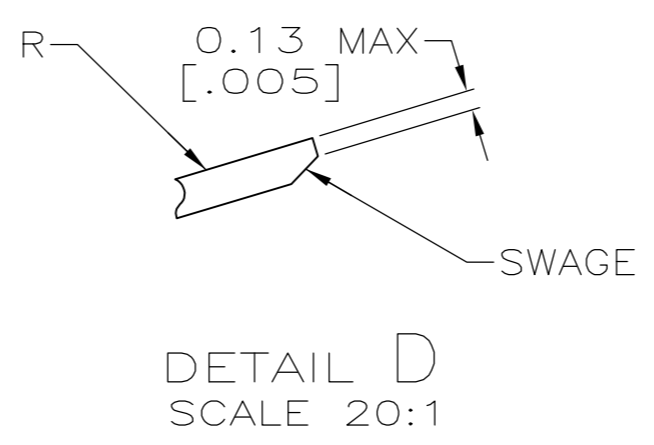
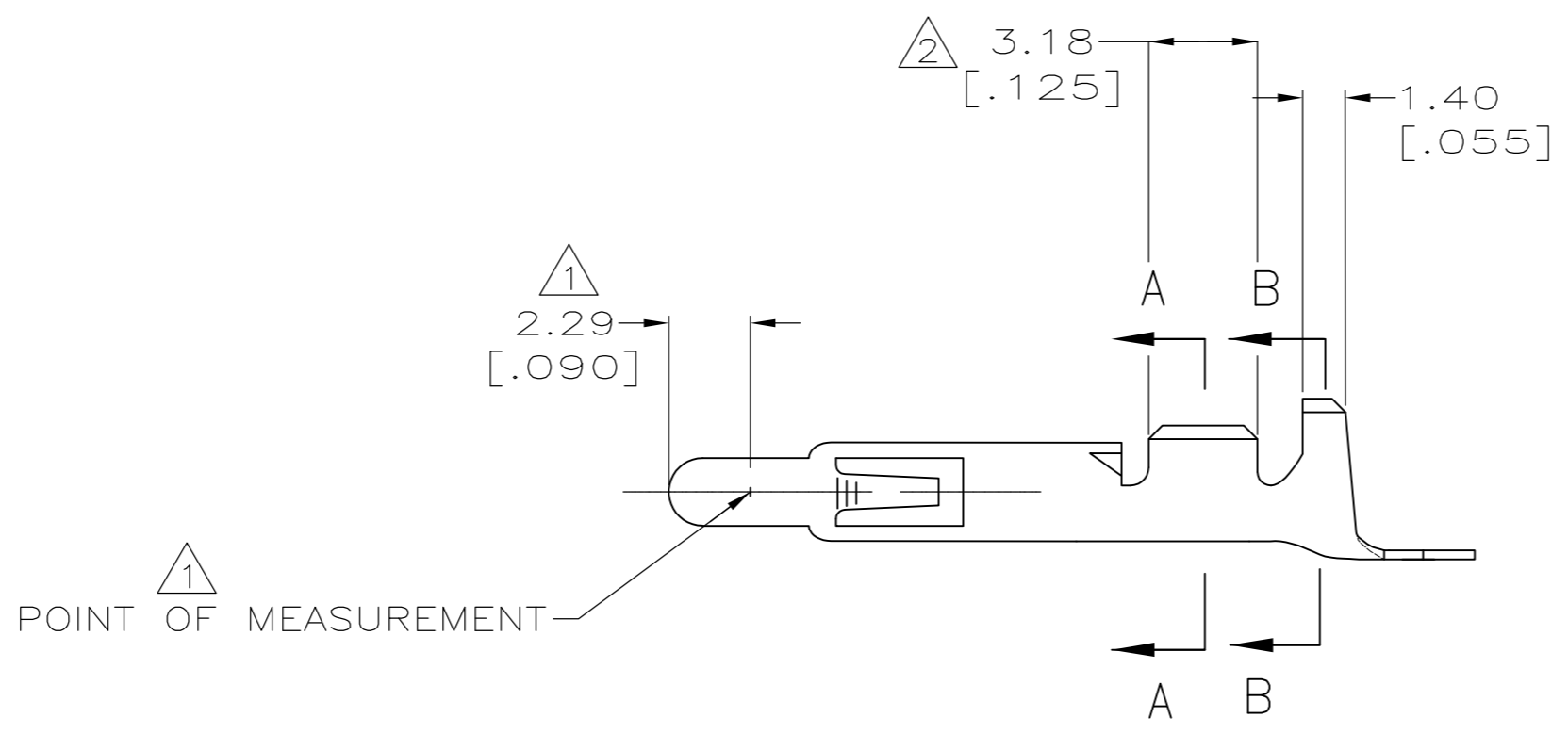
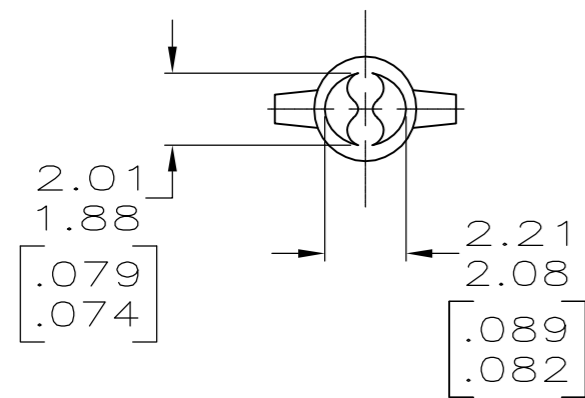
THIS DRAWING IS UNPUBLISHED. RELEASED FOR PUBLICATION  
 © COPYRIGHT - By - ALL RIGHTS RESERVED.

LOC	DIST	REVISIONS					
CM	53	P	LTR	DESCRIPTION	DATE	DWN	APVD
		AA		REVISED PER ECR-16-002894	24MAR2016	BW	EW



- 1 PLATED WITH 0.00076 [.000030] GOLD, OVER 0.00127 [.000050] NICKEL UNDERPLATE.
- 2 PLATED INTERNALLY WITH 0.00076 [.000030] GOLD.
- 3 DIMENSIONS IN BRACKETS ARE IN INCHES.
- 4 PRELIMINARY, NOT FOR PRODUCTION.
- 5 INSULATION RANGE: 1.52-3.30 [.060-.130] DIA.

**勝特力材料 886-3-5753170**  
**勝特力电子(上海) 86-21-34970699**  
**勝特力电子(深圳) 86-755-83298787**  
[Http://www.100y.com.tw](http://www.100y.com.tw)



LOOSE PIECE (REF)	MATERIAL	FINISH	PART NUMBER
4	0.31 [.012] BE CU	PRE-TIN	350687-9
4	0.31 [.012] BRASS	GOLD 1	350687-7
4	0.31 [.012] PH BRZ	GOLD 1	350687-5
350705-2	0.31 [.012] BRASS	GOLD 1 2	350687-2
350705-1	0.31 [.012] BRASS	PRE-TIN	350687-1

THIS DRAWING IS A CONTROLLED DOCUMENT.		DWN K. WHITAKER 12-MAY-2000	<b>STE</b> TE Connectivity	
DIMENSIONS: mm [INCHES]		CHK K. COBLE 12-MAY-2000		
TOLERANCES UNLESS OTHERWISE SPECIFIED:		APVD K. COBLE 12-MAY-2000	NAME	
0 PLC ± -	1 PLC ± -	PRODUCT SPEC	PIN,	
2 PLC ± 0.13 [.005]	3 PLC ± -	APPLICATION SPEC	UNIVERSAL MATE-N-LOK™	
4 PLC ± -	4 ANGLES ± 0° 30'	WEIGHT	SIZE A2	CAGE CODE 00779
WIRE RANGE 20-14 AWG		CUSTOMER DRAWING	DRAWING NO C=350687	RESTRICTED TO -
MATERIAL -		SCALE 5:1		SHEET 1 of 1
FINISH -		REV AA		

# Mouser Electronics

Authorized Distributor

Click to View Pricing, Inventory, Delivery & Lifecycle Information:

[TE Connectivity:](#)

[350687-1](#)