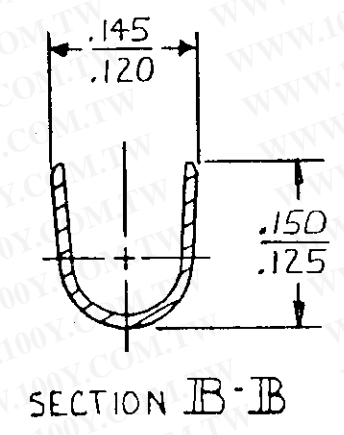
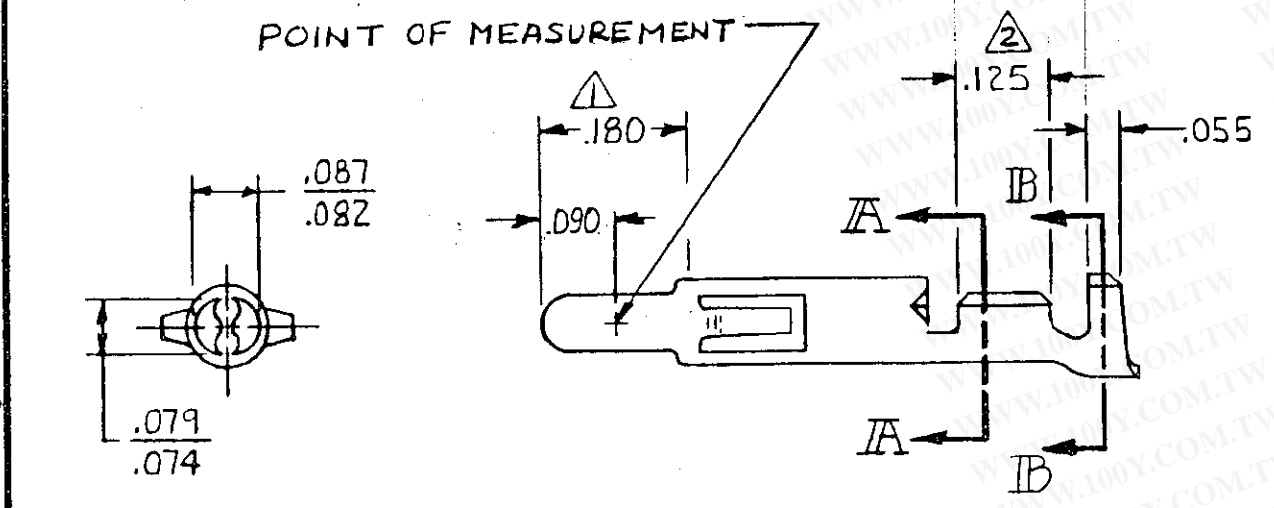
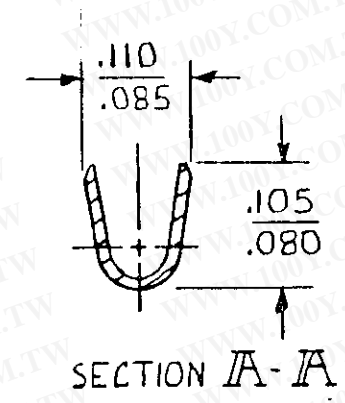
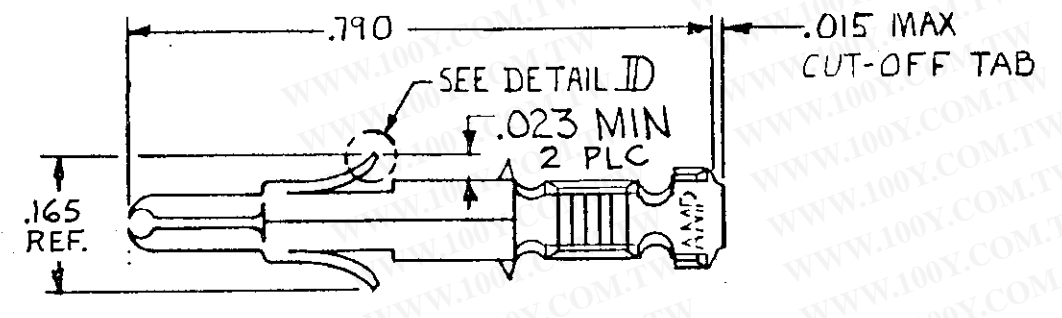
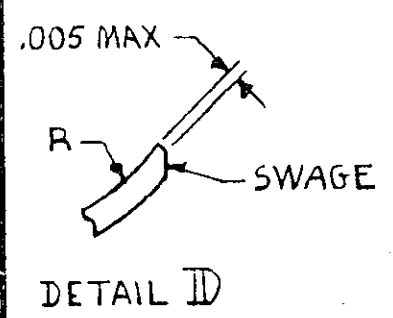


© COPYRIGHT 1975 BY AMP INCORPORATED, HARRISBURG, PA.
ALL INTERNATIONAL RIGHTS RESERVED. AMP INCORPORATED PRODUCTS
COVERED BY U. S. AND FOREIGN PATENTS AND/OR PATENTS PENDING.

REVISIONS						
P.	F.	ZONE	LTR	DESCRIPTION	DATE	APPROVED
✓	✓		D	REDRAWN & UPDATED	M-6457	6-8-81 MSF/SH
✓	✓		E	REVISED	M-7350	7/25/83 DAS/SH
✓	✓		F	REVISED	AG 57	10/21/83 SO W. JAMES S. JAMES
✓	✓		FI	RESTORED		4/23/85 MC/KS
✓	✓		G	REVISED PER CM-1728		9-6-88 PH/TB
			H	REV PER EC 0730-3607-91		1-7-94 RV/RS



勝特力材料 886-3-5753170
勝特力电子(上海) 86-21-34970699
勝特力电子(深圳) 86-755-83298787
[Http://www.100y.com.tw](http://www.100y.com.tw)

- △ PLATED WITH .000030 GOLD, OVER .000050 NICKEL UNDER PLATE.
- △ PLATED INTERNALLY WITH .000030 GOLD.

MATERIAL	FINISH	PART NO
.012 BRASS	GOLD △1	350706-7
.012 BRASS	GOLD △1/2	350706-2
	PRE-TIN	350706-1

UNLESS OTHERWISE SPECIFIED DIMENSIONS ARE IN INCHES. TOLERANCES ON: DECIMALS ±.015 ANGLES ±	CONTRACT NO	AMP AMP INCORPORATED Harrisburg, Pa.		
	DR	NAME		
	CHK	SPLIT PIN, (LOOSE PIECE) UNIVERSAL MATE-N-LOK		
	APPD	SIZE	CODE IDENT NO	DRAWING NO
WIRE RANGE	DSGN APPD	B	00779	350706
INSULATION RANGE	OTHER APPD	SCALE 4-1	SHEET	
24-18 AWG				
.100 DIA MAX				