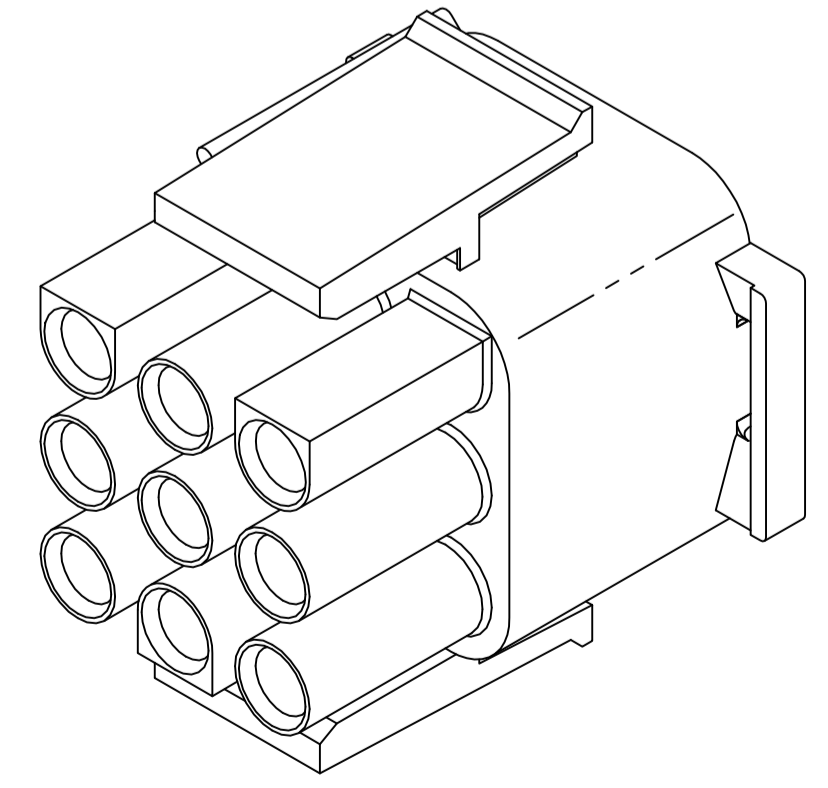
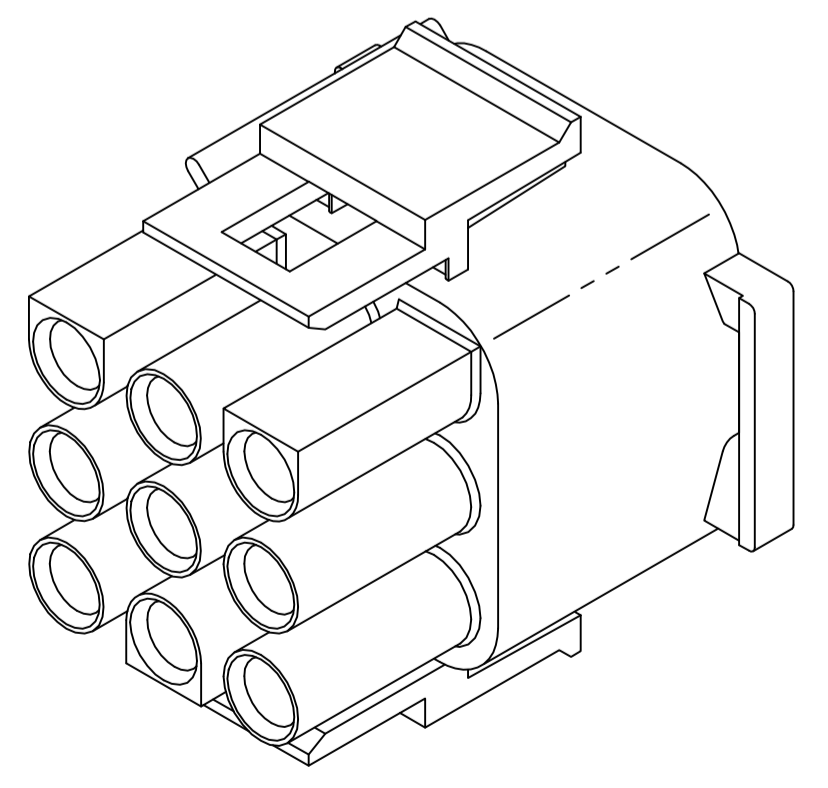
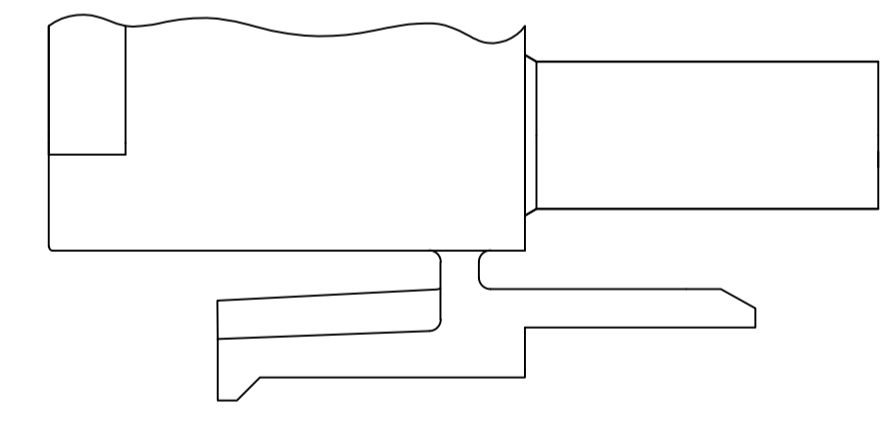
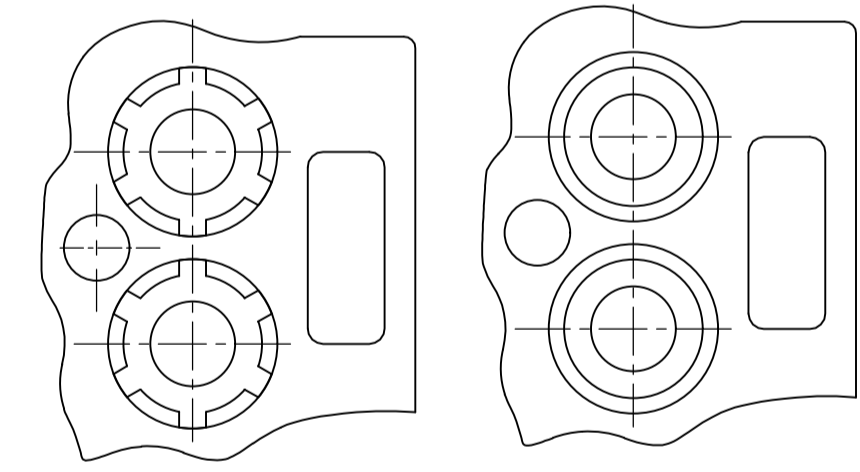
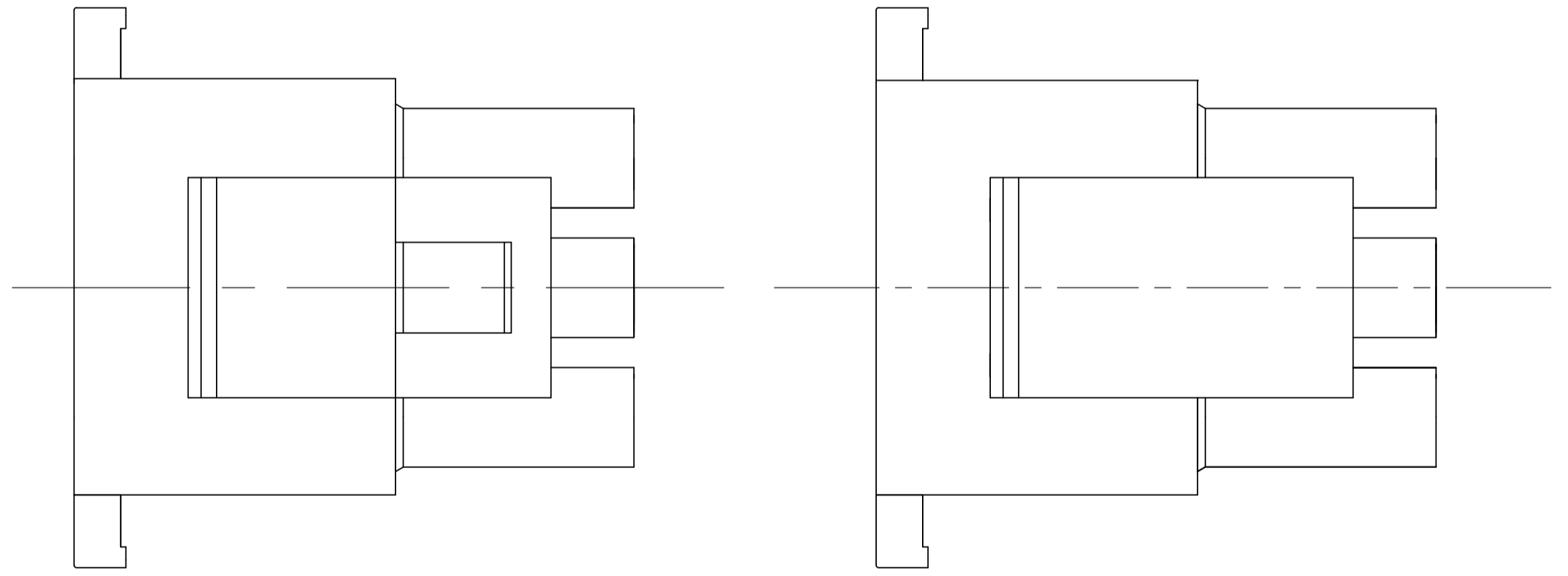


- MATES WITH APPROPRIATE UNIVERSAL MATE-N-LOK CAP OR HEADER.
- SMALL NICKS ARE PERMITTED ON THE CIRCUIT TOWERS WHICH COULD INCREASE THE INITIAL HOUSING MATING FORCE BY UP TO 4.4 NEWTONS [1.0] LBS. NO INDIVIDUAL NICKED TOWER SHALL INCREASE THIS FORCE BY OVER 2.2 NEWTONS [.5] LBS.
- DIMENSIONS SHOWN REPRESENT PRODUCT IN DRY, AS MOLDED, CONDITION. ADDITIONAL 2% GROWTH DUE TO SUBSEQUENT MOISTURE ABSORPTION MAY OCCUR AND SHOULD BE ACCOUNTED FOR.
- FOUR RIBS EQUALLY SPACED, NO SPECIFIC ORIENTATION, NO RIBS OR SIX RIBS EQUALLY SPACED, NO SPECIFIC ORIENTATION, OPTIONAL.
- NOT MANUFACTURED IN THE UNITED STATES.
- UNDERWRITERS RECOGNIZED COMPONENT LOGO AND CSA CERTIFICATION LOGO TO BE LOCATED ONCE ON EACH SIDE OF HOUSING.
- NYLON, UL94V-0.

勝特力電材超市-龍山店 886-3-5773766
 勝特力電材超市-光復店 886-3-5729570
 勝特力電子(上海) 86-21-34970699
 勝特力電子(深圳) 86-755-83298787
<http://www.100y.com.tw>



BLACK	1-350720-9
GRAY	1-350720-8
BLUE	1-350720-6
GREEN	1-350720-5
YELLOW	1-350720-4
ORANGE	1-350720-3
RED	1-350720-2
BROWN	1-350720-1
NATURAL	350720-4
NATURAL	350720-1
COLOR	PART NUMBER

THIS DRAWING IS A CONTROLLED DOCUMENT.		DRN S. HAMM 07JUN01	TE Connectivity	
DIMENSIONS: mm [INCHES]		CHK S. RIDGILL 07JUN01	NAME PLUG, 9 CIRCUIT, UNIVERSAL MATE-N-LOK	
TOLERANCES UNLESS OTHERWISE SPECIFIED:		APVD S. RIDGILL 07JUN01	PRODUCT SPEC	
0. PLC ± -		APPLICATION SPEC		
1. PLC ± -		SIZE		
2. PLC ± 0.13 [.005]		CAGE CODE		
3. PLC ± -		DRAWING NO		
4. PLC ± -		RESTRICTED TO		
ANGLES ± *30'		A1 00779 C=350720		
MATERIAL	FINISH	WEIGHT	SCALE	SHEET
-	-	-	4:1	1 OF 1
CUSTOMER DRAWING		REV AA5		

Mouser Electronics

Authorized Distributor

Click to View Pricing, Inventory, Delivery & Lifecycle Information:

[TE Connectivity:](#)

[350720-1](#)