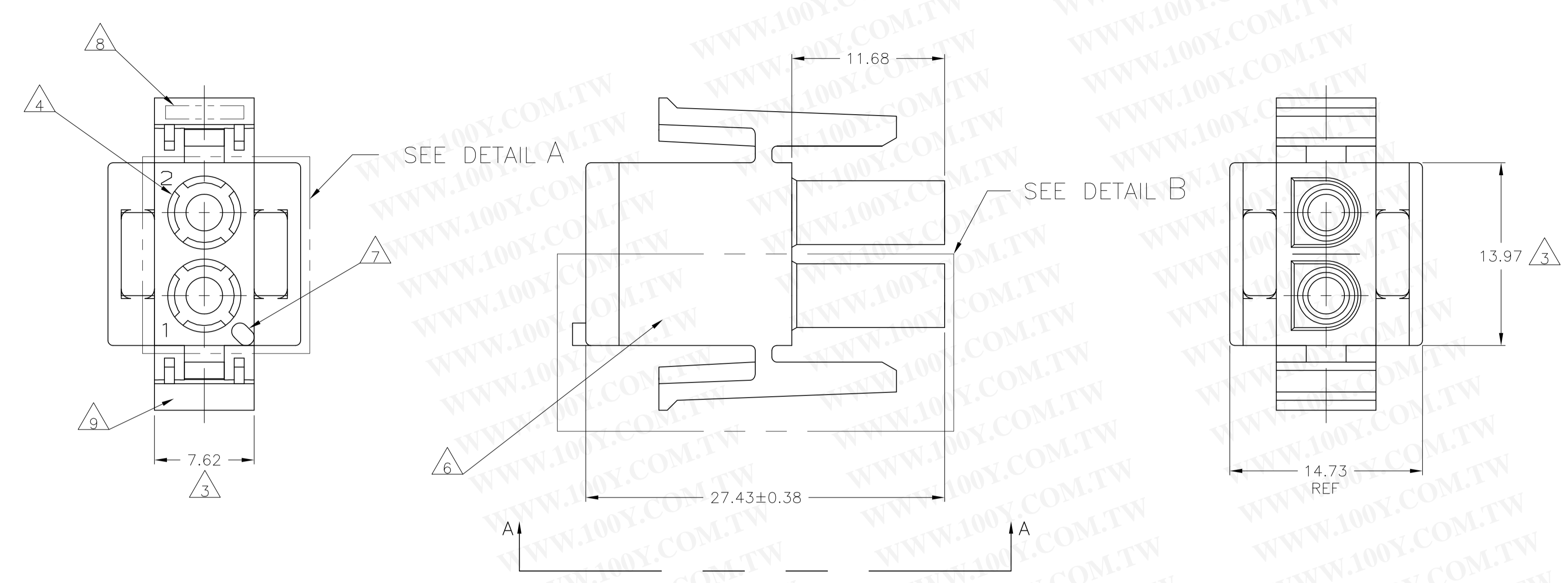
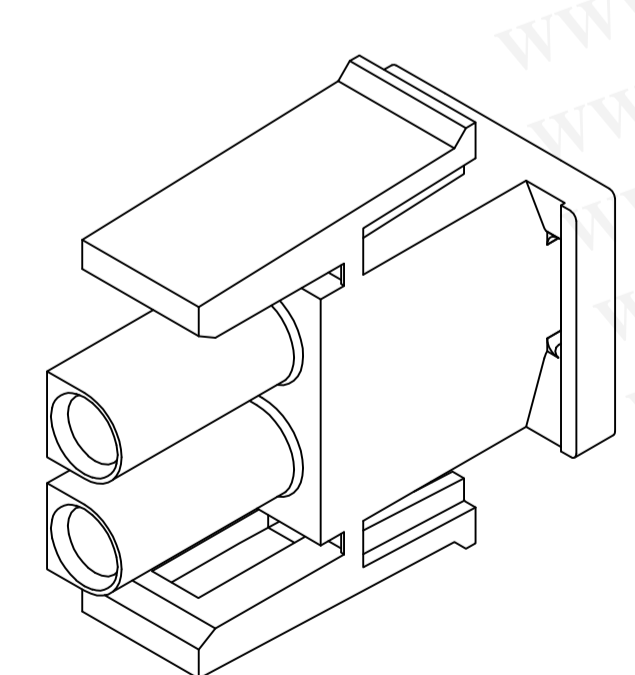
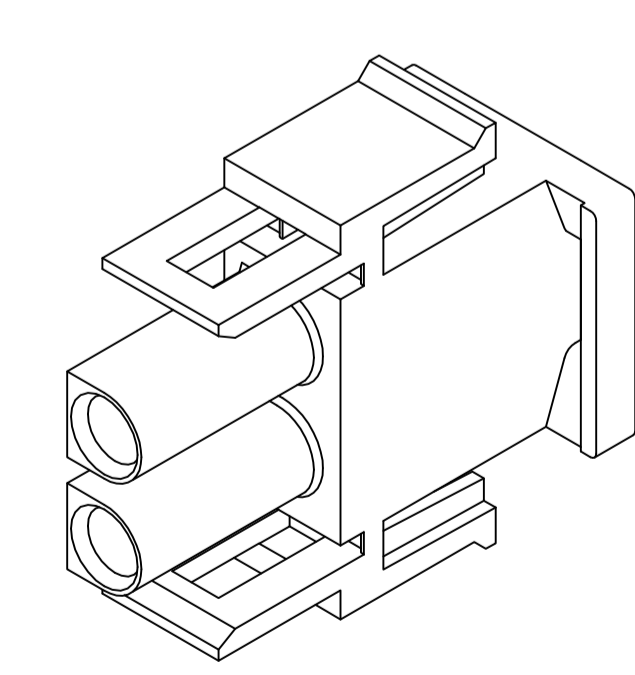
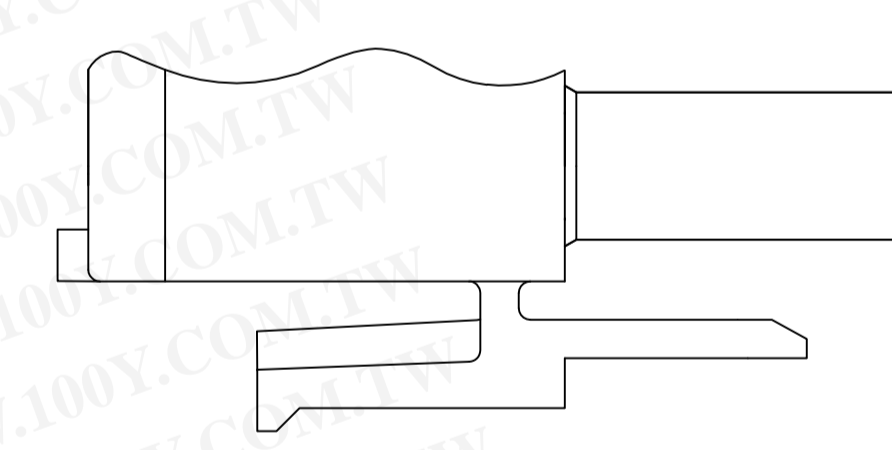
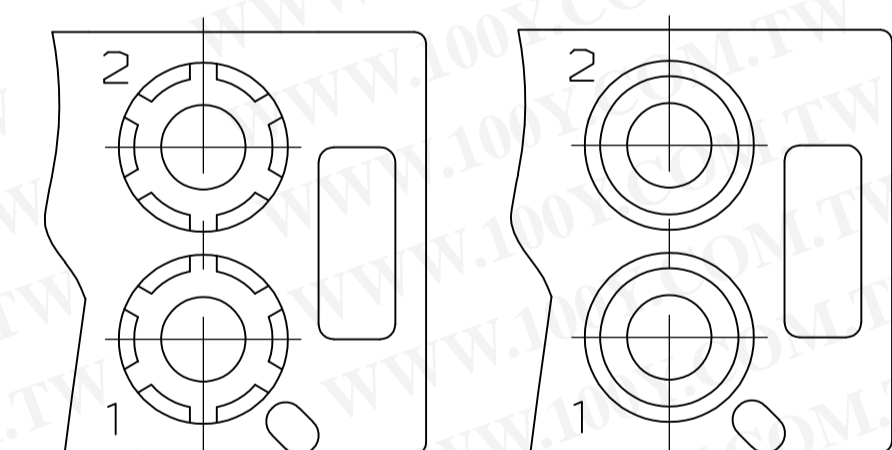


LOC		DIST		REVISIONS				
P	LTR	DATE	BY	APVD	DESCRIPTION	DATE	BY	APVD
AC	REVISED PER	ECR-13-007626	09AUG13	KH	TM			



- 1 MATES WITH APPROPRIATE UNIVERSAL MATE-N-LOK™ CAP OR HEADER.
- 2 SMALL NICKS ARE PERMITTED ON THE CIRCUIT TOWERS WHICH COULD INCREASE THE INITIAL HOUSING MATING FORCE BY UP TO 4.4 NEWTONS [1.0] LBS. NO INDIVIDUAL NICKED TOWER SHALL INCREASE THIS FORCE BY OVER 2.2 NEWTONS [.5] LBS.
- 3 DIMENSION INDICATED IS AS MOLDED. ADDITIONAL GROWTH DUE TO SUBSEQUENT MOISTURE ABSORPTION MAY OCCUR.
- 4 FOUR RIBS EQUALLY SPACED, NO SPECIFIC ORIENTATION, NO RIBS OR SIX RIBS EQUALLY SPACED, NO SPECIFIC ORIENTATION, OPTIONAL.
- 5 NOT MANUFACTURED IN U.S.
- 6 UNDERWRITERS RECOGNIZED COMPONENT LOGO AND CSA CERTIFICATION LOGO TO BE LOCATED ONCE ON ANY SIDE OF HOUSING.
- 7 POSITION #1 LOCATOR FEATURE MAY BE ROUND OR OBLONG (AS DEPICTED).
- 8 TRADEMARK LOCATION (AMP OR TE CONNECTIVITY) SHOWN FOR CONVENIENCE, LOGO MAY BE ON ANY EXTERNAL SURFACE.
- 9 MANUFACTURING LOCATION ID (OPTIONAL).



MM	IN
27.43	1.080
14.73	.580
13.97	.550
11.68	.460
7.62	.300
0.38	.015
0.13	.005

CONVERSION TABLE

350777-4 3-DIMENSIONAL MODEL NTS

3-DIMENSIONAL MODEL NTS

勝特力材料 886-3-5753170
 勝特力电子(上海) 86-21-34970699
 勝特力电子(深圳) 86-755-83298787
[Http://www.100y.com.tw](http://www.100y.com.tw)

BLACK	1-350777-9
GRAY	1-350777-8
BLUE	1-350777-6
GREEN	1-350777-5
YELLOW	1-350777-4
ORANGE	1-350777-3
RED	1-350777-2
BROWN	1-350777-1
	350777-4
NATURAL	350777-1
COLOR	PART NUMBER

DIMENSIONS:		TOLERANCES UNLESS OTHERWISE SPECIFIED:		APPROVED		NAME	
mm		0. PLC	± -	DIN R VESTAL	24JAN95	R SWING	24JAN95
		1. PLC	± -	D. SELF	24JAN95	PRODUCT SPEC	
		2. PLC	± 0.13	APPLICATION SPEC			
		3. PLC	± -				
		4. PLC	± -				
		ANGLES	± 0.30°				
MATERIAL	FINISH	WEIGHT		SIZE	CAGE CODE	DRAWING NO	RESTRICTED TO
NYLON,	-	-		A1	00779	350777	-
CUSTOMER DRAWING				SCALE	4:1	SHEET	1 of 1

STE TE Connectivity

PLUG,
2 CIRCUIT,
UNIVERSAL MATE-N-LOK(TM)