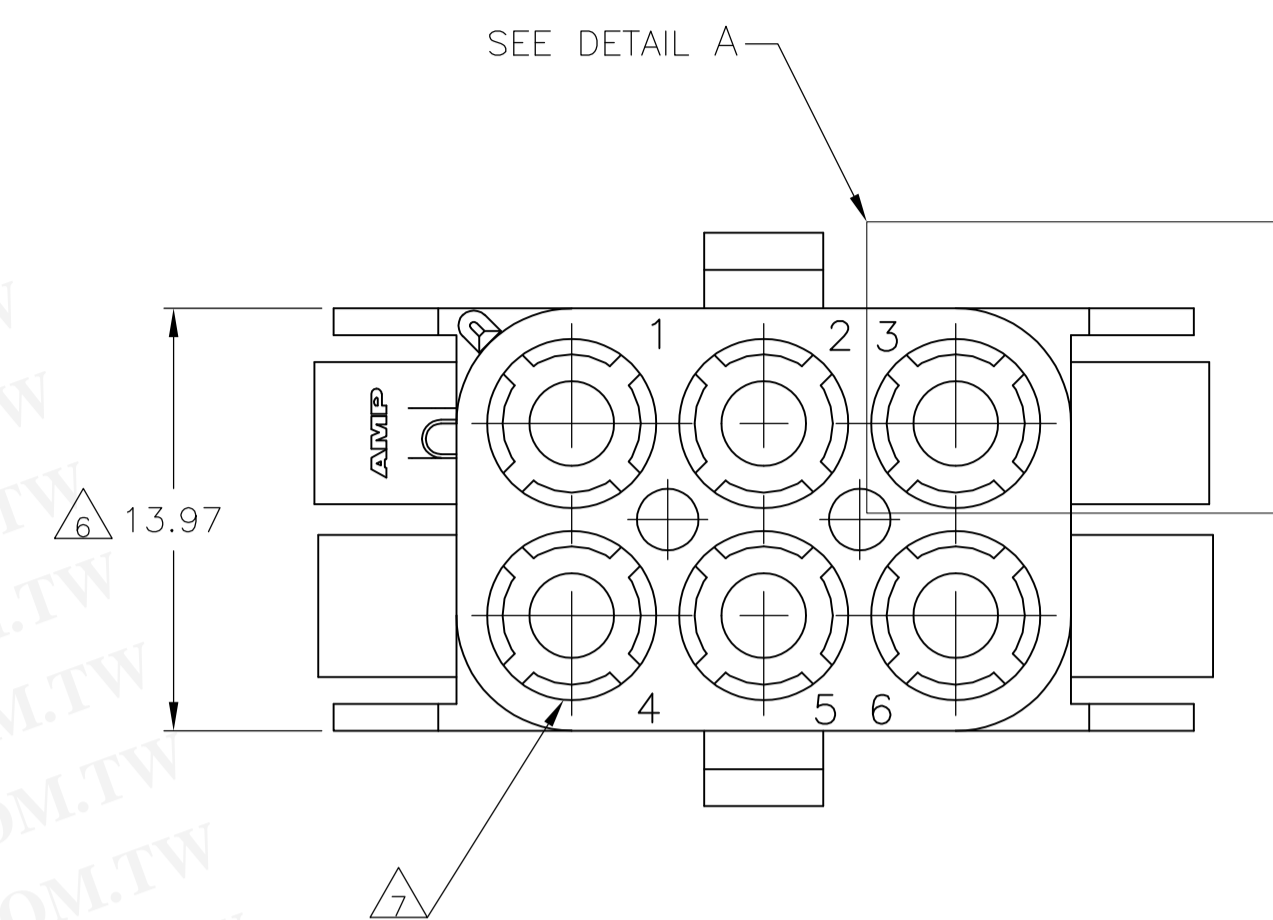
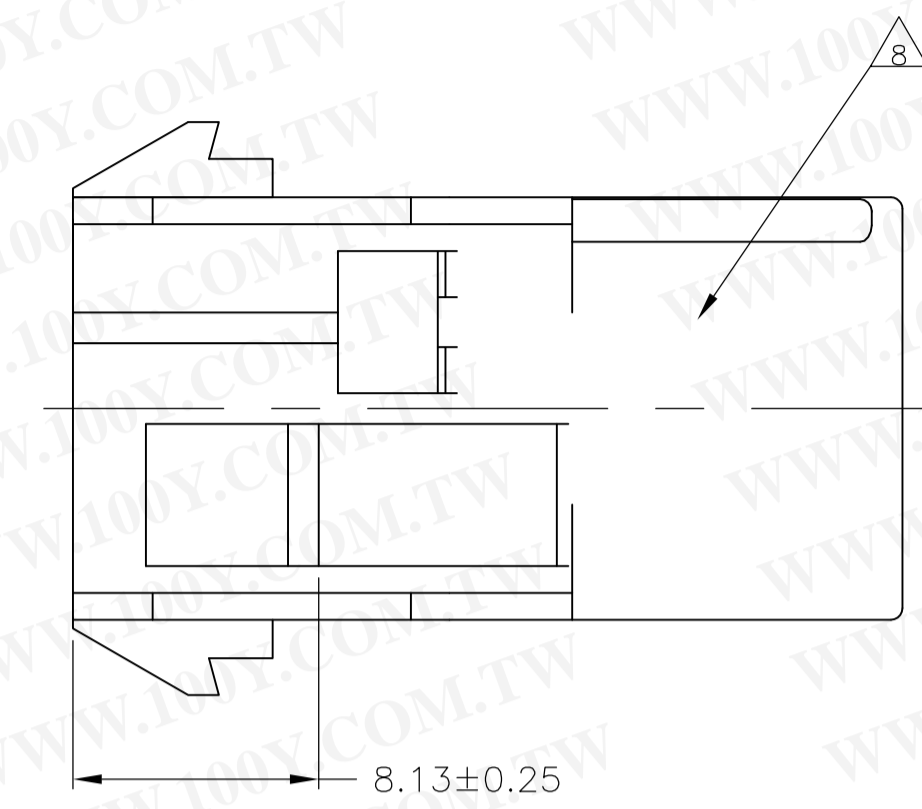
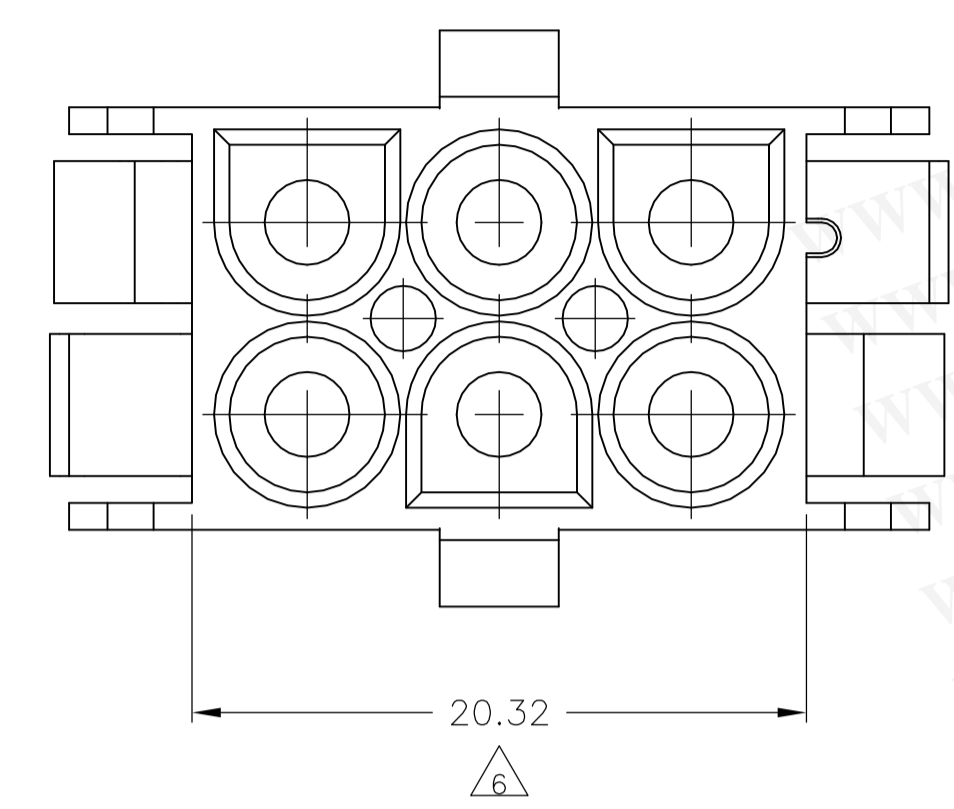
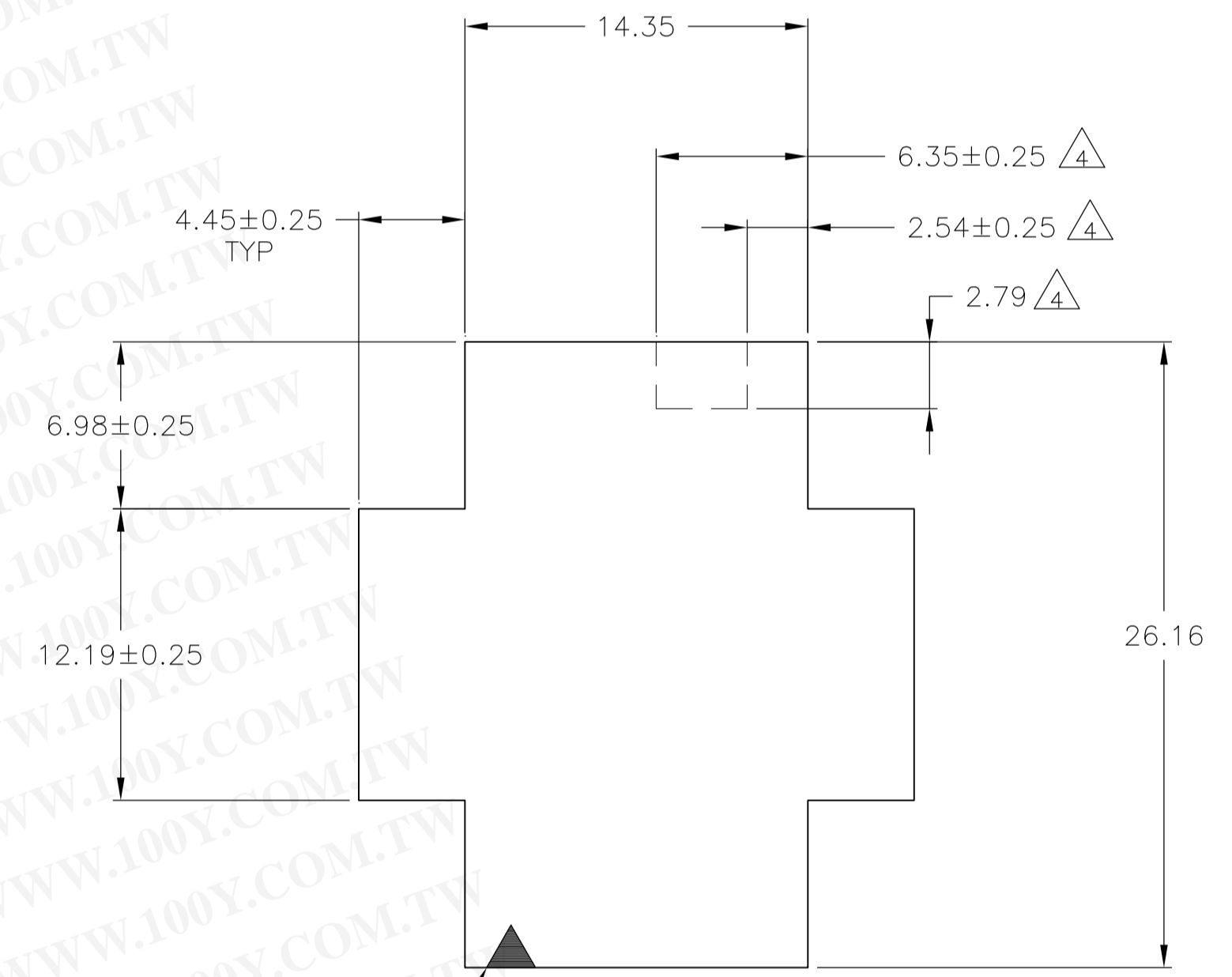
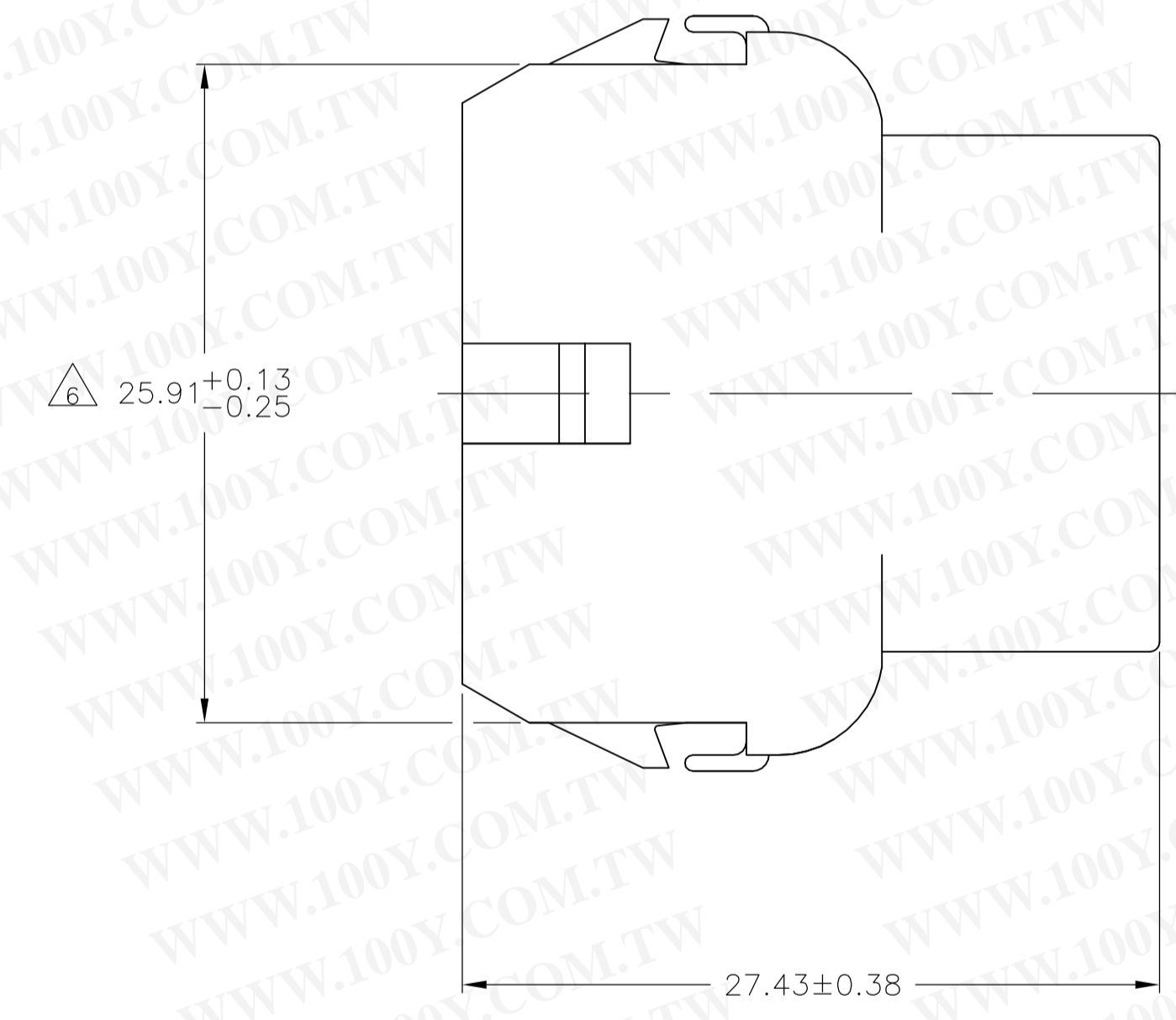
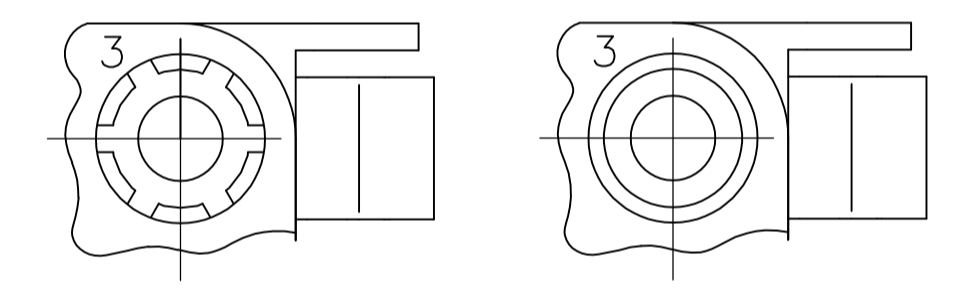


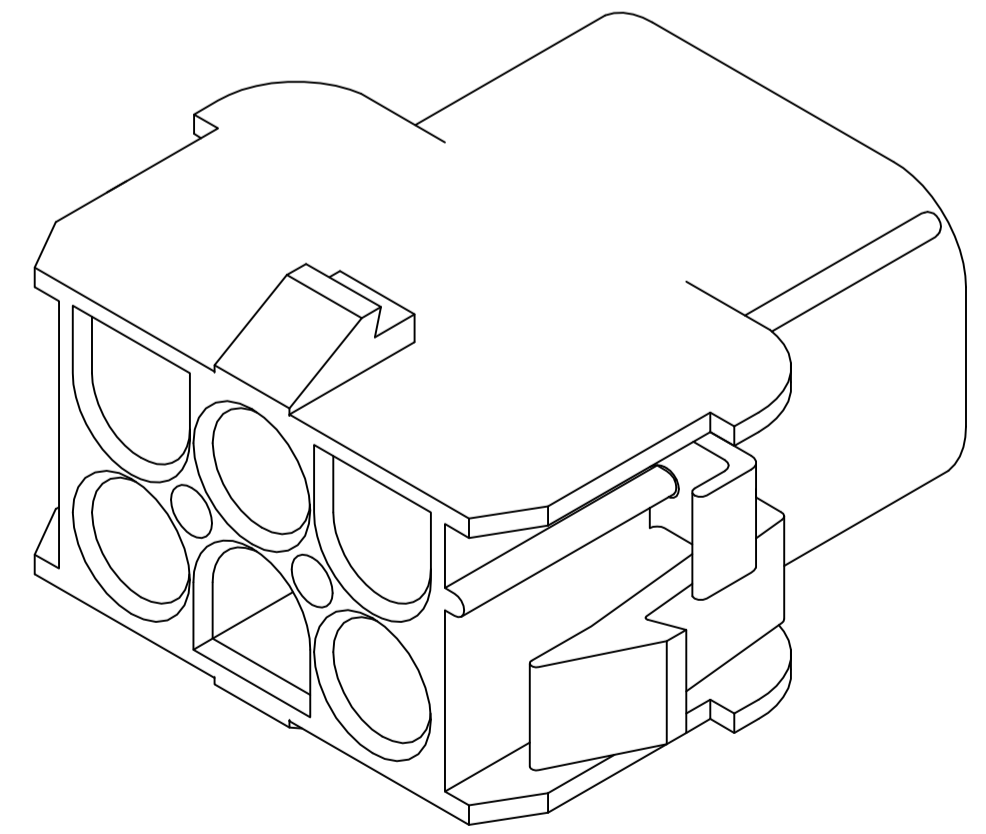
LOC		DIST		REVISIONS			
CM	53	REV	DATE	DESCRIPTION	DATE	BY	APPV
		W2	11MAR11	REVISED PER ECO-11-004587		RK	HMR
		W3	09APR15	REVISED PER ECR-15-005288		AV	DZ



- MATES WITH APPROPRIATE UNIVERSAL MATE-N-LOK™ PLUG.
 - RECOMMENDED PANEL THICKNESS 0.76 - 2.29.
 - PANEL MUST BE PUNCHED SO THAT THE HOUSING ENTERS THE PANEL IN THE SAME DIRECTION AS THE PUNCH.
- △ OPTIONAL FOR KEYING HOUSING IN PANEL.
 - △ CIRCUIT NUMBER 1 LOCATION.
 - △ DIMENSION INDICATED IS AS MOLDED. ADDITIONAL GROWTH DUE TO SUBSEQUENT MOISTURE ABSORPTION MAY OCCUR.
 - △ FOUR RIBS EQUALLY SPACED, NO SPECIFIC ORIENTATION. NO RIBS OR SIX RIBS EQUALLY SPACED, NO SPECIFIC ORIENTATION, OPTIONAL.
 - △ UNDERWRITERS RECOGNIZED COMPONENT LOGO AND CSA CERTIFICATION LOGO TO BE LOCATED ONCE EACH ON SIDE OF HOUSING.



RECOMMENDED PANEL CUT OUT



3-DIMENSIONAL MODEL NTS

MM	IN	MM	IN
6.35	.250	27.43	1.080
4.45	.175	26.16	1.030
2.79	.110	25.91	1.020
2.54	.100	20.32	.800
2.29	.090	14.35	.565
0.76	.030	13.97	.550
0.38	.015	12.19	.480
0.25	.010	8.13	.320
0.13	.005	6.99	.275

CONVERSION TABLE

勝特力材料 886-3-5753170
勝特力电子(上海) 86-21-34970699
勝特力电子(深圳) 86-755-83298787
[Http://www.100y.com.tw](http://www.100y.com.tw)

BLACK	1-350781-9
GRAY	1-350781-8
BLUE	1-350781-6
GREEN	1-350781-5
YELLOW	1-350781-4
ORANGE	1-350781-3
RED	1-350781-2
BROWN	1-350781-1
NATURAL	350781-1
COLOR	PART NUMBER

THIS DRAWING IS A CONTROLLED DOCUMENT. DIN K. WHITAKER 29JUN92. CHK R. SWING 29JUN92. APVD D. SELF 02JUL92. NAME CAP, 6 CIRCUIT, UNIVERSAL MATE-N-LOK™. MATERIAL NYLON, UL 94V-0. FINISH -. WEIGHT -. SIZE A1.00779. C=350781. SCALE 4:1. SHEET 1 OF 1. REV W3.

