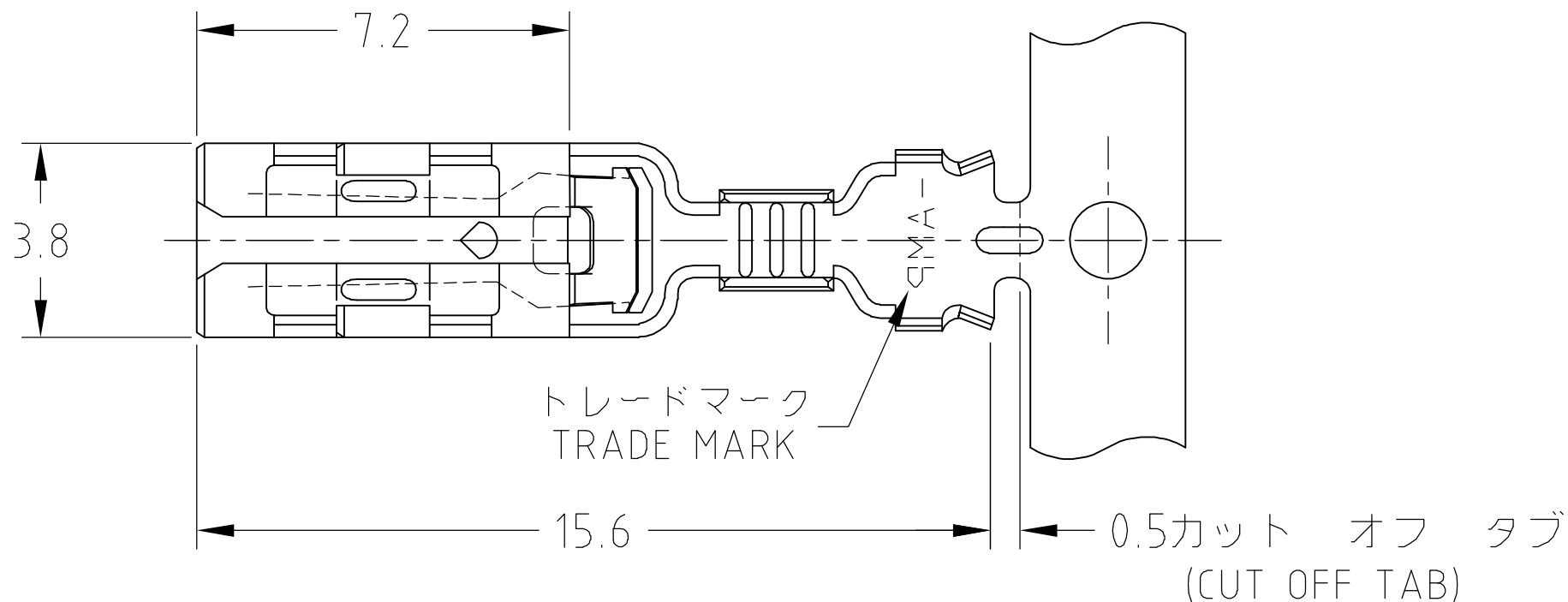


THIS DRAWING IS UNPUBLISHED. RELEASED FOR PUBLICATION
 © COPYRIGHT BY TYCO ELECTRONICS CORPORATION. ALL RIGHTS RESERVED.

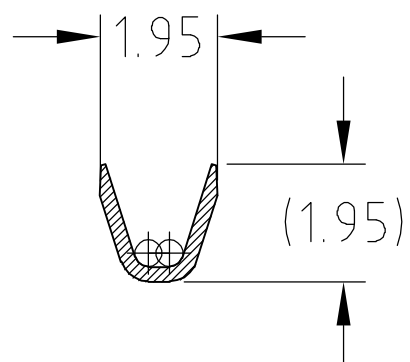
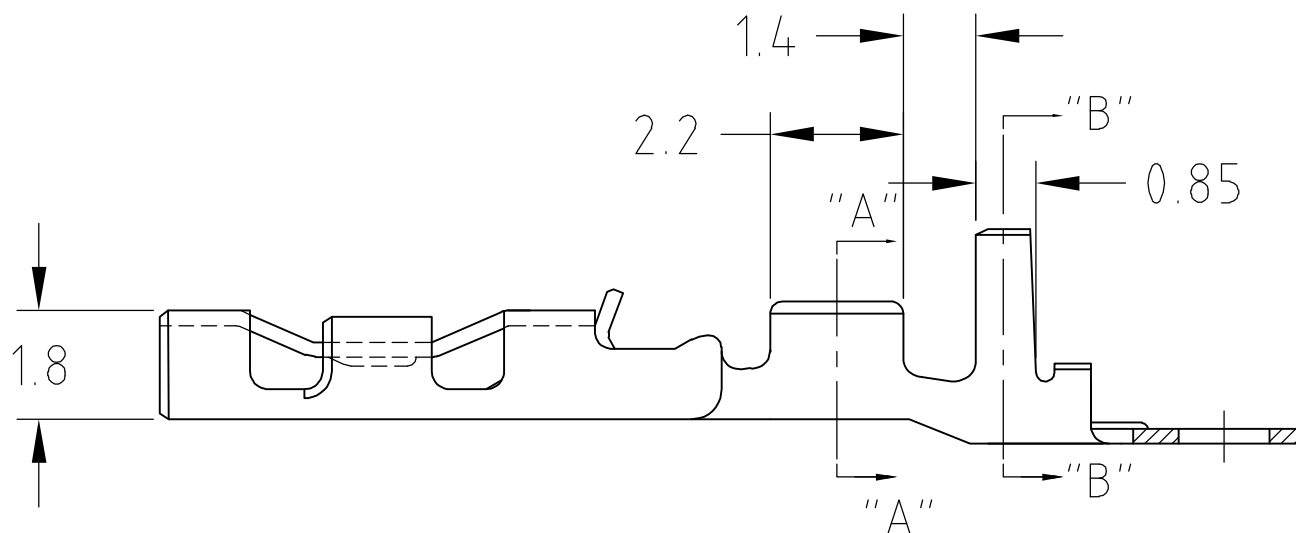
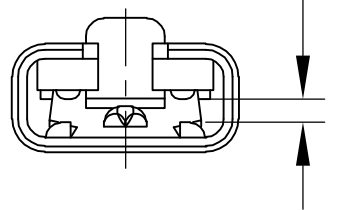
LOC	DIST	REVISIONS					
J	—	P	LTR	DESCRIPTION	DATE	DWN	APVD
		C		REDRAWN WITH CHANGE	ECR-05-006894	19JUL'05	J.S N.Y

勝特力材料 886-3-5753170
勝特力电子(上海) 86-21-34970699
勝特力电子(深圳) 86-755-83298787
Http://www.100y.com.tw

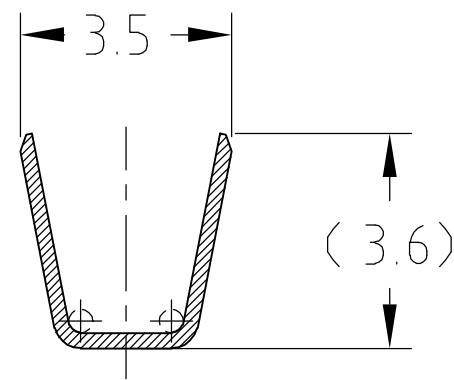


トレードマーク
TRADE MARK

110シリーズ・タブにカン合
MATING FOR 110 SERIES TAB



断面 "A"-"A"
SECT



断面 "B"-"B"
SECT

錫めっき済・磷青銅 (PRE-TIN PHOS-BRO)	353249-2
材料 (MATERIAL)	型番 (P/N)

WIRE RANGE 抱合電線断面積 0.14~0.34mm ² (AWG#26~#22)	INSULATION DIA 被覆外径 1.3~2.0 DIA	DWN J.SATO 19JUL2005		tyco Electronics	Tyco Electronics AMP K.K. Kawasaki, Japan				
		CHK N.YAMASAKI 19JUL2005	APVD N.YAMASAKI 19JUL2005		NAME 110 SERIES POSITIVE LOCK EX-III REC CONTACT(DOUBLE LOCK TYPE)				
THIS DRAWING IS A CONTROLLED DOCUMENT.		DIMENSIONS: 単位: 耗 mm		TOLERANCES UNLESS OTHERWISE SPECIFIED: 一般公差 10 ≥ ± 0.2		PRODUCT SPEC 製品規格 108-5530			
		30 ≥ >10 ± 0.25		100 ≥ >30 ± 0.3		APPLICATION SPEC 取付適用規格 114-5229			
MATERIAL 材料 SEE TABLE		FINISH 仕上		WEIGHT		SIZE A3	CAGE CODE 00779	DRAWING NO 番号 C-353249	RESTRICTED TO —
CUSTOMER DRAWING						SCALE 尺度 8:1	SHEET 1 OF 1	REV C	

Mouser Electronics

Authorized Distributor

Click to View Pricing, Inventory, Delivery & Lifecycle Information:

[TE Connectivity:](#)

[353249-2](#) [353249-2 \(Mouser Reel\)](#)