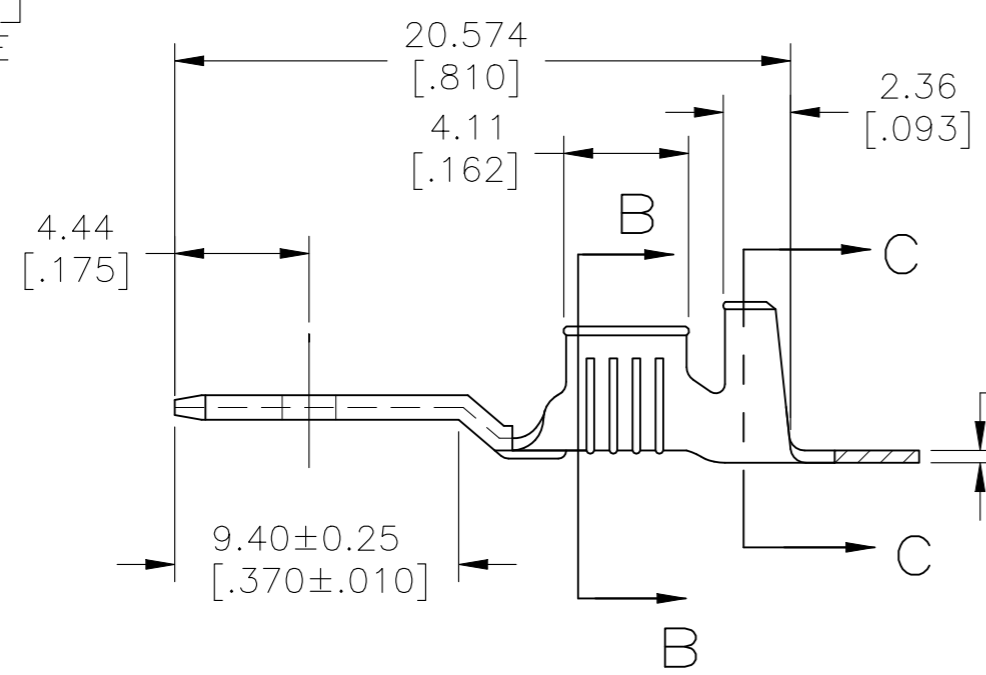
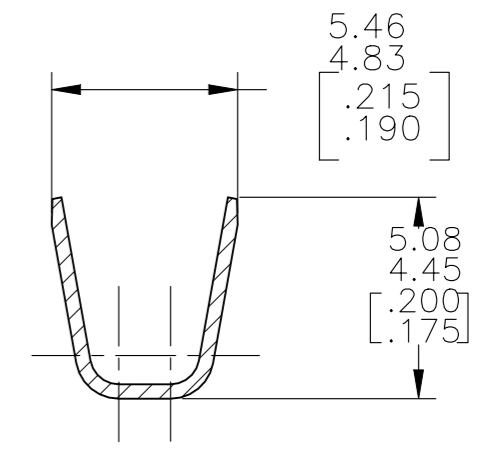
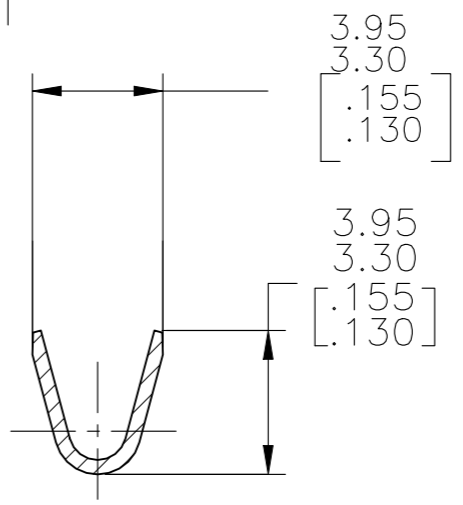
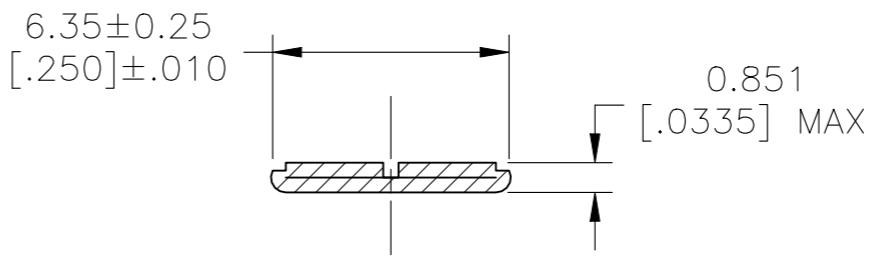
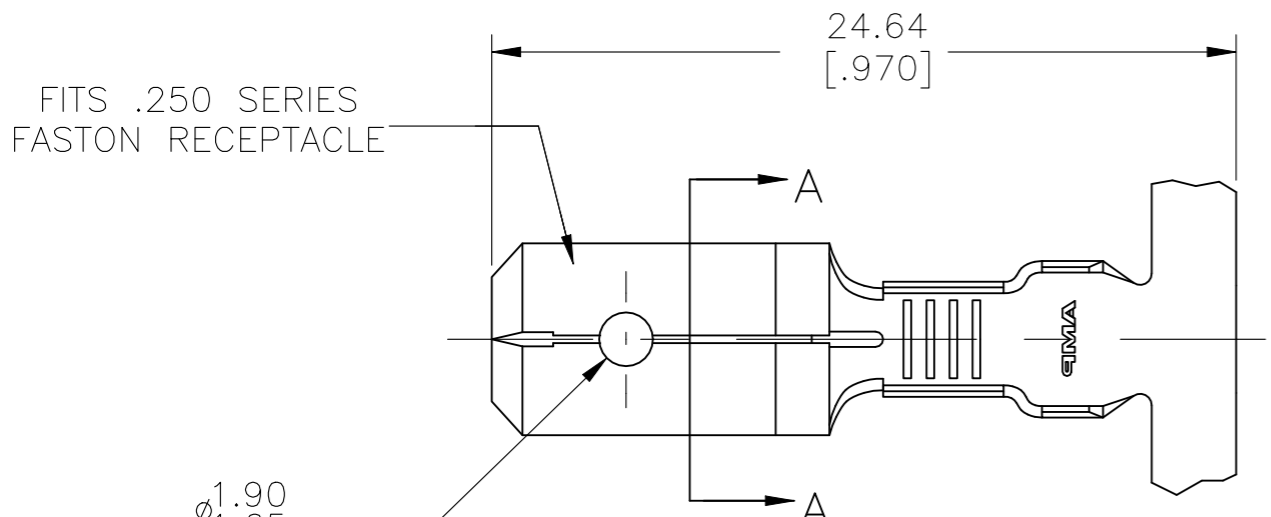


THIS DRAWING IS UNPUBLISHED. RELEASED FOR PUBLICATION
 © COPYRIGHT - By - ALL RIGHTS RESERVED.

REVISIONS				
P	LTR	DESCRIPTION	DATE	APVD
V3		REVISED PER ECR-21-101176	26MAR2021	SS EW

勝特力材料 886-3-5753170
 勝特力电子(上海) 86-21-34970699
 勝特力电子(深圳) 86-755-83298787
[Http://www.100y.com.tw](http://www.100y.com.tw)



FINISH	INSULATION RANGE	WIRE SIZE	PART NO
6 4 PRE-TIN			42474-8
4 TIN			42474-7
5 -			42474-6
5 SILVER .000120 MIN	2.794-3.81	18-14 AWG	42474-5
4 TIN	[.110-.150] DIA		42474-4
3 -			42474-3
TIN			42474-2
5 -			42474-1

- 1 CONTINUOUS STRIP ON REELS.
- 2 FEED TO BE .540#.005.
- 3 REVERSED REEL OF 42474-1.
- 4 REVERSED REEL OF 42474-2.
- 5 FOREIGN PRODUCTION ONLY.
- 6 LUBRICANT APPLIED AFTER TIN PLATING.

THIS DRAWING IS A CONTROLLED DOCUMENT.		DWN JR RUTH 1/31/91	STE TE Connectivity	
DIMENSIONS: mm [INCHES]		CHK MS FEHER 1/31/91		
TOLERANCES UNLESS OTHERWISE SPECIFIED:		APVD C MEYERS 1/31/91	NAME	
0 PLC ± -		PRODUCT SPEC	TAB, FASTON™	
1 PLC ± -		APPLICATION SPEC	.250 SERIES	
2 PLC ± -		WEIGHT 0.000000	SIZE A3	CAGE CODE 00779
3 PLC ± .015		CUSTOMER DRAWING	DRAWING NO C-42474	RESTRICTED TO -
4 PLC ± -			SCALE 4:1	SHEET 1 OF 1
ANGLES ± -				REV V3
MATERIAL BRASS				
FINISH SEE TABLE				