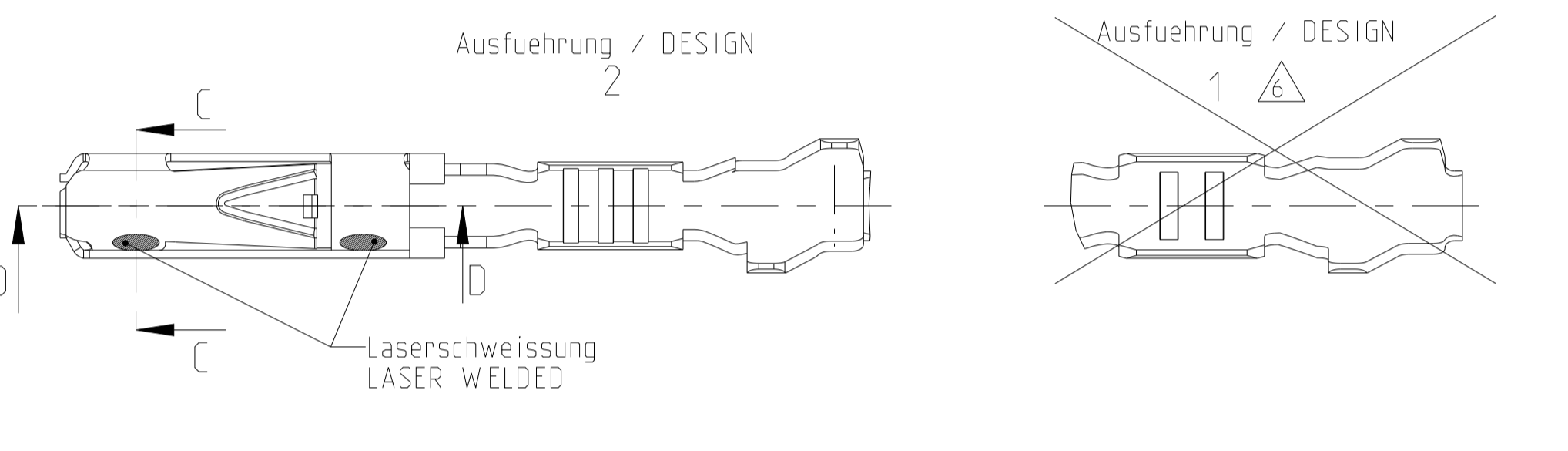
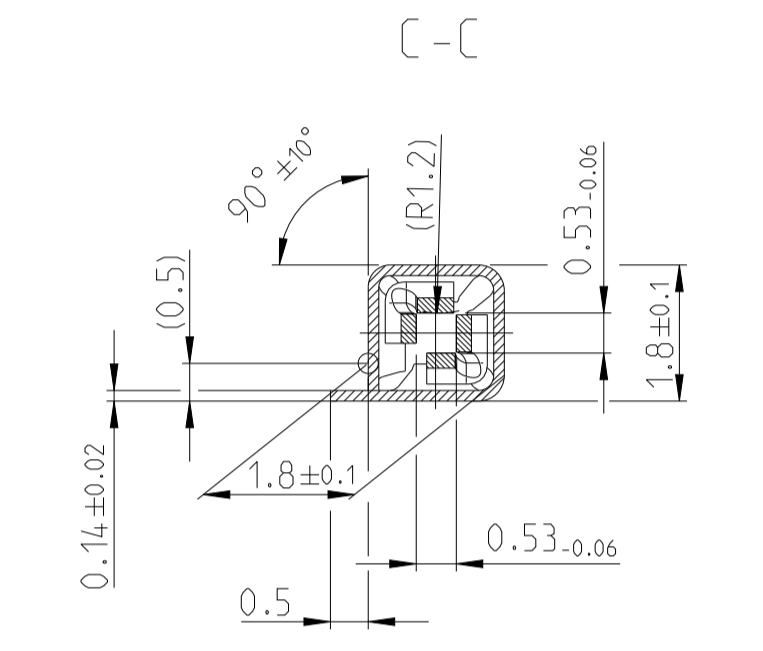
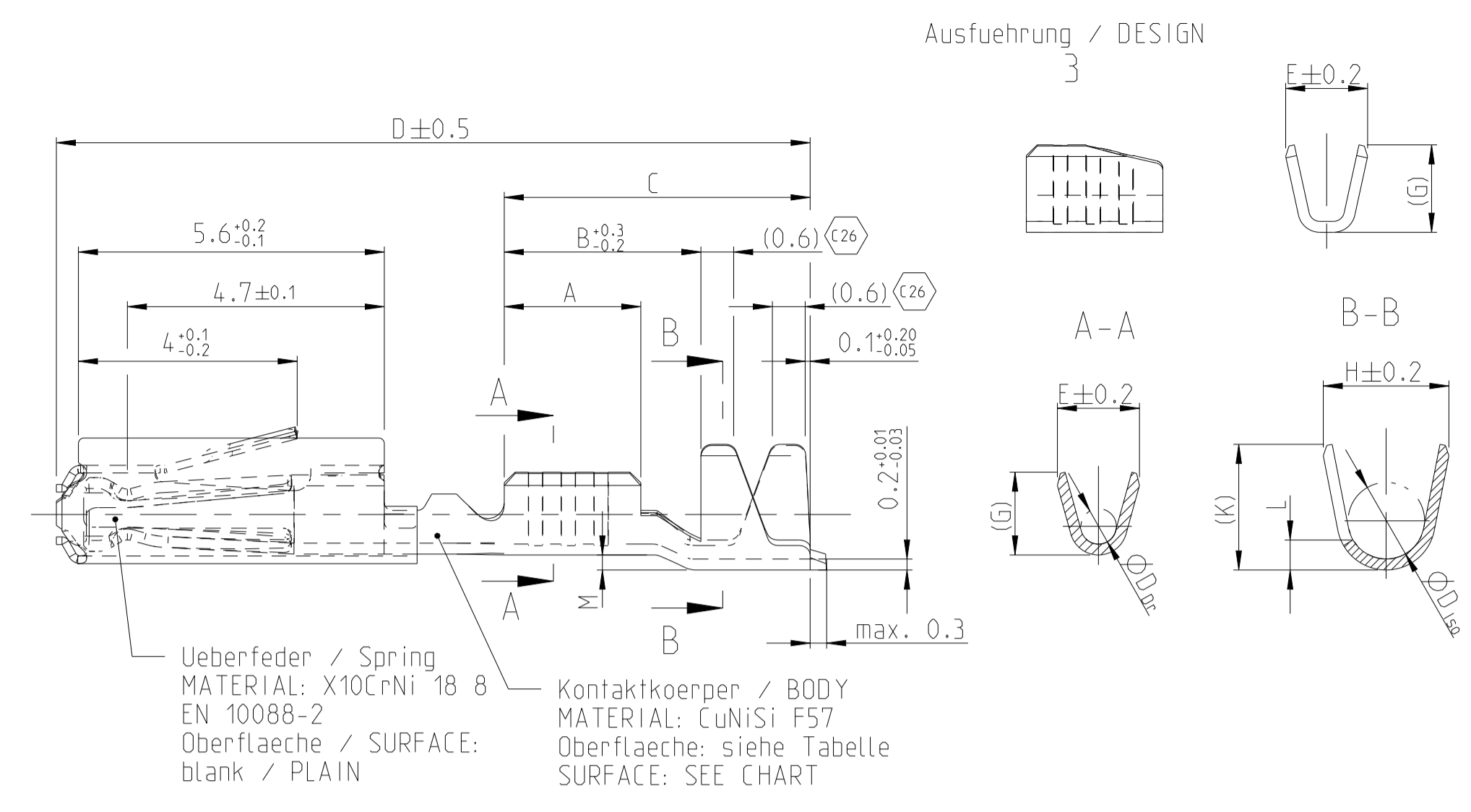
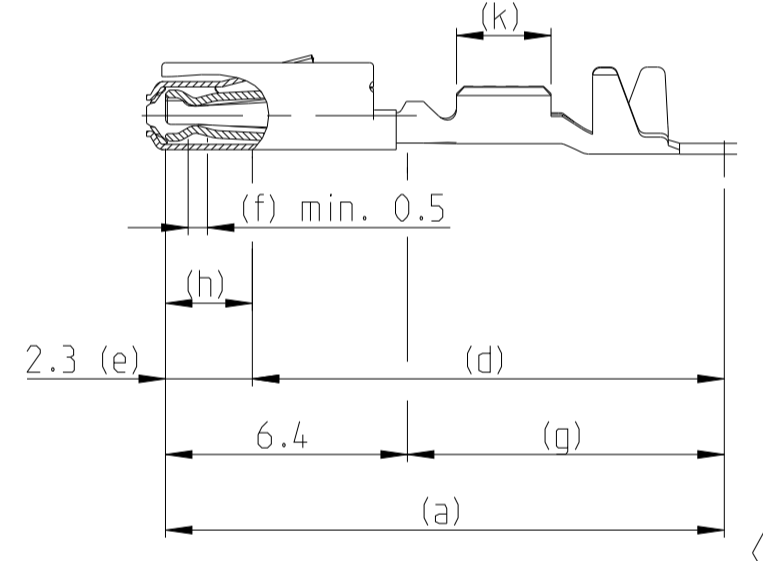


Normale Anwendung
 USUAL APPLICATION



Oberflaeche / FINISH

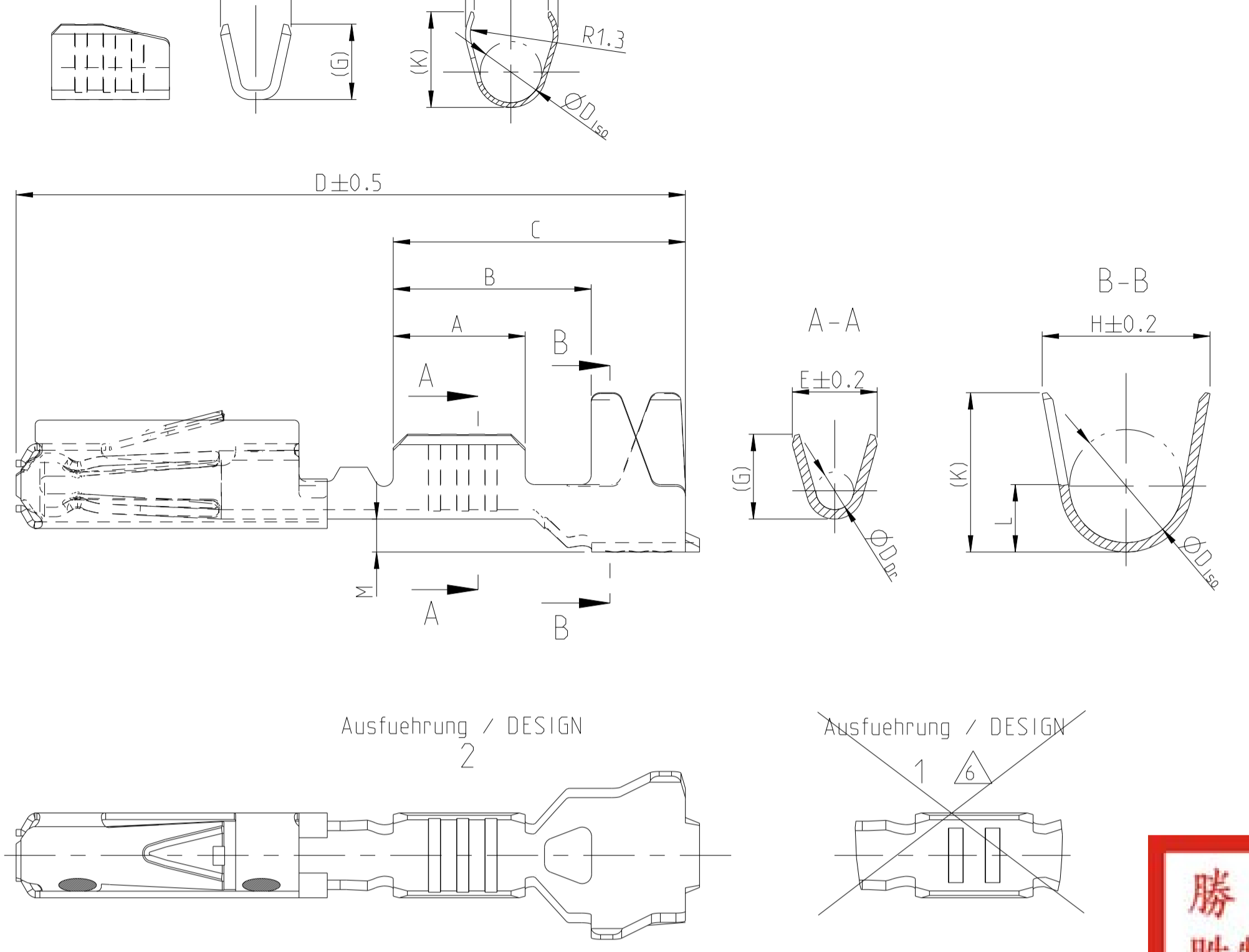


Sn: verzinnete Ausfuehrung
 TINNED
 (a) Kontaktkoerper: 0.8 - 2 µm Sn
 BODY: 0.8 - 2 µm Sn

Ag: versilbert
 SILVER
 (e) min. 0.3 µm Ag
 (f) min. 2.8 µm Ag INSIDE
 min. 2.8 µm Ag innen
 (g) min. 0.2 µm Sn
 (k) min. 0.8 - 2 µm Sn

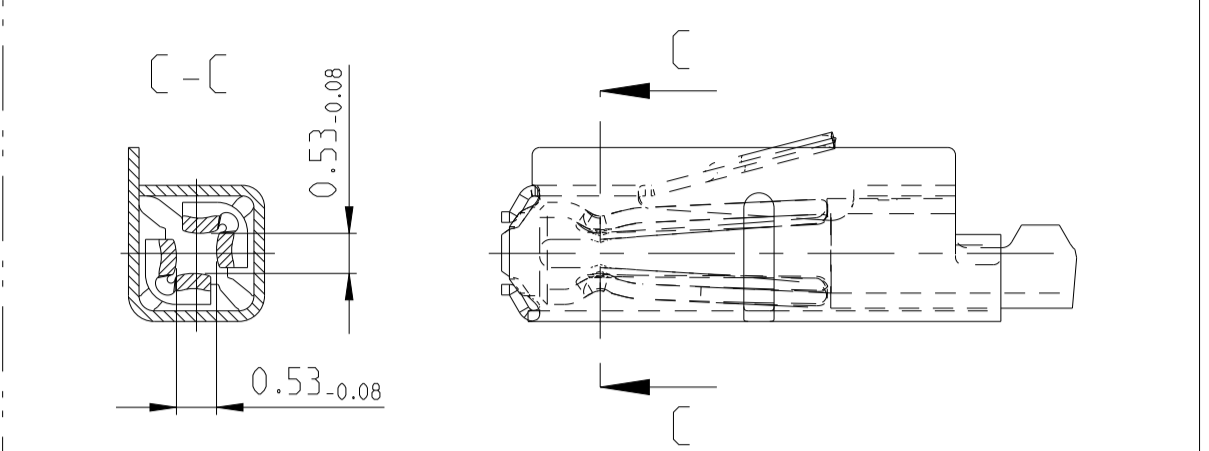
Au (galvanisch): galvanisch vergoldet
 GOLD-ELECTROPLATED
 (d) 0.05-1 µm Ni, beidseitig
 0.05-1 µm Ni, ON BOTH SIDES
 (e) 1-3 µm Ni, beidseitig
 1-3 µm Ni, ON BOTH SIDES
 (f) min. 1.8 µm Au ueber (e), innen
 MIN. 1.8 µm Au OVER (e), INSIDE
 (g) min. 0.2 µm Sn ueber (d), beidseitig
 MIN. 0.2 µm Sn OVER (d), ON BOTH SIDES
 (h) Au galvanisch aufaufend
 Au OVERPLATING
 (k) min. 0.8 - 2.0 µm Sn

Ausfuehrung / DESIGN 3
 Einzeldichtungssystem
 SINGLE WIRE SEAL SYSTEM

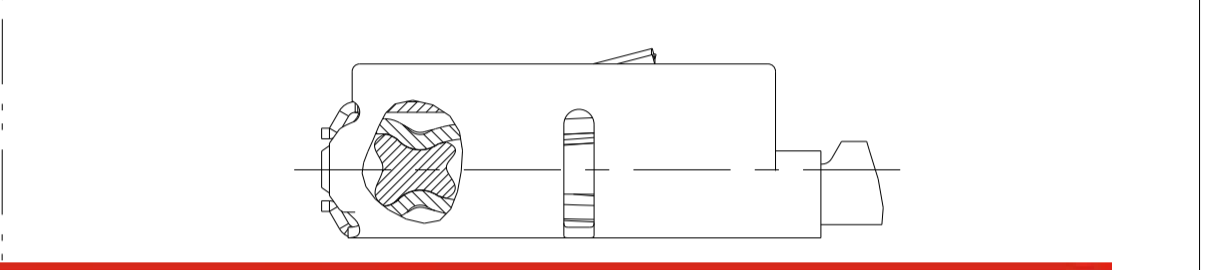


REV	DATE	BY	CHK	APPV
C23	30APR2019	FRAN	BERG	
C24	09DEC2019	MAH.	BERG	
C25	28AUG2020	MAH.	BERG	
C26	20AUG2021	FRAN	BERG	

versilberte/vergoldete Ausfuehrung
 SILVER/GOLD VERSION



GEL VERSION

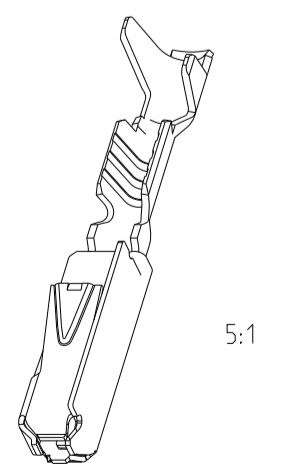
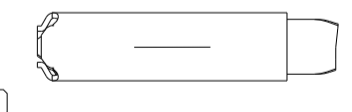
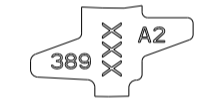


勝特力材料 886-3-5753170
勝特力电子(上海) 86-21-34970699
勝特力电子(深圳) 86-755-83298787
[Http://www.100y.com.tw](http://www.100y.com.tw)

Bemerkungen

- Datumscode (Woche/Jahr z.B. KW 38/Jahr2009) und TE-Revision (z.B. Rev.A) DATE CODE (WEEK/YEAR E.G. WEEK NUMBER 38/YEAR2009) AND TE REVISION (E.G. REV. A)
- Passend zu Stiftkontakt siehe Zeichnung 929453 SUITABLE FOR PIN CONTACT SEE DRAWING 929453
- Einzelheiten der Ausfuehrung bleiben dem Hersteller ueberlassen DETAILS OF DESIGN ARE LEFT TO MANUFACTURER
- Nur fuer FLR-Leitung nach DIN 72551 Teil 6 FOR FLR-CONDUCTOR ACCORDING TO DIN 72551-6 ONLY
-
- nicht fuer Neuanwendung NOT FOR NEW APPLICATION
- zugverstaerkte Leitung nach LV 112-4 REINFORCED WIRE ACCORDING LV 112-4
- Bei doppelt fallenden Werkzeugen wird die erste Ueberfeder mit einer Kennzeichnung "-" versehen WITH DOUBLE OUT DIES THE FIRST SPRING WILL BE PROVIDED WITH AN INDICATION "-"
- Varianten von Design1 werden durch die entsprechenden Versionen von Design2 ersetzt VARIANTS OF DESIGN1 ARE SUPERSEDED BY CORRESPONDING VERSIONS OF DESIGN2

Bestell-Nr. Ausfuehrung ORDER NO. DESIGN	Bestell-Nr. Ausfuehrung ORDER NO. DESIGN	Rev.	Bestell-Nr. Ausfuehrung ORDER NO. DESIGN	Rev.	VERSION	DGB Wire Size Range mm ²	Oberflaeche SURFACE	Laenge LENGTH mm	Drahtcrimp WIRE CRIMP mm	Iso-crimp INSU-CRIMP mm	Gewicht WEIGHT g	Vergaehrung Spez. APPLICATION SPEC.	DGB Wire Size Range mm ²	Isolations Ø INSULATING DIA. mm	fuer Kammer Ø3.45 FOR CAVITY DIA. 3.45 mm	Blindstopfen RUBBER PLUG	fuer Kammer Ø4 FOR CAVITY DIA. 4 mm	Blindstopfen RUBBER PLUG	zugehoerige Einzeldichtung / SUITABLE SINGLE WIRE SEAL				
6-965906-5	6-965906-5	E	1-965906-5	D	Einzeldichtungssystem SINGLE WIRE SEAL SYSTEM	0.50-0.75	Au-Gel	A = 2.8 B = 4.2 C = 6.2 D = 14.3 M = 0.7	E = 2 G = 2.1 D _{Dr} = 1	H = 3.5 K = 3.4 L = 1.5 D _{Iso} = 2.4	0.13	114-18025	0.75	1.4-1.9	967067-1	967056-1 blau / BLUE	963142-1	967056-1 blau / BLUE	-				
5-965906-6	5-965906-6	D	965906-6	C			Ag	A = 2.5 B = 3.9 C = 5.9 D = 14 M = 0.7	E = 1.8 G = 1.8 D _{Dr} = 0.8	H = 3.5 K = 3.4 L = 1.5 D _{Iso} = 2.4					0.35		0.9-1.4			967067-2	963142-2		
5-965906-5	5-965906-5	E	965906-5	D			Au	A = 2.5 B = 4.3 C = 6.2 D = 14.2 M = 0.6 (C26)	E = 1.5 G = 1.4	H = 4 K = 3.9 L = 3.1 D _{Iso} = 2.6					0.13		0.85-1.25			967067-2	963142-2		
5-965906-1	5-965906-1	D	965906-1	C			Sn								0.17					gelb YELLOW	grau GREY		
5-962885-6	5-962885-6	J	962885-6	H	normale Anwendung USUAL APPLICATION	0.25-0.35	Au-Gel	A = 2.8 B = 3.9 C = 5.6 D = 13.7 M = 0.2	E = 2 G = 2.1 D _{Dr} = 1	H = 2.7 K = 2.9 L = 0.7 D _{Iso} = 1.6	0.11	114-18021	-	-	-	-	-	-	-				
5-962885-5	5-962885-5	K	962885-5	J			Ag	A = 2.5 B = 3.6 C = 5.4 D = 13.7 M = 0.2	E = 1.8 G = 1.8 D _{Dr} = 0.8	H = 2.3 K = 2.3 L = 0.6 D _{Iso} = 1.4										0.35		gelb YELLOW	grau GREY
5-962885-1	5-962885-1	J	962885-1	H			Au	A = 2.5 B = 3.7 C = 5.4 D = 13.7 M = 0	E = 1.5 G = 1.5 D _{Dr} = 0.65	H = 2 K = 2 L = 1.1 D _{Iso} = 1.1										0.13		gelb YELLOW	grau GREY
2141826-6	2141826-6	A					Sn													0.17			
2141826-5	2141826-5	A			Ag																		
2141826-1	2141826-1	A			Au																		
6-963715-5	6-963715-5	K	1-963715-5	J	normale Anwendung USUAL APPLICATION	0.50-0.75	Au-Gel	A = 2.8 B = 3.9 C = 5.6 D = 13.7 M = 0.2	E = 2 G = 2.1 D _{Dr} = 1	H = 2.7 K = 2.9 L = 0.7 D _{Iso} = 1.6	0.11	114-18021	-	-	-	-	-	-	-				
5-963715-6	5-963715-6	J	963715-6	H			Ag	A = 2.5 B = 3.6 C = 5.4 D = 13.7 M = 0.2	E = 1.8 G = 1.8 D _{Dr} = 0.8	H = 2.3 K = 2.3 L = 0.6 D _{Iso} = 1.4										0.35		gelb YELLOW	grau GREY
5-963715-5	5-963715-5	K	963715-5	J			Au	A = 2.5 B = 3.7 C = 5.4 D = 13.7 M = 0	E = 1.5 G = 1.5 D _{Dr} = 0.65	H = 2 K = 2 L = 1.1 D _{Iso} = 1.1										0.13		gelb YELLOW	grau GREY
5-963715-1	5-963715-1	J	963715-1	H			Sn													0.17			
6-928999-5	6-928999-5	T	1-928999-5	S	normale Anwendung USUAL APPLICATION	0.25-0.35	Au-Gel	A = 2.8 B = 3.9 C = 5.6 D = 13.7 M = 0.2	E = 2 G = 2.1 D _{Dr} = 1	H = 2.7 K = 2.9 L = 0.7 D _{Iso} = 1.6	0.11	114-18021	-	-	-	-	-	-	-				
5-928999-6	5-928999-6	S	928999-6	R			Ag	A = 2.5 B = 3.6 C = 5.4 D = 13.7 M = 0.2	E = 1.8 G = 1.8 D _{Dr} = 0.8	H = 2.3 K = 2.3 L = 0.6 D _{Iso} = 1.4										0.35		gelb YELLOW	grau GREY
5-928999-5	5-928999-5	T	928999-5	S			Au	A = 2.5 B = 3.7 C = 5.4 D = 13.7 M = 0	E = 1.5 G = 1.5 D _{Dr} = 0.65	H = 2 K = 2 L = 1.1 D _{Iso} = 1.1										0.13		gelb YELLOW	grau GREY
5-928999-1	5-928999-1	S	928999-1	R			Sn													0.17			
2141824-6	2141824-6	A			Ag																		
2141824-5	2141824-5	A			Au																		
2141824-1	2141824-1	A			Sn																		
1355717-6	1355717-6	A			Ag																		
1355717-5	1355717-5	C			Au																		
1355717-1	1355717-1	C			Sn																		



THIS DRAWING IS A CONTROLLED DOCUMENT. DIMENSIONS: mm. TOLERANCES UNLESS OTHERWISE SPECIFIED: ±0.2. MATERIAL: -. FINISH: -. DATE: 05JAN1999. CHK: S. Garcia. R. Jetter. APPV: M. Bleicher. NAME: MQS Tabellenzeichnung Buchsenkontakt TABLE SOCKET CONTACT. SIZE: 108-18030. APPLICATION SPEC: 114-18021 / 114-18025. WEIGHT: -. CUSTOMER DRAWING: -. SCALE: 10:1. SHEET: 1 of 1. REV: C26.

Mouser Electronics

Authorized Distributor

Click to View Pricing, Inventory, Delivery & Lifecycle Information:

[TE Connectivity:](#)

[5-928999-1](#)