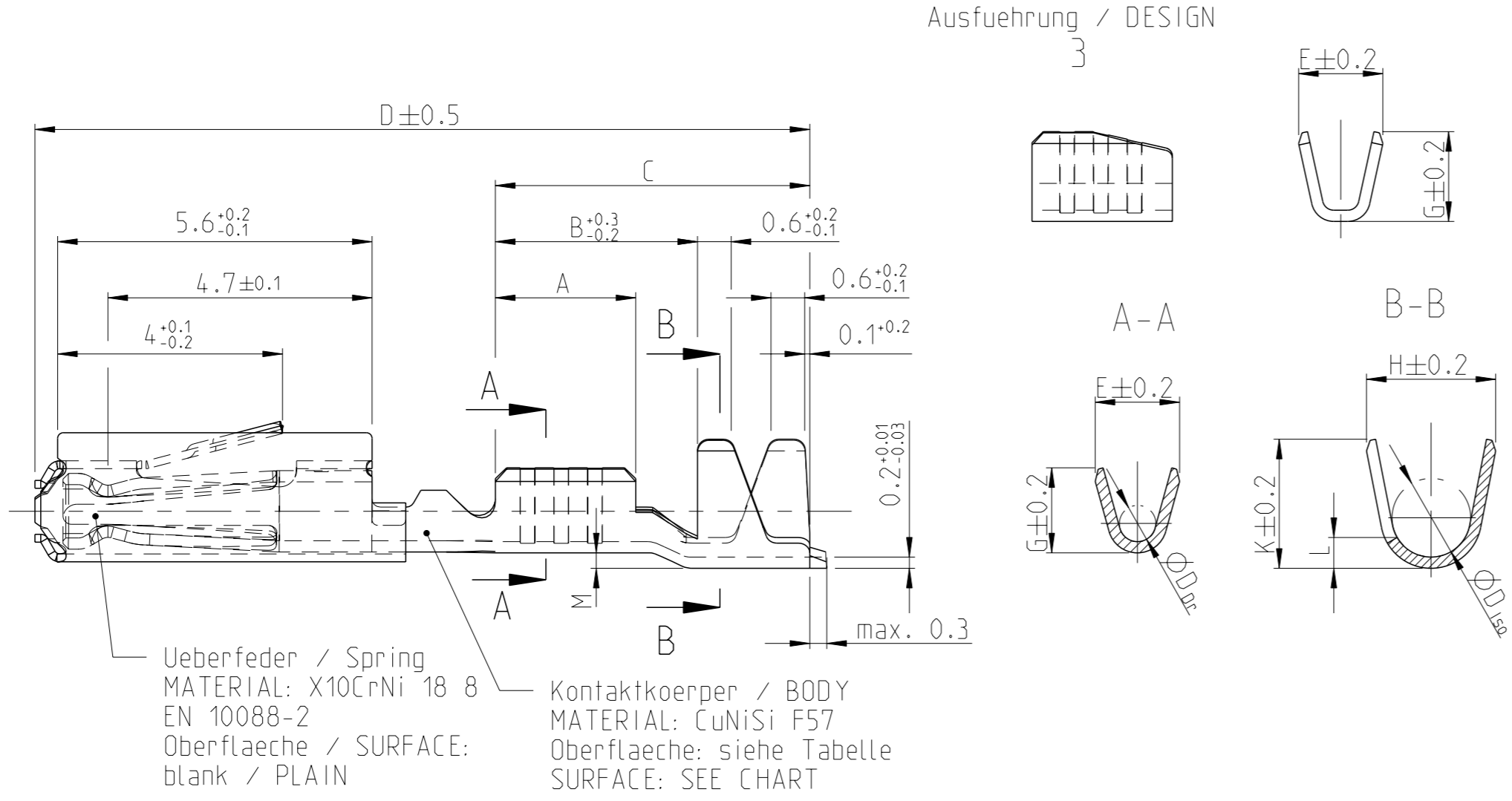
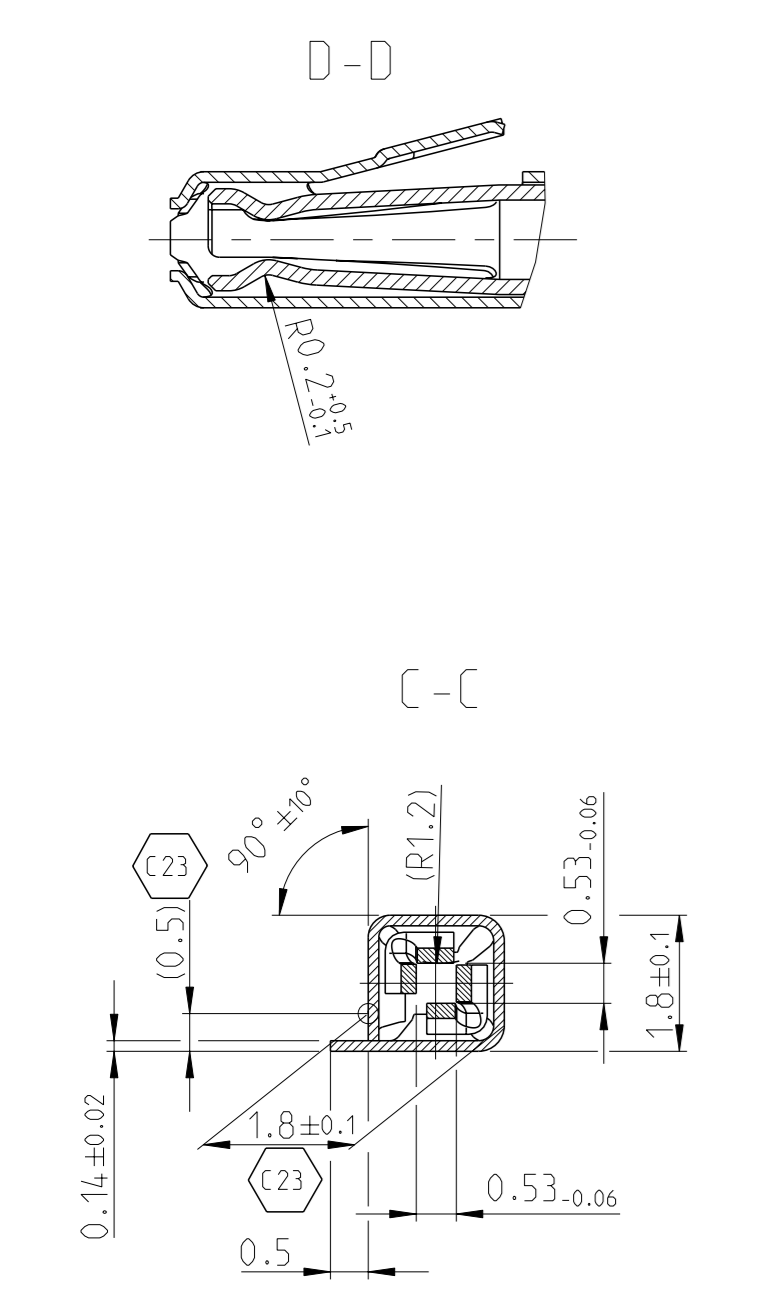
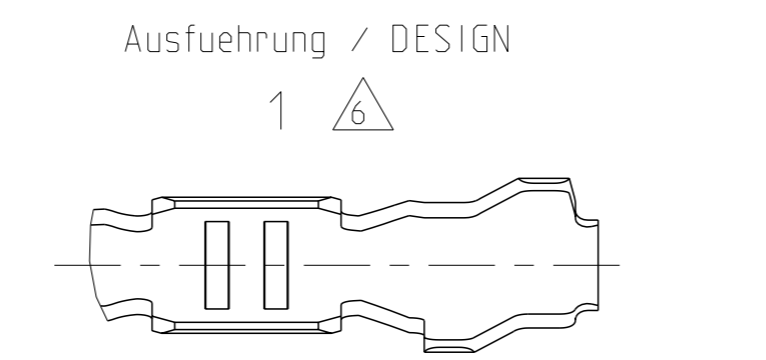
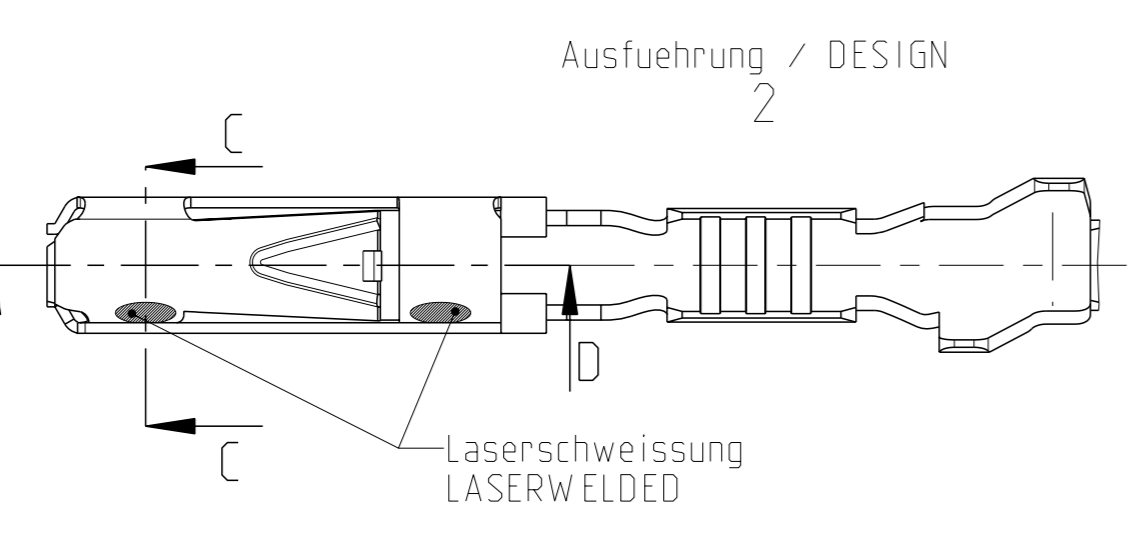
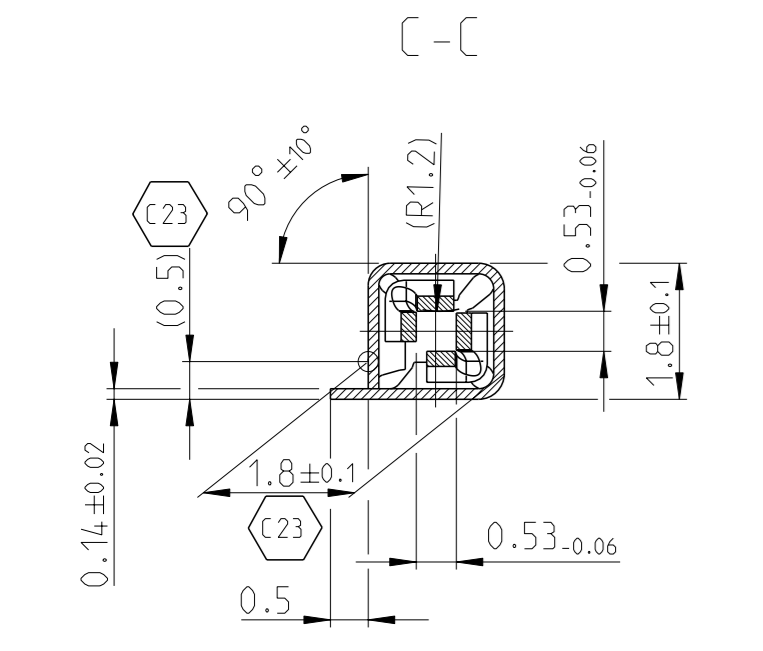


Normale Anwendung
 USUAL APPLICATION

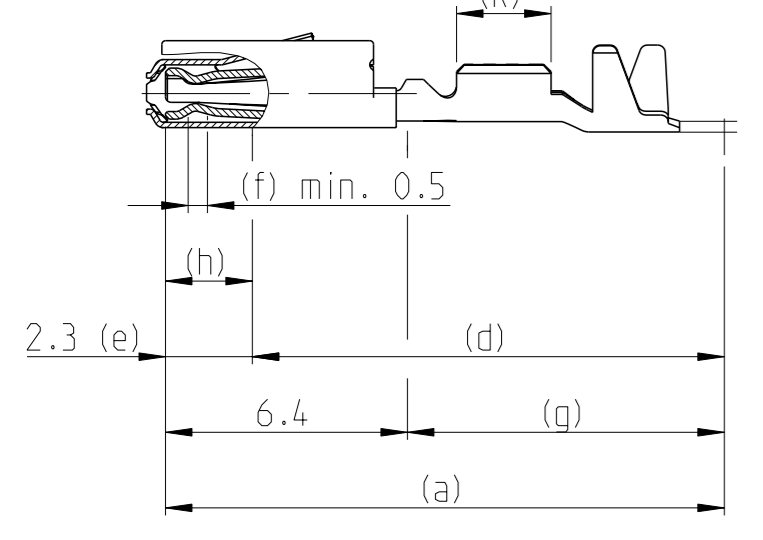


Ueberfeder / Spring
 MATERIAL: X10CrNi 18 8
 EN 10088-2
 Oberflaeche / SURFACE:
 blank / PLAIN

Kontaktkoerper / BODY
 MATERIAL: CuNiSi F57
 Oberflaeche: siehe Tabelle
 SURFACE: SEE CHART



Oberflaeche / FINISH

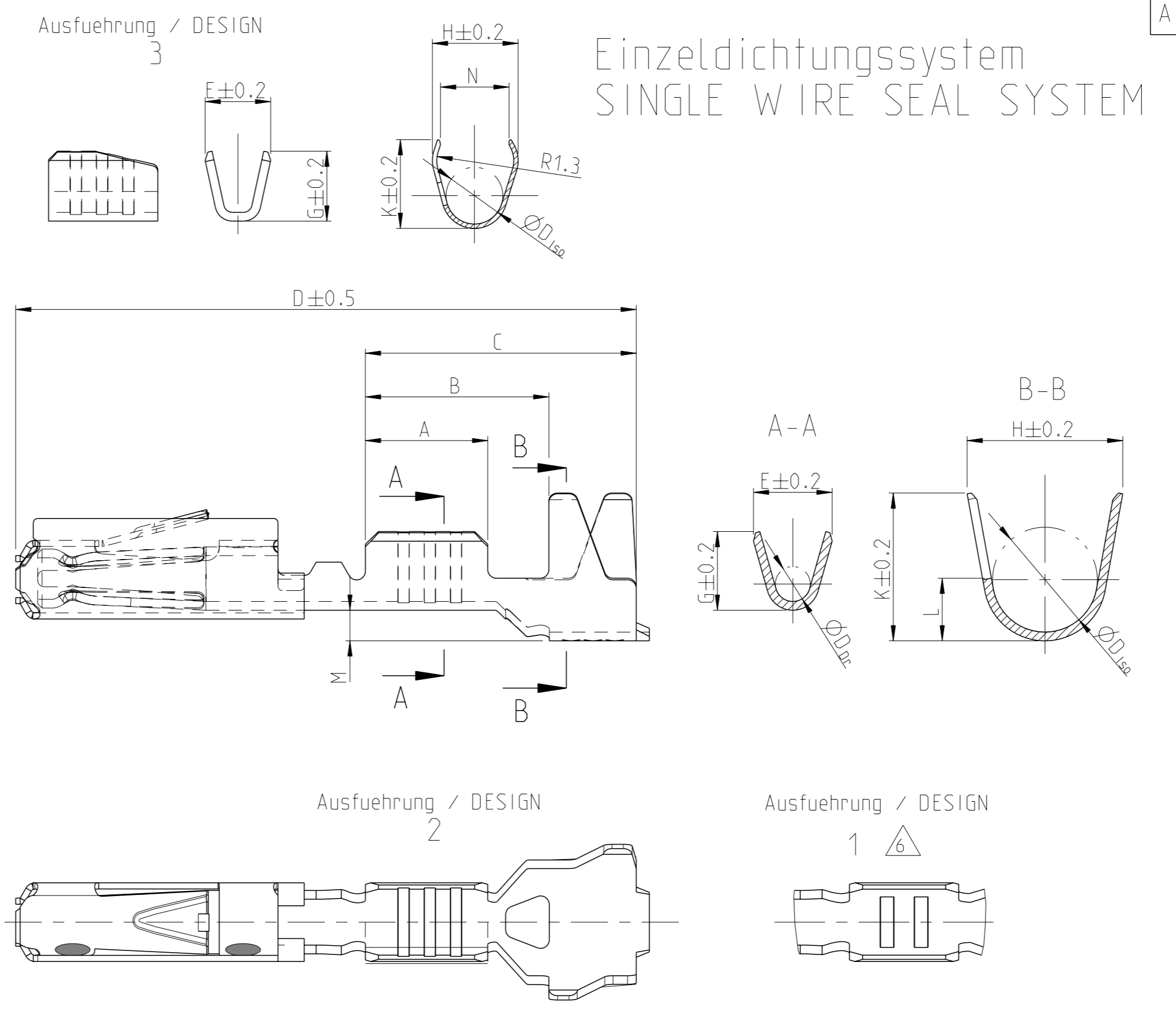


Sn: verzinnete Ausfuehrung
 TINNED
 (a) Kontaktkoerper: 0.8 - 2 µm Sn
 BODY: 0.8 - 2 µm Sn

Ag: versilbert
 SILVER
 (e) min. 0.3 µm Ag
 (f) min. 2.8 µm Ag INSIDE
 min. 2.8 µm Ag innen
 (g) min. 0.2 µm Sn
 (k) min. 0.8 - 2 µm Sn

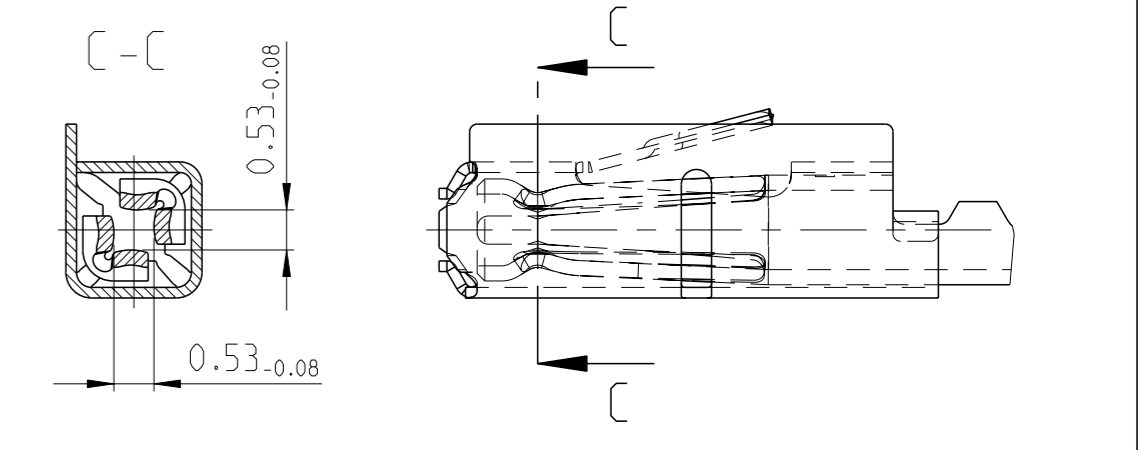
Au (galvanisch): galvanisch vergoldet
 GOLD-ELECTROPLATED
 (d) 0.05-1 µm Ni, beidseitig
 0.05-1 µm Ni, ON BOTH SIDES
 (e) 1-3 µm Ni, beidseitig
 1-3 µm Ni, ON BOTH SIDES
 (f) min. 1.8 µm Au ueber (e), innen
 MIN. 1.8 µm Au OVER (e), INSIDE
 (g) min. 0.2 µm Sn ueber (d), beidseitig
 MIN. 0.2 µm Sn OVER (d), ON BOTH SIDES
 (h) Au galvanisch auslaufend
 Au OVERPLATING
 (k) min. 0.8 - 2.0 µm Sn

勝特力材料 886-3-5753170
胜特力电子(上海) 86-21-34970699
胜特力电子(深圳) 86-755-83298787
[Http://www.100y.com.tw](http://www.100y.com.tw)

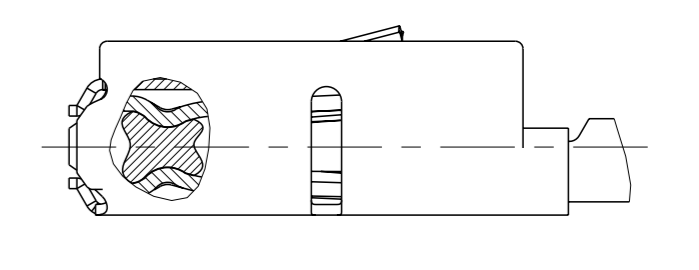


REV.	DATE	DESCRIPTION	BY	APPV
C20	29NOV2018	New PN 1355717-6 added	FRAN	BERG
C21	09JAN2019	NOTE 7 moved to right position 0.13/0.17	MAH.	BRUN
C22	10JAN2019	Tolerance changed to +/-0.1; surface corrected	MAH.	BERG
C23	30APR2019	Definition of a measurement point for contact height.	FRAN	BERG

versilberte/vergoldete Ausfuehrung
 Silver/GOLD VERSION

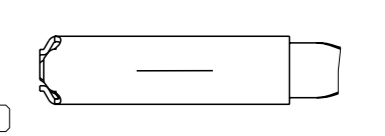


GEL VERSION



Part No.	Rev.	Material	Finish	Wire Size	Length	Weight	Notes
6-965906-5	E	1-965906-5	D	0.50-0.75	Au-Gel	A = 2.8, B = 4.2, C = 6.2, D = 14.3, M = 0.7	E = 2, G = 2.1, Dr = 1, H = 3.5, K = 3.4, L = 1.5, D _{ISO} = 2.4
5-965906-6	D	965906-6	C	0.25-0.35	Ag	A = 2.5, B = 3.9, C = 5.9, D = 14, M = 0.7	E = 1.8, G = 1.8, Dr = 0.8, H = 3.5, K = 3.4, L = 1.5, D _{ISO} = 2.4
5-965906-5	E	965906-5	D	0.13 / 0.17	Au	A = 2.5, B = 4.3, C = 6.2, D = 13.7, M = 0.6	E = 1.5, G = 1.4, H = 4, K = 4.1, N = 3.1, D _{ISO} = 2.6
5-965906-1	D	965906-1	C	0.50-0.75	Au-Gel	A = 2.8, B = 3.9, C = 5.6, D = 13.7, M = 0.2	E = 2, G = 2.1, Dr = 1, H = 2.7, K = 2.9, L = 0.7, D _{ISO} = 1.6
5-962885-6	J	962885-6	H	0.25-0.35	Ag	A = 2.5, B = 3.6, C = 5.6, D = 13.7, M = 0.2	E = 1.8, G = 1.8, Dr = 0.8, H = 2.3, K = 2.3, L = 0.6, D _{ISO} = 1.4
5-962885-5	K	962885-5	J	0.13 / 0.17	Au	A = 2.5, B = 3.7, C = 5.4, D = 13.7, M = 0	E = 1.5, G = 1.4, H = 2, K = 1.9, D _{ISO} = 1.1
5-962885-1	J	962885-1	H	0.08-0.22	Ag	A = 2.5, B = 3.7, C = 5.4, D = 13.7, M = 0	E = 1.5, G = 1.5, Dr = 0.65, H = 2, K = 2, D _{ISO} = 1.1

- Bemerkungen
- Datumcode (Woche/Jahr z.B. KW 38/Jahr2009) und TE-Revision (z.B. Rev.A) DATE CODE (WEEK/YEAR E.G. WEEK NUMBER 38/YEAR2009) AND TE REVISION (E.G. REV. A)
 - Passend zu Stiftkontakt siehe Zeichnung 929453 SUITABLE FOR PIN CONTACT SEE DRAWING 929453
 - Einzelheiten der Ausfuehrung bleiben dem Hersteller ueberlassen DETAILS OF DESIGN ARE LEFT TO MANUFACTURER
 - Nur fuer FLR-Leitung nach DIN 72551 Teil 6 FOR FLR-CONDUCTOR ACCORDING TO DIN 72551-6 ONLY
 - nicht fuer Neuanwendung NOT FOR NEW APPLICATION
 - zugestaerkte Leitung nach LV 112-4 REINFORCED WIRE ACCORDING LV 112-4
 - Bei doppelt fallenden Werkzeugen wird die erste Ueberfeder mit einer Kennzeichnung "-" versehen WITH DOUBLE OUT DIES THE FIRST SPRING WILL BE PROVIDED WITH AN INDICATION "-"



Bestell-Nr. Ausfuehrung ORDER NO. DESIGN	Bestell-Nr. Ausfuehrung ORDER NO. DESIGN	Rev.	Bestell-Nr. Ausfuehrung ORDER NO. DESIGN	Rev.	VERSION	DGB Wire Size Range mm ²	Oberflaeche SURFACE	Laenge LENGTH mm	Drahtcrimp WIRE CRIMP mm	Iso-crimp INSU-CRIMP mm	Gewicht WEIGHT g	Verarbeitung Spez. APPLICATION SPEC.	DGB Wire Size Range mm ²	Isolations Ø INSULATING DIA. mm	fuer Kammer Ø3.45 FOR CAVITY DIA. 3.45 mm	Blindstopfen RUBBER PLUG	fuer Kammer Ø4 FOR CAVITY DIA. 4 mm	Blindstopfen RUBBER PLUG
2	3		1		normale Anwendung USUAL APPLICATION													

THIS DRAWING IS A CONTROLLED DOCUMENT.

OWNER: S. Garcia 05JAN1999
 CHK: R. Jetter 05JAN1999
 APPV: M. Reicher 13AUG2003

NAME: MQS
 Tabellenzeichnung Buchsenkontakt
 TABLE SOCKET CONTACT

SIZE: 108-18030
 APPLICATION SPEC: 114-18021 / 114-18025
 WEIGHT: -
 CUSTOMER DRAWING

SCALE: 10:1 SHEET: 1 of 1 REV: C23

