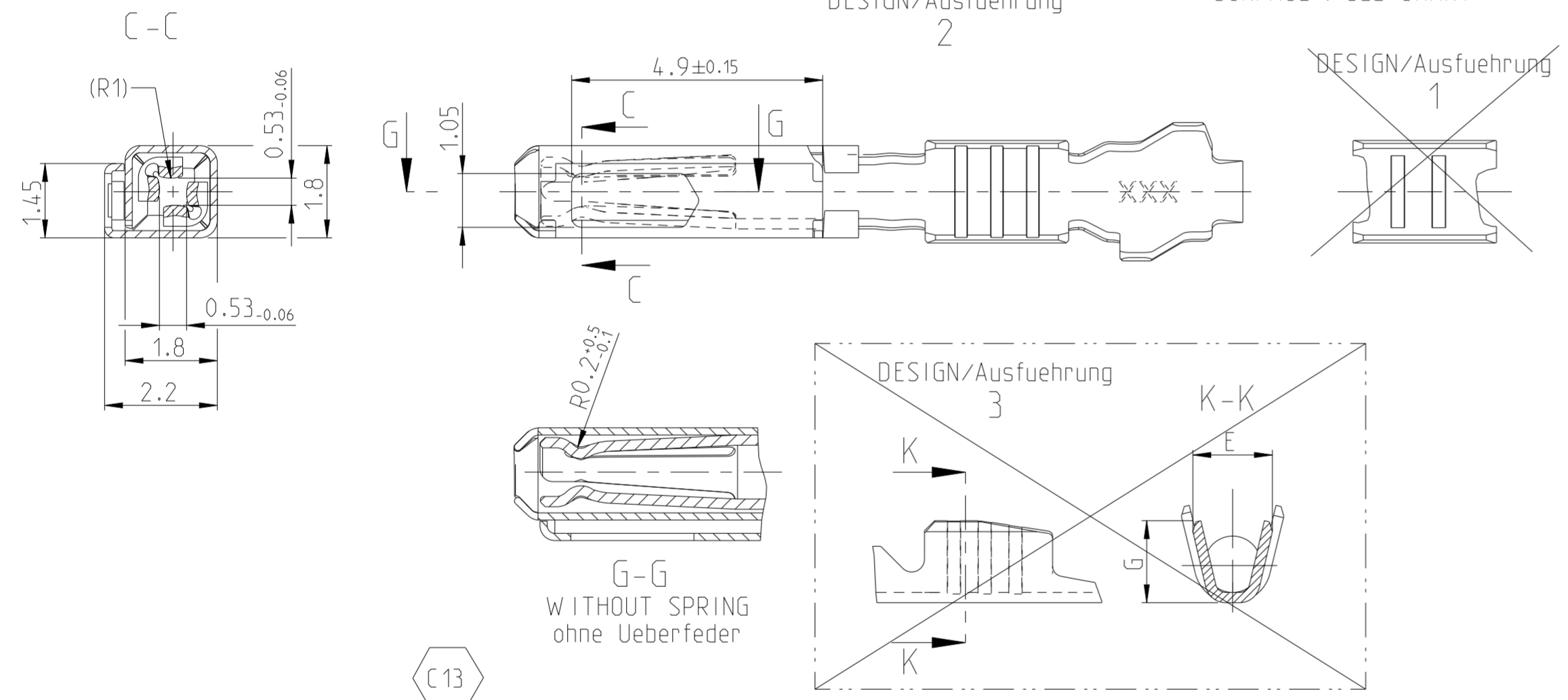
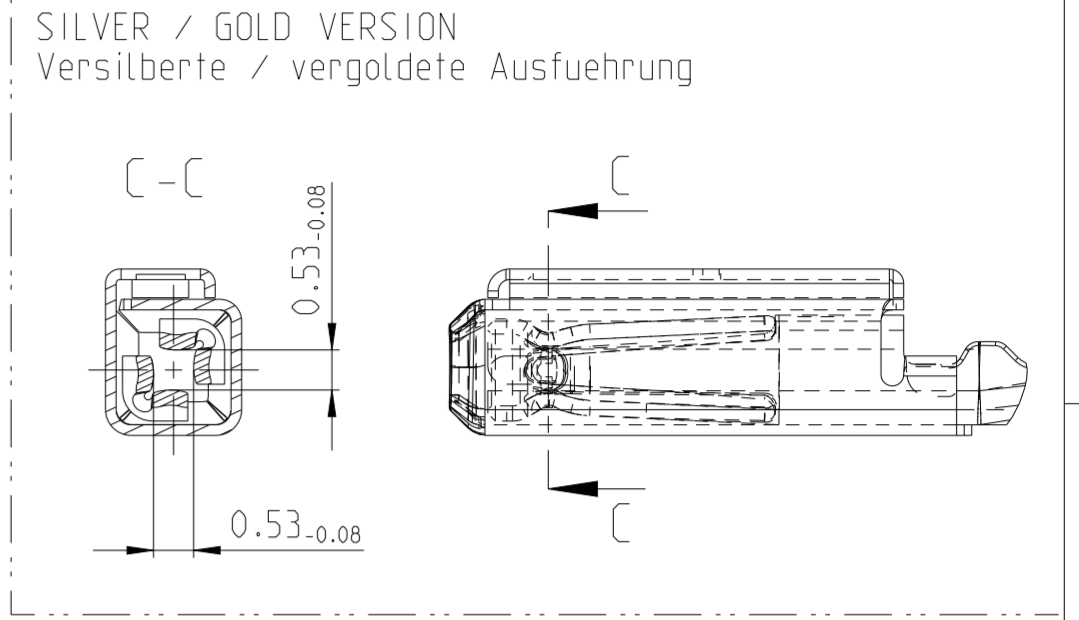
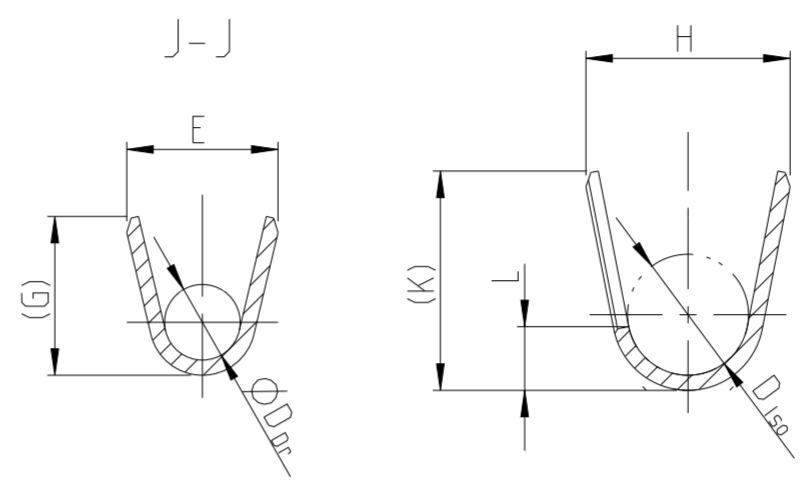
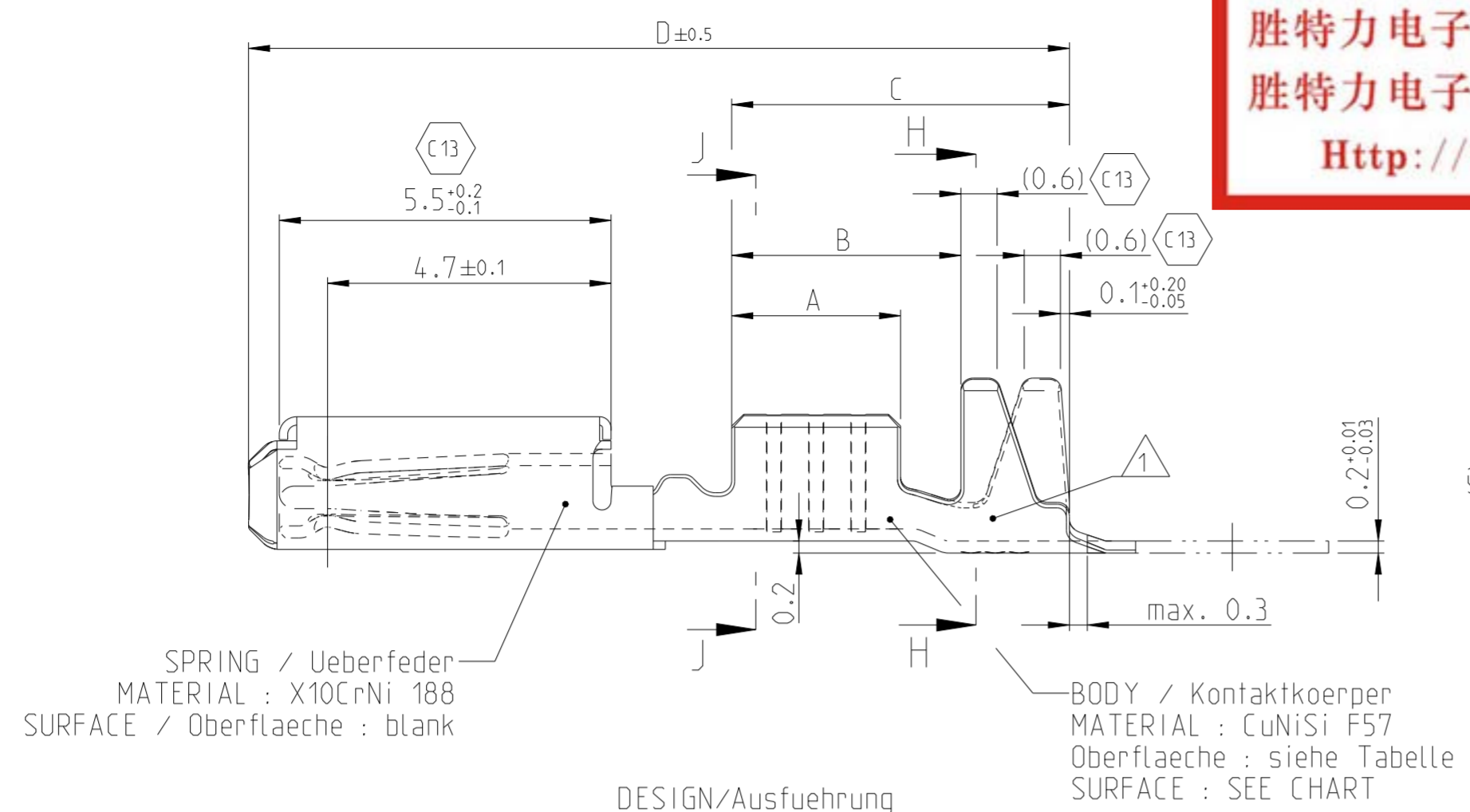


THIS DRAWING IS UNPUBLISHED. RELEASED FOR PUBLICATION 2009
 © COPYRIGHT 2009 ALL RIGHTS RESERVED.

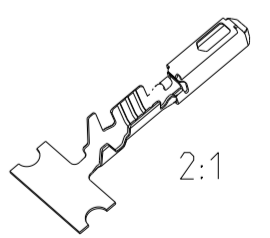
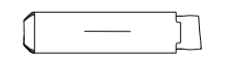
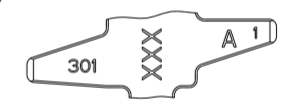
勝特力材料 886-3-5753170
勝特力电子(上海) 86-21-34970699
勝特力电子(深圳) 86-755-83298787
Http://www.100y.com.tw

LOC	DIST	REVISIONS			
P	LTR	DESCRIPTION	DATE	DWN	APVD
C10		NOTE 6 ADDED. ECR-15-007039	06MAY2015	Abr	Brun
C11		See PCN E-19-011079	09DEC2019	MAH.	BERG
C12		See PCN E-20-001102	03SEP2020	MAH.	BERG
C13		See PCN E-20-016678	12AUG2021	FRAN	BERG



NOTES
 Bemerkungen

- DATE-CODE (WEK/YEAR (E.G. WEEK NUMBER 30/ YEAR 2011)) AND TE REVISION (E.G. REV. A)
 Datumscode (Woche / Jahr, z.B. KW30/ Jahr 2011) und TE-Revision (z.B.Rev.A)
- SUITABLE FOR PIN CONTACT SEE DRAWING: TE: 929453
 Passend zu Stiftkontakt siehe Zeichnung: TE: 929453
- DETAILS OF DESIGN ARE LEFT TO MANUFACTURER
 Einzelheiten der Ausfuehrung bleiben dem Hersteller ueberlassen
- FOR FLR-CONDUCTOR ACCORDING TO DIN 72551-6 ONLY
 Nur fuer FLR-Leitung nach DIN 72551, Teil 6
- NOT FOR NEW APPLICATION
 nicht fuer Neuanwendung
- Bei doppelt fallenden Werkzeugen wird die erste Ueberfeder mit einer Kennzeichnung "-" versehen
 WITH DOUBLE OUT DIES THE FIRST SPRING WILL BE PROVIDED WITH AN INDICATION "-"



ODER NO. DESIGN	ODER NO. DESIGN	REV.	ODER NO. DESIGN	REV.	WIRE SIZE RANGE	SURFACE	LENGTH	WIRE CRIMP	INSU. CRIMP
Bestell-Nr. Ausfuehrung	Bestell-Nr. Ausfuehrung		Bestell-Nr. Ausfuehrung		DGB	Oberflaeche	Laenge	Drahtcrimp	Iso' crimp
2	3		1	5	mm ²		DIMENSIONS/ Abmessungen mm		
5-968221-6		A	7 968221-6	A	0.5-0.75	Ag	A = 2.8	E = 2	H = 2.7
5-968221-5		A	7 968221-5	C		Au	B = 3.8	G = 2	K = 2.9
5-968221-1		A	7 968221-1	C		Sn	C = 5.6	D _{Dr} = 1	L = 0.7
5-968220-6		A	7 968220-6	C	0.25-0.35	Ag	A = 2.5	E = 1.8	H = 2.3
5-968220-5		A	7 968220-5	C		Au	B = 3.6	G = 1.8	K = 2.3
5-968220-1		A	7 968220-1	C		Sn	C = 5.6	D _{Dr} = 0.8	L = 0.6
2208453-6		A			0.08-0.22	Ag	A = 2.5		H = 2
2208453-5		A				Au	B = 3.7	E = 1.6	K = 1.9
2208453-1		A				Sn	C = 5.4	G = 1.6	D _{Iso} = 1.1

THIS DRAWING IS A CONTROLLED DOCUMENT.		DWN Abraham.G. 06AUG2003	STE TE Connectivity	
		CHK Kampmann.H. 07AUG2003		
DIMENSIONS: mm	TOLERANCES UNLESS OTHERWISE SPECIFIED:	APVD	NAME	
	0-PLC ±		MQS CLEAN BODY	
	1-PLC ±		Productgroup Drawing Socket Contact	
	2-PLC ± ±0.2		Produktgruppenzeichnung, Buchsenkontakt	
	3-PLC ±		SIZE	CAGE CODE
	4-PLC ±		114-18021	00779
	ANGLES ± 1°		DRAWING NO	RESTRICTED TO
MATERIAL	FINISH		C-1355900	
			WEIGHT	
			CUSTOMER DRAWING	SCALE 10:1 SHEET 1 OF 1 REV. C13

Mouser Electronics

Authorized Distributor

Click to View Pricing, Inventory, Delivery & Lifecycle Information:

[TE Connectivity:](#)

[5-968221-1](#)