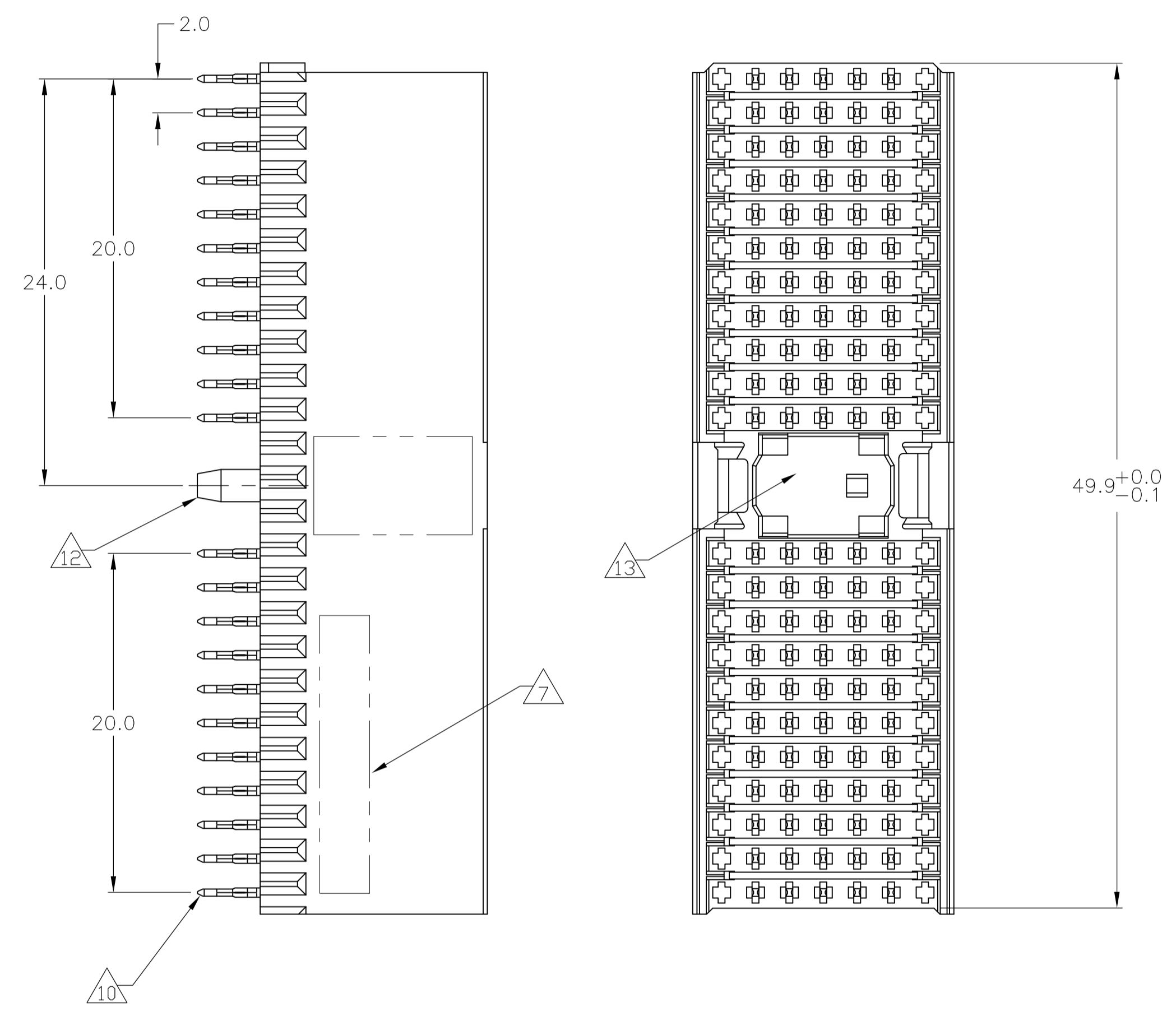
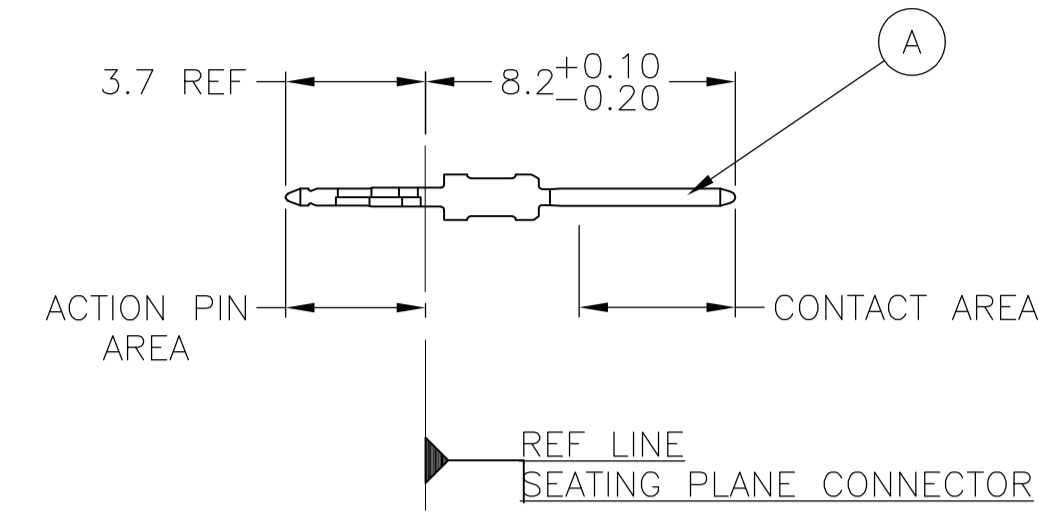


CONNECTOR ASSEMBLY
EXAMPLARY LOADED

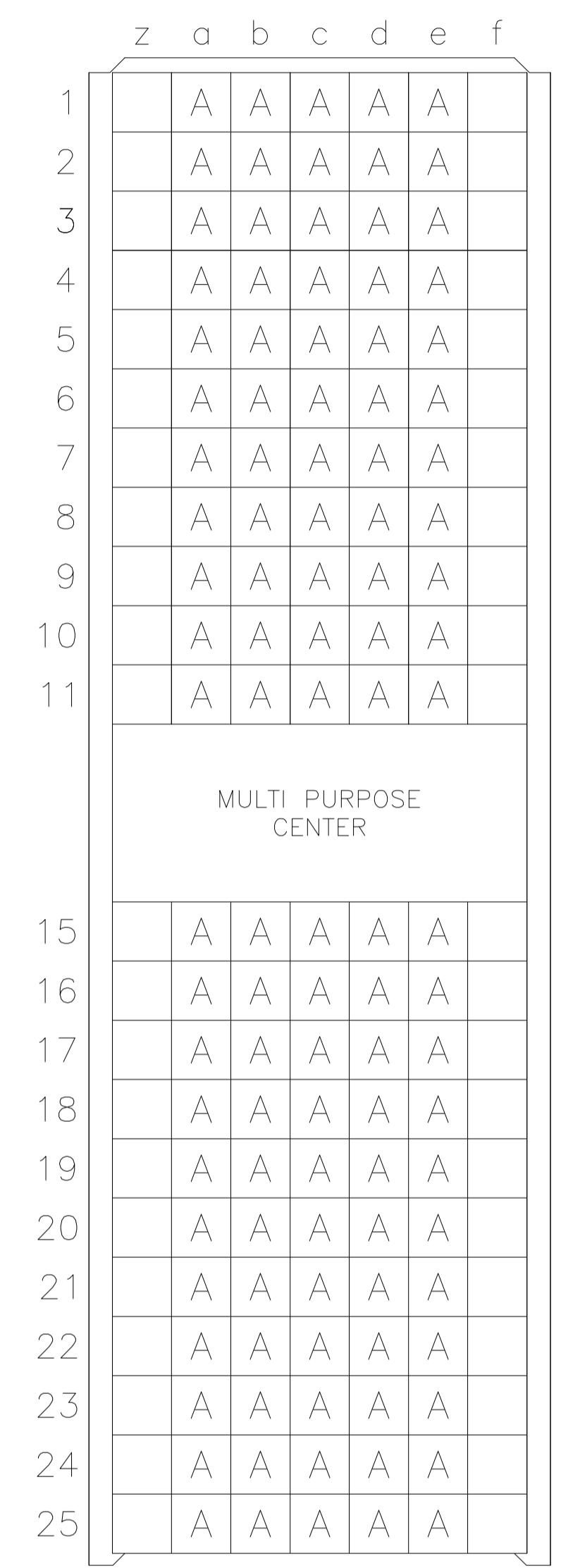


CONTACT DIMENSIONS

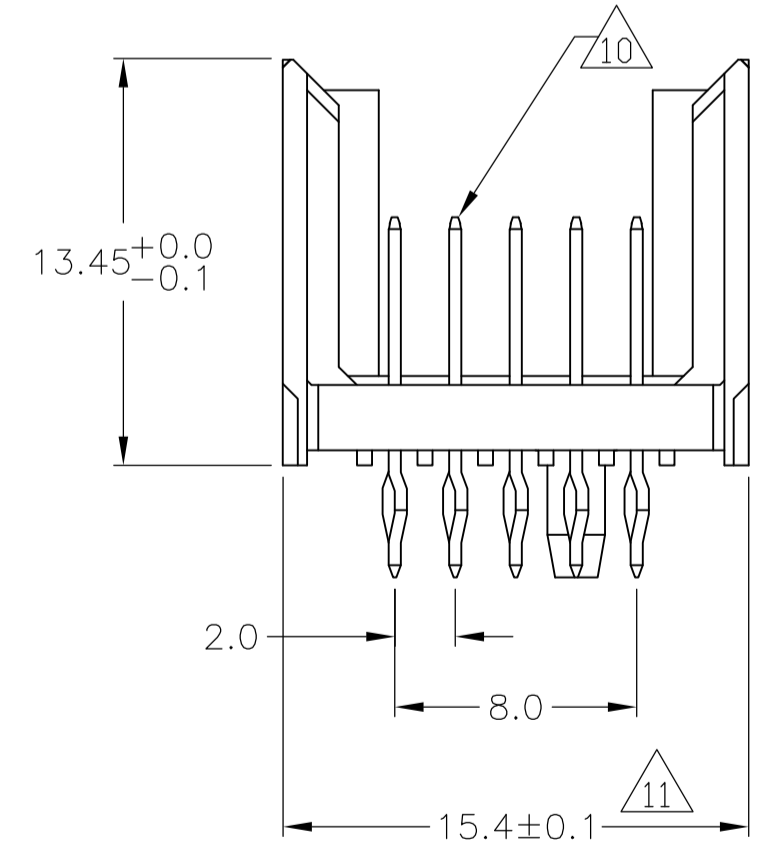
SCALE 5:1



CONTACT LAYOUT

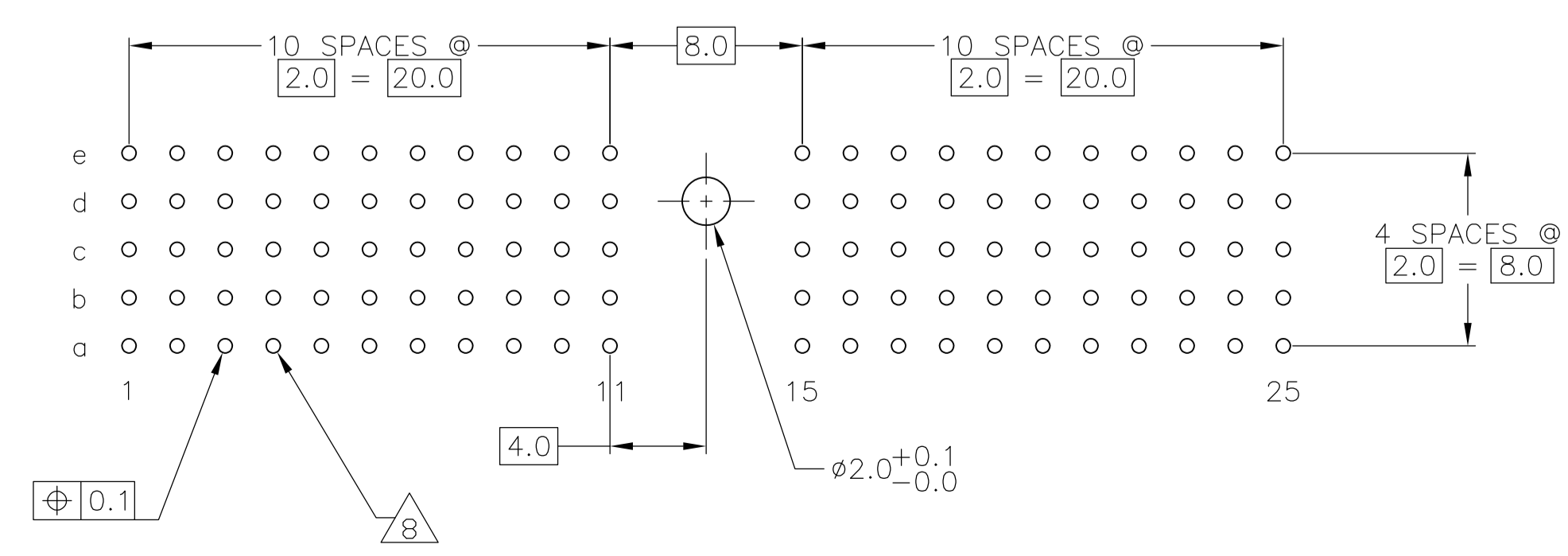


勝特力材料 886-3-5753170
勝特力电子(上海) 86-21-34970699
勝特力电子(深圳) 86-755-83298787
[Http://www.100y.com.tw](http://www.100y.com.tw)



RECOMMENDED PCB-HOLE LAYOUT
COMPONENT SIDE SHOWN

PLATED THRU HOLES PARAMETERS
REFERENCE APPLICATION SPECIFICATION




OBSOLETE	2 3 16	3-5100143-0
	2 6 14	1-5100143-9
	2 5 14	5100143-9
	2 4	5100143-4
	2 3	5100143-1
FINISH		PART NUMBER

THIS DRAWING IS A CONTROLLED DOCUMENT.

DIMENSIONS: mm	TOLERANCES UNLESS OTHERWISE SPECIFIED:	DIN B CARBO 24JAN05	24JAN05	24JAN05	24JAN05
0-PLG ±	1-PLG ±0.1	G-SKIPPER	G-SKIPPER	G-SKIPPER	G-SKIPPER
2-PLG ±	3-PLG ±	APVD G-SKIPPER	APVD G-SKIPPER	APVD G-SKIPPER	APVD G-SKIPPER
4-PLG ±	ANGLES ±	PRODUCT SPEC	PRODUCT SPEC	PRODUCT SPEC	PRODUCT SPEC
MATERIAL 1	FINISH SEE TABLE	NAME	NAME	NAME	NAME
		MALE ASSEMBLY, Z-PACK 2mm HM, TYPE A		TE Connectivity	
		APPLICATION SPEC	APPLICATION SPEC	APPLICATION SPEC	APPLICATION SPEC
		108-19082	108-19082	108-19082	108-19082
		114-19029	114-19029	114-19029	114-19029
		SIZE	CAGE CODE	DRAWING NO	RESTRICTED TO
		A1	00779	5100143	
		WEIGHT	WEIGHT	WEIGHT	WEIGHT
		CUSTOMER DRAWING	SCALE 4:1	SHEET 1 OF 2	REV F

LOC		DIST		REVISIONS			
AD	00	REV	DATE	BY	APPV	DESCRIPTION	
-	-	1	-	-	-	SEE SHEET 1	-

- 1 MATERIAL:
CONTACT: PHOSPHOR BRONZE.
HOUSING: GLASS-FILLED POLYESTER.
- 2 GENERAL PLATING SPECIFICATION: UNDERPLATING
(ENTIRE CONTACT): 1.27µm MIN NICKEL AND ACTION
PIN: 0.5µm MIN TIN.
FOR PLATING OF MATING SURFACES SEE APPLICABLE
SPECIFICATION REFERENCE FOR EACH DASH NUMBER.
- 3 CONFORMS TO ALL TESTING ACCORDING TO IEC 61076-4-101
PERFORMANCE LEVEL 2.
- 4 CONFORMS TO ALL TESTING ACCORDING TO IEC 61076-4-101
PERFORMANCE LEVEL 1.
- 5 CONNECTOR TESTED AND QUALIFIED AGAINST TELCORDIA GR-1217-CORE QUALITY LEVEL 3,
CENTRAL OFFICE APPLICATIONS.
- 6 CONNECTOR TESTED AND QUALIFIED AGAINST TELCORDIA GR-1217-CORE QUALITY LEVEL 3,
UNCONTROLLED ENVIROMENT APPLICATIONS.
- 7 CONNECTOR MARKED WITH PART NUMBER AND DATE CODE.
ADDITIONAL CHARACTERS OR MARKINGS, AS WELL AS THE LOCATION OF THE MARKINGS,
MAY BE ADDED FOR TRACEABILITY BASED UPON MANUFACTURERS DISCRETION.
- 8 PLATED-THROUGH HOLES AT 2x2mm SQUARE GRID
PATTERN DEFINED BY CONTACT LAYOUT.
- 9 FOR ACTUAL PIN LOADING SEE "CONTACT LAYOUT".
- 10 FOR ACTUAL PIN DIMENSIONS SEE "CONTACT DIMENSIONS".
- 11 TO BE MEASURED AT BOTTOM OF SHROUD.
- 12 POLARIZATION FEATURE.
- 13 AREA RESERVED FOR KEYING PART (BASIC P/N 100525).
- 14 CONNECTOR LUBRICATED WITH BELCORE APPROVED LUBRICANT,
TECHNICAL REFERENCE: TR-NWT-001217 ISSUE 1, SEP 1992.
- 15 OBSOLETE PARTS: OBSOLETE CIS STREAMLINING PER D.RENAUD/D.SINISI
- 16 0.76µm MIN. GOLD PLATING AT MATING SURFACES.

THIS DRAWING IS A CONTROLLED DOCUMENT.		DIN B CARBO 24JAN05		 TE Connectivity	
DIMENSIONS: mm		GSKIPPER 24JAN05			
TOLERANCES UNLESS OTHERWISE SPECIFIED:		APVD GSKIPPER 24JAN05		NAME	
0-PLC ± 1-PLC ±0.1 2-PLC ± 3-PLC ± 4-PLC ± ANGLES ±		PRODUCT SPEC		MALE ASSEMBLY, Z-PACK 2mm HM, TYPE A	
MATERIAL SEE SHEET 1		FINISH SEE SHEET 1		RESTRICTED TO	
WEIGHT		SIZE		CAGE CODE	
SEE SHEET 1		A1		DRAWING NO	
CUSTOMER DRAWING		100779		5100143	
SCALE		SHEET		REV	
4:1		2 OF 2		F	