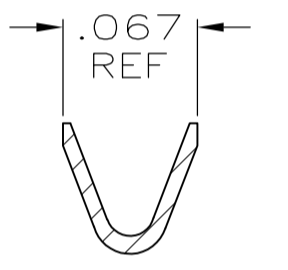
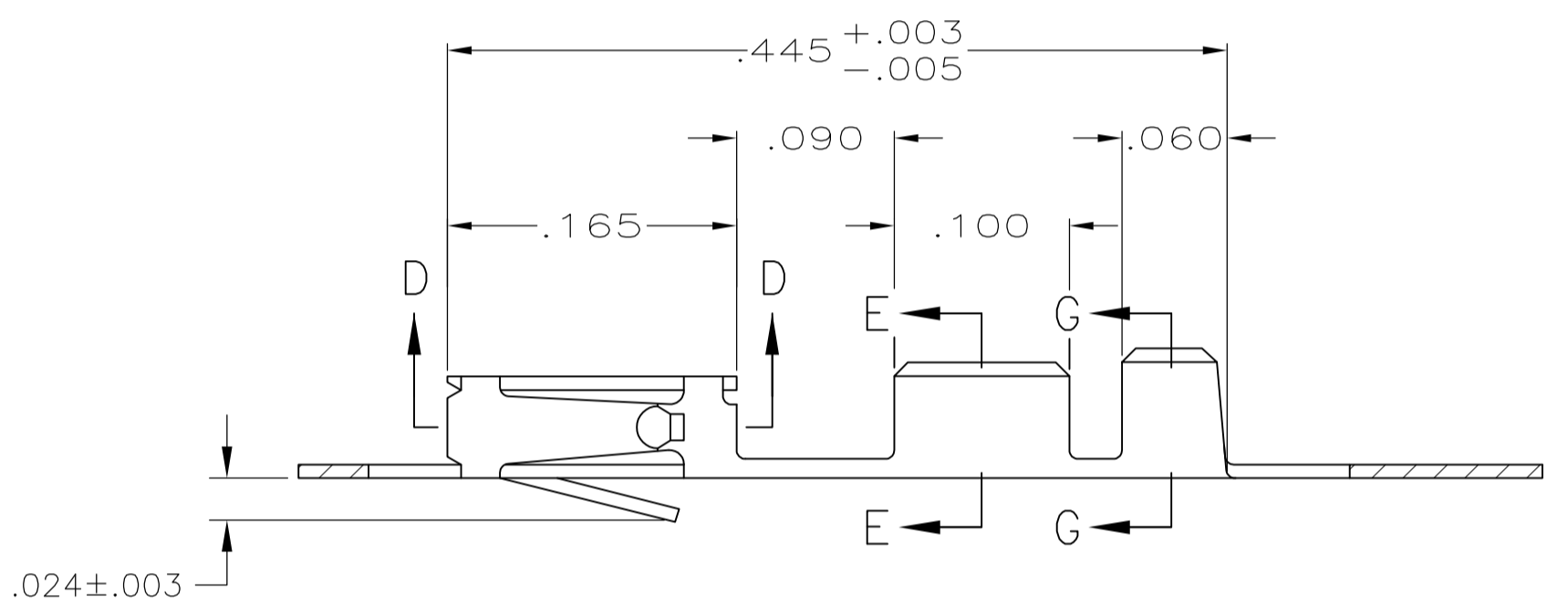
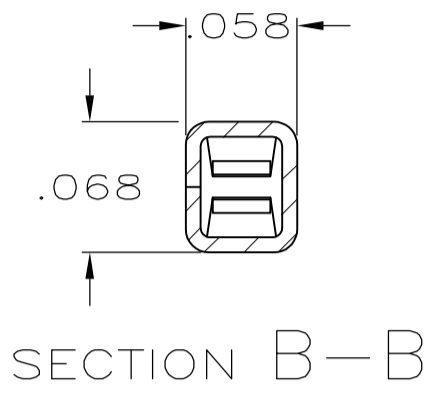
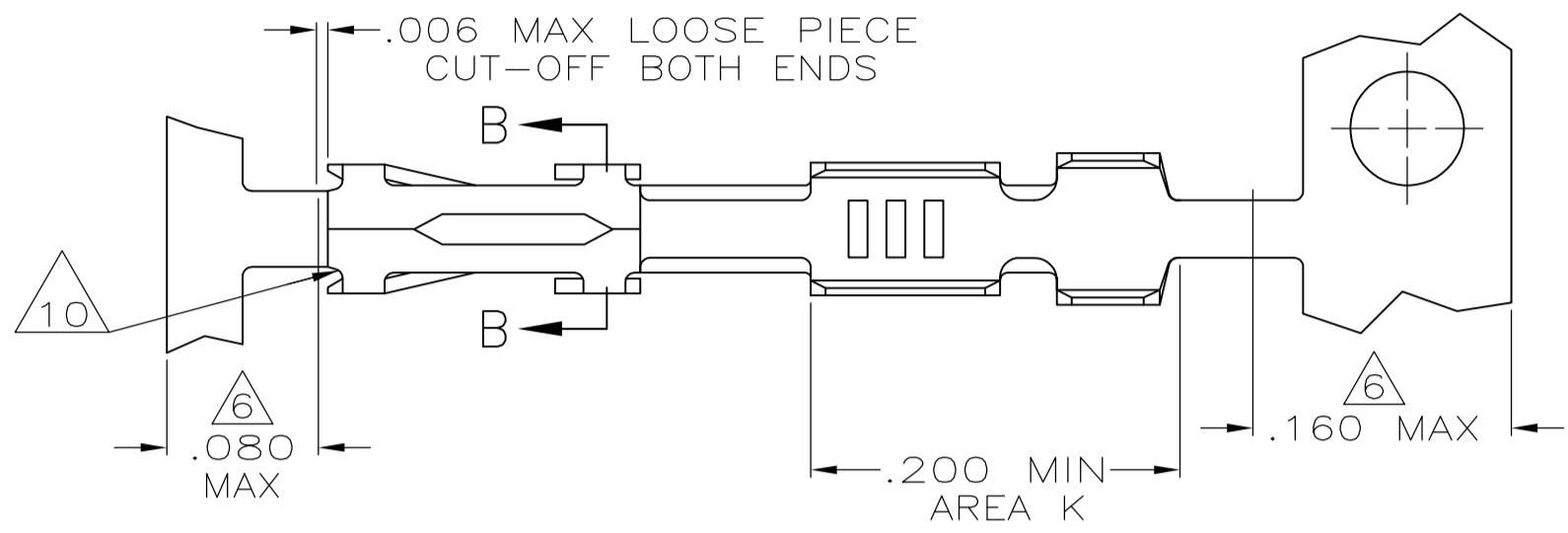
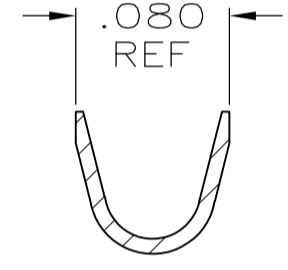


勝特力材料 886-3-5753170
勝特力电子(上海) 86-21-34970699
勝特力电子(深圳) 86-755-83298787
Http://www.100y.com.tw

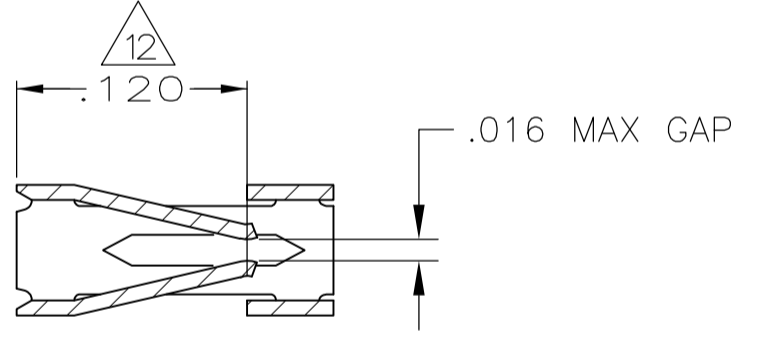
- 1 REELED FOR MINI-APPLICATOR.
- 2 GOLD FLASH OVER NICKEL, .000015 GOLD ON CONTACT AREA.
- 3 GOLD FLASH OVER NICKEL, .000030 GOLD ON CONTACT AREA.
- 4 PREPLATED 0.00127-0.00381 (.000050-.000150) BRIGHT TIN.
- 5 .000050 NICKEL ON ENTIRE CONTACT, .000015 GOLD IN CONTACT AREA.
- 6 GOLD PLATING NOT REQUIRED IN THIS AREA.
- 7 SHEARED EDGES PERMITTED TO BE UNPLATED.
- 8 .000050 NICKEL ENTIRE CONTACT, .000015 GOLD ON CONTACT AREA, .000100-.000200 BRIGHT TIN LEAD IN AREA K.
- 9 GOLD FLASH OVER NICKEL, .000050 GOLD ON CONTACT AREA.
- 10 CUT OUTS ON BOX AT MANUFACTURER'S OPTION.
- 11 .000030 GOLD IN CONTACT AREA, .000100-.000200 BRIGHT TIN-LEAD IN AREA K, ALL OVER .000050 NICKEL.
- 12 POINT OF MEASUREMENT FOR PLATING THICKNESS (INSIDE BEAMS).
- 13 .000030 GOLD IN CONTACT AREA, .000100-.000200 TIN IN AREA K, ALL OVER .000050 NICKEL.
- 14 .000050 NICKEL ENTIRE CONTACT, .000015 GOLD ON CONTACT AREA, .000100-.000200 TIN IN AREA K.



WIRE SIZE #22-#26
SECTION E-E



INSULATION RANGE .061 MAX
SECTION G-G



SECTION D-D

LOOSE PIECE	REF	6-87756-8
REELED	REF	6-87756-7
LOOSE PIECE	REF	6-87756-6
REELED	REF	6-87756-2
LOOSE PIECE	REF	1-87756-8
REELED	REF	1-87756-7
LOOSE PIECE	REF	1-87756-6
OBSOLETE LOOSE PIECE	REF	1-87756-4
REELED	REF	1-87756-2
REELED	REF	1-87756-1
OBSOLETE REELED	REF	1-87756-0
LOOSE PIECE	REF	87756-7
REELED	REF	87756-6
LOOSE PIECE	REF	87756-5
REELED	REF	87756-4
LOOSE PIECE	REF	87756-3
REELED	REF	87756-2
DESCRIPTION	FINISH	PART NUMBER

THIS DRAWING IS A CONTROLLED DOCUMENT.

DIMENSIONS: INCHES	TOLERANCES UNLESS OTHERWISE SPECIFIED:	DIN L.D.RINGLEY 12-10-85	CHK J. GESFORD 12-16-85	APPROVED J. GESFORD 12-16-85	NAME
0 PLC ± -	1 PLC ± -	2 PLC ± -	3 PLC ± .005	4 PLC ± -	ANGLES ± -
MATERIAL .008 THK CU-SN-P ALLOY 521	FINISH SEE TABLE	WEIGHT	SIZE A1	CAGE CODE 00779	DRAWING NO. 87756
CUSTOMER DRAWING		SCALE 10:1	SHEET 1 OF 1	REV T2	RESTRICTED TO

STE TE Connectivity

CONTACT, FEMALE, MOD IV, CRIMP SNAP-IN

Mouser Electronics

Authorized Distributor

Click to View Pricing, Inventory, Delivery & Lifecycle Information:

[TE Connectivity:](#)

[6-87756-2](#)