

THIS DRAWING IS UNPUBLISHED.

RELEASED FOR PUBLICATION

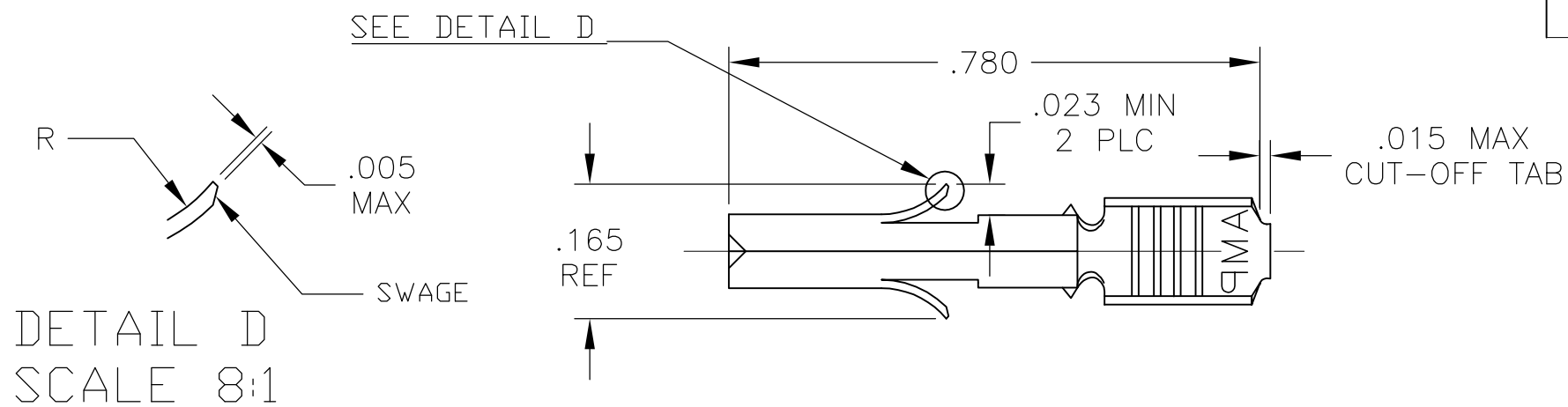
ALL RIGHTS RESERVED.

© COPYRIGHT - By -

LOC AF DIST 50

REVISIONS

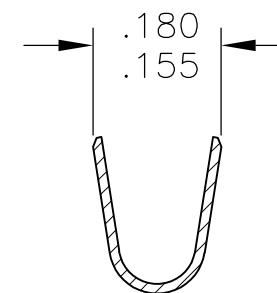
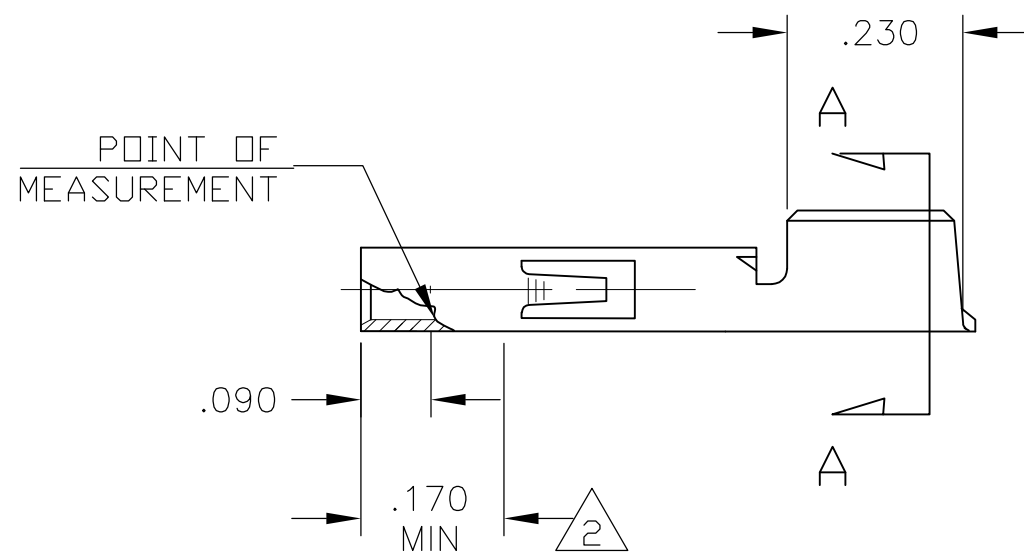
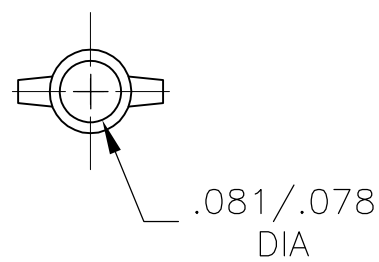
P	LTR	DESCRIPTION	DATE	DWN	APVD
G2		REV PER ECO 11-020508	11OCT11	JR	TM



1. WIRE RANGE : 12-10 AWG  
INSULATION RANGE: .200 DIA MAX  
(LIMITED BY THE CONNECTOR HOUSING CAVITY).

2. .000030 THK GOLD, OVER .000050 NICKEL UNDERPLATE ON INSIDE OF RECEPTACLE, REMAINDER OF CONTACT IS NICKEL PLATED.

DETAIL D  
SCALE 8:1



SECTION A-A

勝特力材料 886-3-5753170  
勝特力电子(上海) 86-21-34970699  
勝特力电子(深圳) 86-755-83298787  
[Http://www.100y.com.tw](http://www.100y.com.tw)

GOLD 2	.012±.001 PHOS BRZ	640310-6
PRE-TIN	.012±.001 PHOS BRZ	640310-3
FINISH	MATERIAL	PART NUMBER

THIS DRAWING IS A CONTROLLED DOCUMENT.		DWN jr_ruth 11OCT11	TE Connectivity					
DIMENSIONS: INCHES		CHK TOM MICHIELUTTI 11OCT11				NAME TOM MICHIELUTTI		
TOLERANCES UNLESS OTHERWISE SPECIFIED:		APVD TOM MICHIELUTTI 11OCT11						
0 PLC ± - 1 PLC ± - 2 PLC ± - 3 PLC ± .010 4 PLC ± - ANGLES ± -		PRODUCT SPEC -				SOCKET UNIVERSAL MATE-N-LOK LOOSE PIECE		
MATERIAL -		FINISH -	APPLICATION SPEC -	SIZE A3	CAGE CODE 00779	DRAWING NO C-640310	RESTRICTED TO -	
CUSTOMER DRAWING			WEIGHT -	SCALE 4:1	SHEET 1 OF 1	REV G2		