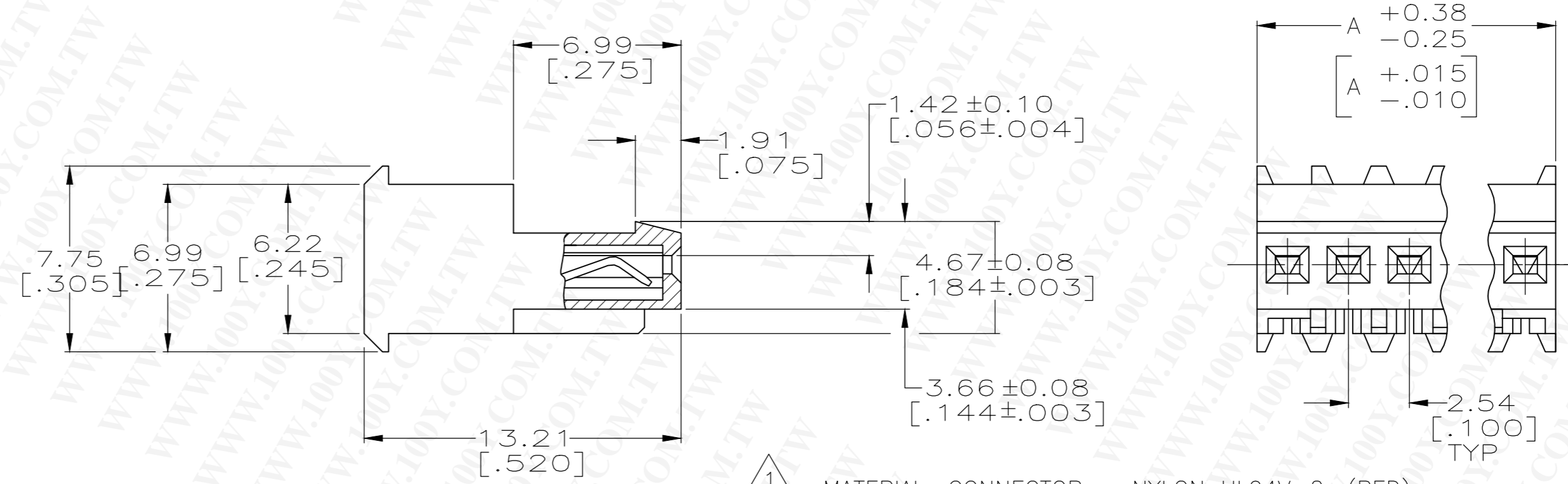
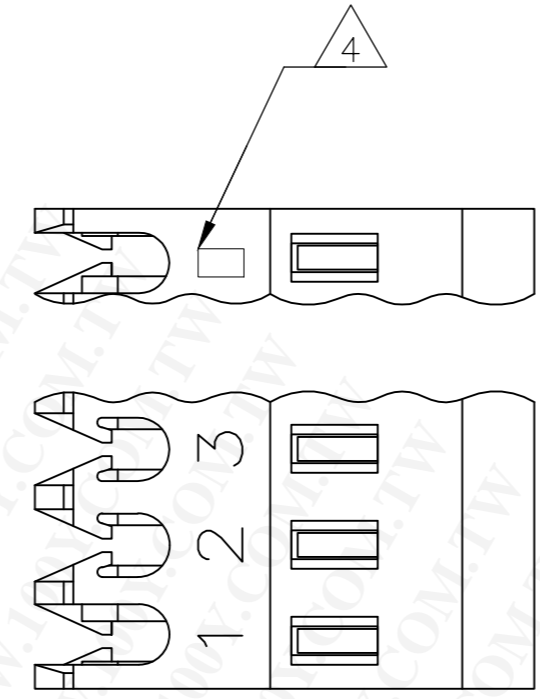


THIS DRAWING IS UNPUBLISHED. RELEASED FOR PUBLICATION
 © COPYRIGHT - By - TE CONNECTIVITY ALL RIGHTS RESERVED.

LOC		DIST		REVISIONS			
P	LTR	DESCRIPTION	DATE	DWN	APVD		
S1		ECO-14-010907	06SEP14	KR	OC		

	DIM A	NO. OF CIRCUITS	PART NO.	
YES	71.12[2.800]	28	5-640620-8	
YES	68.58[2.700]	27	5-640620-7	
YES	66.04[2.600]	26	5-640620-6	
YES	63.50[2.500]	25	5-640620-5	
YES	60.96[2.400]	24	5-640620-4	
YES	58.42[2.300]	23	5-640620-3	
YES	55.88[2.200]	22	5-640620-2	
YES	53.34[2.100]	21	5-640620-1	
YES	50.80[2.000]	20	5-640620-0	
YES	48.26[1.900]	19	4-640620-9	
YES	45.72[1.800]	18	4-640620-8	
YES	43.18[1.700]	17	4-640620-7	
YES	40.64[1.600]	16	4-640620-6	
YES	38.10[1.500]	15	4-640620-5	
YES	35.56[1.400]	14	4-640620-4	
YES	33.02[1.300]	13	4-640620-3	
YES	30.48[1.200]	12	4-640620-2	
YES	27.94[1.100]	11	4-640620-1	
YES	25.40[1.000]	10	4-640620-0	
YES	22.86[.900]	9	3-640620-9	
YES	20.32[.800]	8	3-640620-8	
YES	17.78[.700]	7	3-640620-7	
YES	15.24[.600]	6	3-640620-6	
YES	12.70[.500]	5	3-640620-5	
YES	10.16[.400]	4	3-640620-4	
YES	7.62[.300]	3	3-640620-3	
YES	5.08[.200]	2	3-640620-2	
NO	71.12[2.800]	28	2-640620-8	SUPERSEDED
NO	68.58[2.700]	27	2-640620-7	SUPERSEDED
NO	66.04[2.600]	26	2-640620-6	SUPERSEDED
NO	63.50[2.500]	25	2-640620-5	SUPERSEDED
NO	60.96[2.400]	24	2-640620-4	SUPERSEDED
NO	58.42[2.300]	23	2-640620-3	SUPERSEDED
NO	55.88[2.200]	22	2-640620-2	SUPERSEDED
NO	53.34[2.100]	21	2-640620-1	SUPERSEDED
NO	50.80[2.000]	20	2-640620-0	SUPERSEDED
NO	48.26[1.900]	19	1-640620-9	SUPERSEDED
NO	45.72[1.800]	18	1-640620-8	SUPERSEDED
NO	43.18[1.700]	17	1-640620-7	OBSELETE
NO	40.64[1.600]	16	1-640620-6	SUPERSEDED
NO	38.10[1.500]	15	1-640620-5	SUPERSEDED
NO	35.56[1.400]	14	1-640620-4	SUPERSEDED
NO	33.02[1.300]	13	1-640620-3	SUPERSEDED
NO	30.48[1.200]	12	1-640620-2	SUPERSEDED
NO	27.94[1.100]	11	1-640620-1	SUPERSEDED
NO	25.40[1.000]	10	1-640620-0	SUPERSEDED
NO	22.86[.900]	9	640620-9	SUPERSEDED
NO	20.32[.800]	8	640620-8	SUPERSEDED
NO	17.78[.700]	7	640620-7	SUPERSEDED
NO	15.24[.600]	6	640620-6	SUPERSEDED
NO	12.70[.500]	5	640620-5	SUPERSEDED
NO	10.16[.400]	4	640620-4	SUPERSEDED
NO	7.62[.300]	3	640620-3	SUPERSEDED
NO	5.08[.200]	2	640620-2	SUPERSEDED
LEADFREE				



- 1 MATERIAL: CONNECTOR - NYLON UL94V-2. (RED)
CONTACTS - 0.30[.012] THICK COPPER ALLOY
BRIGHT TIN-LEAD .00203[.000080] MIN THICKNESS
FOR 640620-2 THRU 2-640620-8.
MATTE WHISKER MITIGATED TIN .00203[.000080] MIN THICKNESS OVER
NICKEL UNDERPLATE FOR 3-640620-2 THRU 5-640620-8.
- 2 CONTACTS ACCEPT 22 AWG WIRE WITH 1.52[.060] MAX
INSULATION DIAMETER.
- 3 CONTACTS MUST ACCEPT 0.64#0.03[.025# .762]
POST AND REMAIN LOCKED IN POSITION.
- 4 IDENTIFICATION NUMBER FOR LAST CIRCUIT MAY
NOT APPEAR ON ALL ASSEMBLIES.
- 5 DIMENSIONS IN BRACKETS ARE IN INCHES.
- 6 HOUSING FEATURES ARE: FEED THRU WITH LOCKING
RAMP.
- 7 OBSOLETE PARTS: OBSOLETE CIS STREAMLINING PER D.RENAUD/D.SINISI

勝特力材料 886-3-5753170
 勝特力电子(上海) 86-21-34970699
 勝特力电子(深圳) 86-755-83298787
[Http://www.100y.com.tw](http://www.100y.com.tw)

THIS DRAWING IS A CONTROLLED DOCUMENT.		DWN S. CARPENTER 11JUN2003	TE Connectivity	
DIMENSIONS: mm [INCHES]		CHK D. BOSSI 11JUN2003		
TOLERANCES UNLESS OTHERWISE SPECIFIED:		APVD D. BOSSI 11JUN2003	NAME MTA 100 CONNECTOR ASSEMBLY, 22 AWG, STANDARD	
0 PLC ± -	1 PLC ± -	PRODUCT SPEC 108-1050	SIZE A2	CAGE CODE 00779
2 PLC ± -	3 PLC ± 0.13 [.005]	APPLICATION SPEC 114-1019	DRAWING NO C=640620	RESTRICTED TO -
4 PLC ± -	ANGLES ± -	WEIGHT -	SCALE 5:1	SHEET 1 of 1
MATERIAL 1	FINISH 1	CUSTOMER DRAWING	REV S1	