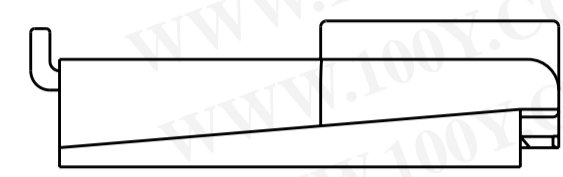
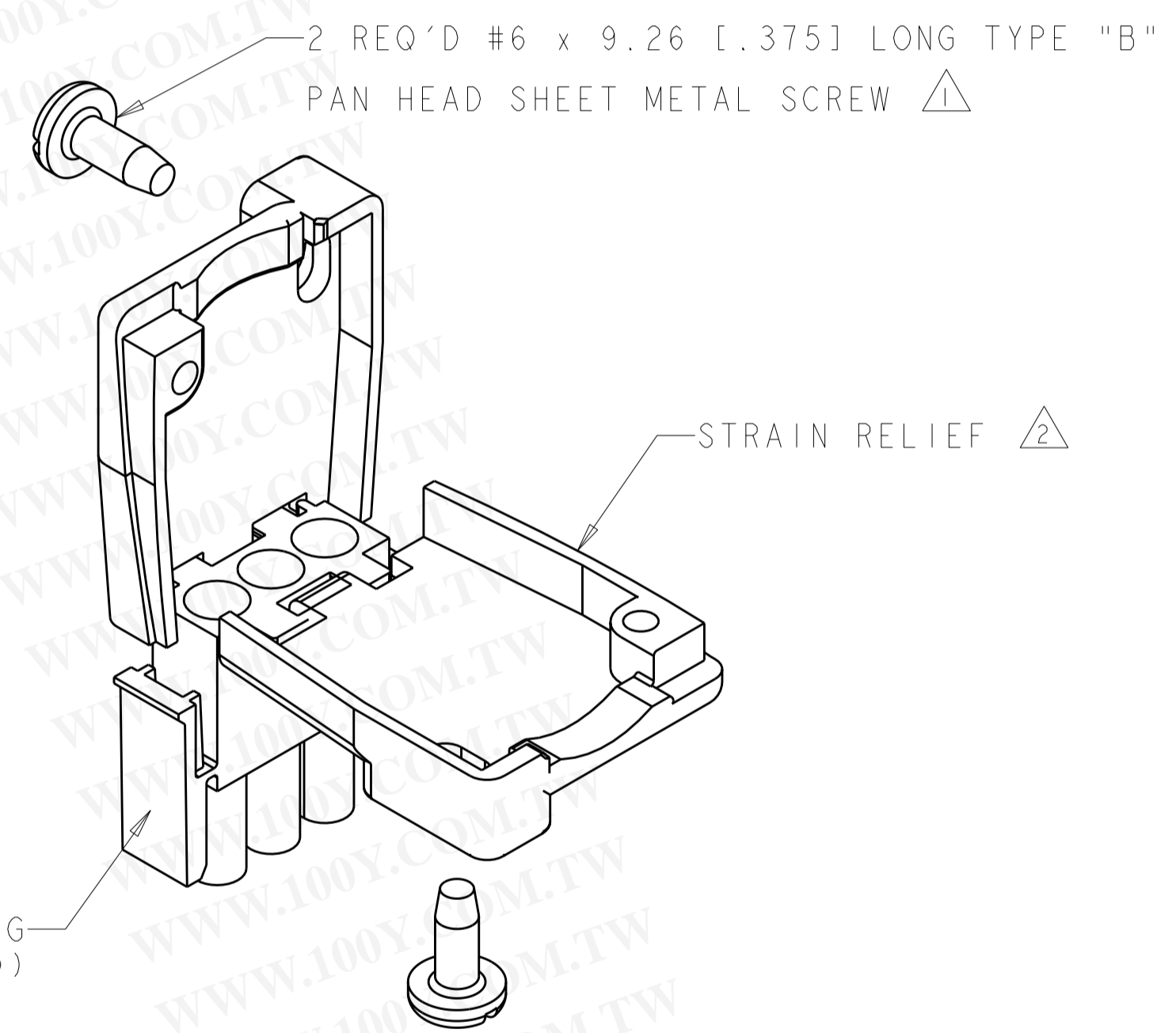
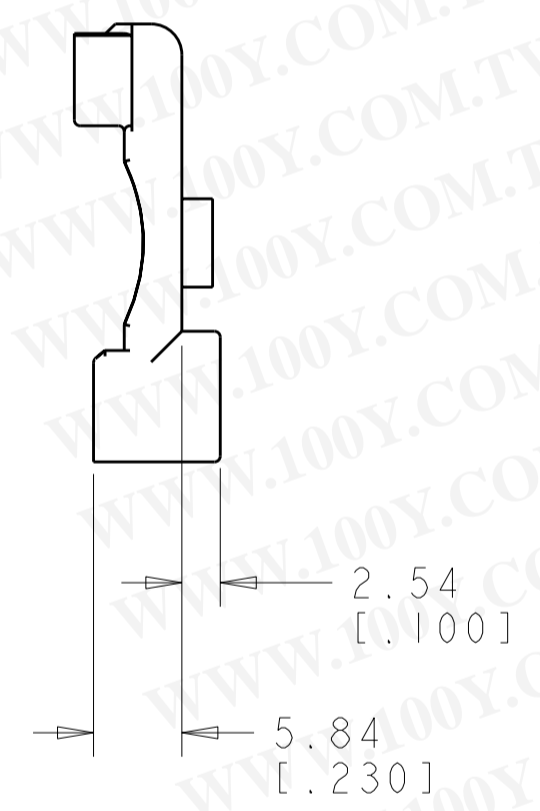
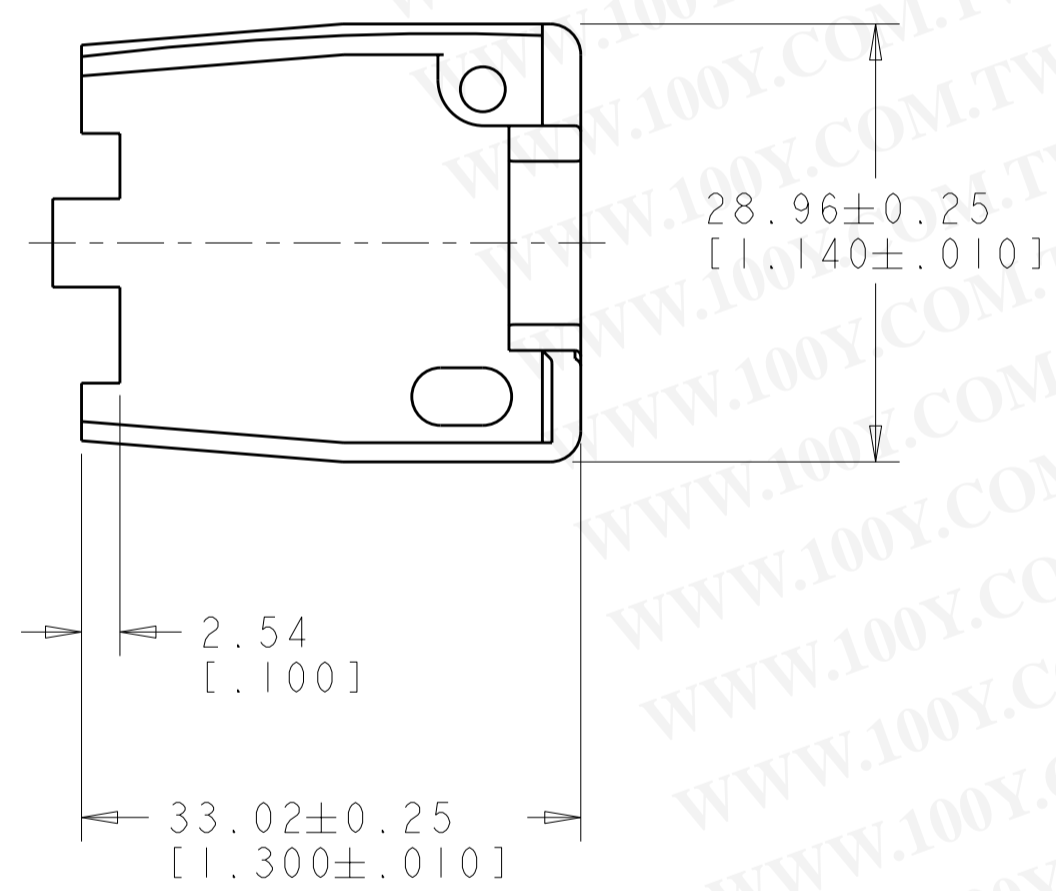


THIS DRAWING IS UNPUBLISHED. RELEASED FOR PUBLICATION 20
 © COPYRIGHT 20 BY TYCO ELECTRONICS CORPORATION. ALL RIGHTS RESERVED.

LOC	DIST	REVISIONS					
CM	00	P	LTR	DESCRIPTION	DATE	DWN	APVD
		C		REVISED PER 063B-0243-02	22-MAY-02	KW	SR
		D		REVISED PER ECO-05-014481	30NOV05	KW	SR
		DI		REVISED PER ECO-07-005782	14MAR2007	KW	DC



- ① SHEET METAL SCREWS NOT SUPPLIED.
- ② TWO REQUIRED PER CONNECTOR.
- 4. DESIGNED TO ACCEPT CABLE WITH 5.08 - 8.89 [.200 - .350] OUTSIDE DIAMETER.



GRAY	641763-8	①
BLACK	641763-2	①
NATURAL	641763-1	①
COLOR	PART NUMBER	

勝特力材料 886-3-5753170
 勝特力电子(上海) 86-21-34970699
 勝特力电子(深圳) 86-755-83298787
[Http://www.100y.com.tw](http://www.100y.com.tw)

METRIC

<small>THIS DRAWING IS A CONTROLLED DOCUMENT FOR TYCO ELECTRONICS CORPORATION. IT IS SUBJECT TO CHANGE AND THE CONTROLLING ENGINEERING ORGANIZATION SHOULD BE CONTACTED FOR THE LATEST REVISION.</small>		DWN K WHITAKER 22MAY2002 CHK S RIDGILL 22MAY2002 APVD S RIDGILL 22MAY2002	tyco Electronics Tyco Electronics Harrisburg, PA 17105-3608
DIMENSIONS: mm [INCHES]	TOLERANCES UNLESS OTHERWISE SPECIFIED: 0 PLC ± 1 PLC ± 2 PLC ±0.13(.005) 3 PLC ± 4 PLC ± ANGLES ± FINISH ±	PRODUCT SPEC APPLICATION SPEC WEIGHT CUSTOMER DRAWING	NAME STRAIN-RELIEF, UNIVERSAL MATE-N-LOK(TM) 3 CIRCUIT SIZE A2 CAGE CODE 00779 DRAWING NO. 641763 RESTRICTED TO - SCALE 2:1 SHEET 1 OF 1 REV D1