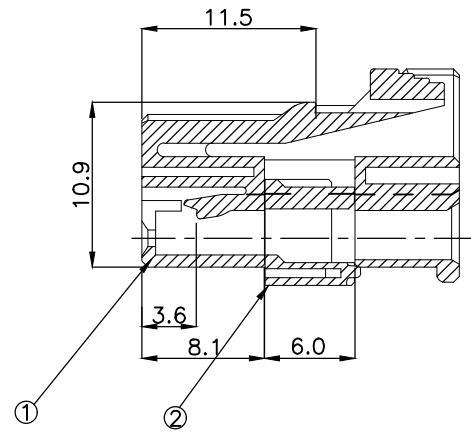
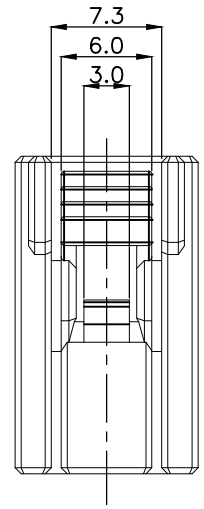
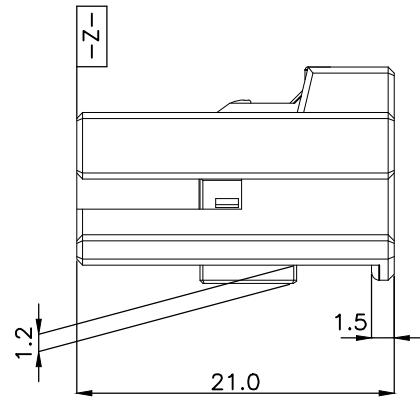
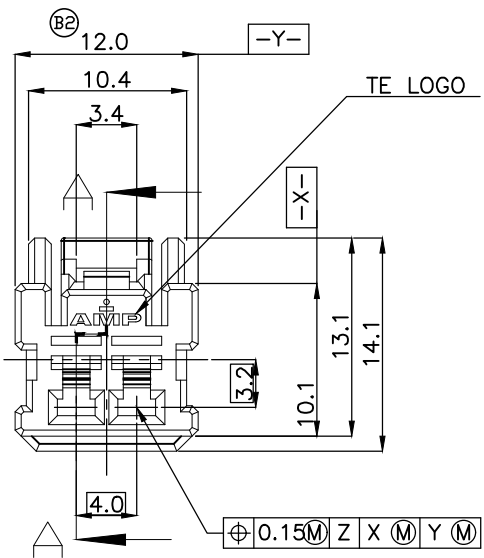


REVISIONS					
P	LTR	DESCRIPTION	DATE	DWN	APVD
B3	REVISED	ECR-20-002938	17JUL2020	VI	SPB



SECTION A - A

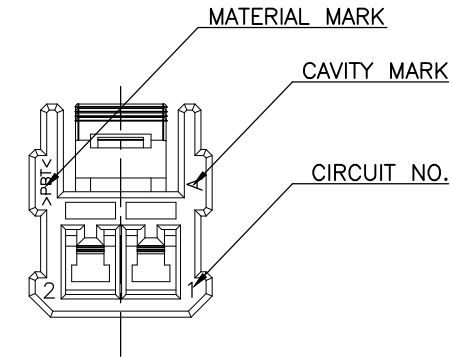


NOTES.

- THE MATING HSG. P/N ; 936236
- APPLIED CONTACT P/N ;
 090 II REC. - 368083, 368084, 368085
 090 III REC. - 1743654, 1743655, 1743656, 1897753, 1897598

-추가-

- 상대 하우징 P/N. ; 936236
- 적용단자 P/N. ; 090 II REC. - 368083, 368084, 368085
 090 III REC. - 1743654, 1743655, 1743656, 1897753, 1897598



ASSY P/N	QTY
0-936224-8	1
0-936224-5	1
0-936224-4	1
0-936224-3	1
0-936224-2	1
0-936224-1	1

TOLERANCES UNLESS OTHERWISE SPECIFIED:

0 <XX<10	± 0.2
10<XX<30	± 0.25
30<XX	± 0.3
ANGLES	± 3°

NO	COLOR	MATERIAL	DESCRIPTION	P/N	QTY
1	BLUE	PBT	PLUG	0-936225-8	1
	YELLOW	PBT	PLUG	0-936225-5	1
	BROWN	PBT	PLUG	0-936225-4	1
	D/GRAY	PBT	PLUG	0-936225-3	1
	BLACK	PBT	PLUG	0-936225-2	1
	NATURAL	PBT	PLUG	0-936225-1	1
2	NATURAL	PBT	DBL	0-936226-1	1 1 1 1 1 1

THIS DRAWING IS A CONTROLLED DOCUMENT.		DWN KT LIM	TE Connectivity 090III 2P PLUG ASS'Y					
DIMENSIONS: mm		CHK JK SONG				NAME		
TOLERANCES UNLESS OTHERWISE SPECIFIED:		APVD CS LEE				PRODUCT SPEC		
0 PLC ± - 1 PLC ± - 2 PLC ± - 3 PLC ± - 4 PLC ± - ANGLES ± -		PRODUCT SPEC				APPLICATION SPEC		
MATERIAL SEE TABLE		FINISH -	WEIGHT 0	SIZE A3	CAGE CODE 00779	DRAWING NO C-936224	RESTRICTED TO -	
CUSTOMER DRAWING				SCALE 1:1	SHEET 1 OF 1	REV B3		