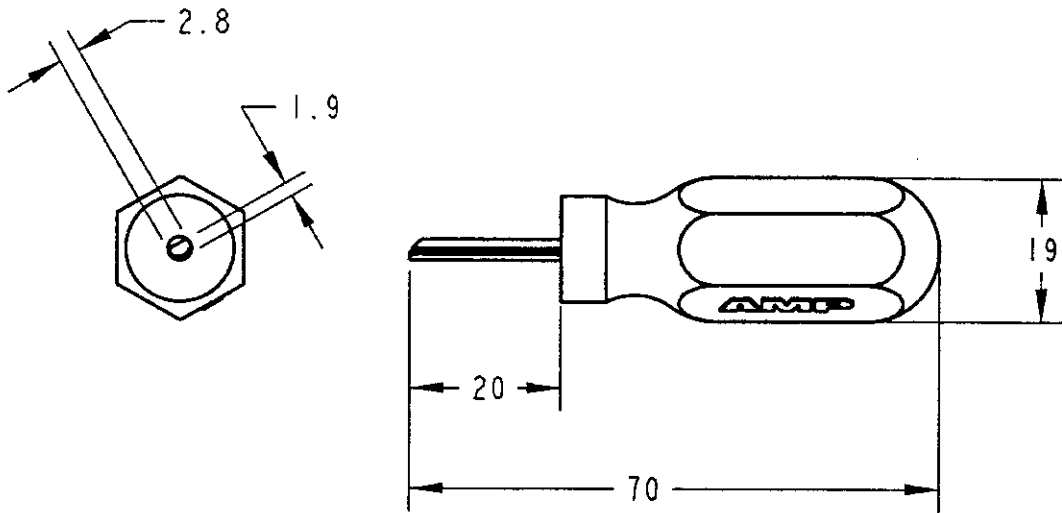


LOC	DIST	REVISIONS						
		P	LTR	DESCRIPTION	ECN	DATE	DWN	APVD
J	-		0	RELEASED	FJ00-0704-97	14MAY97	J.K	H.T

勝特力材料 886-3-5753170
 勝特力电子(上海) 86-21-34970699
 勝特力电子(深圳) 86-755-83298787
 Http://www.100y.com.tw



- APPLICABLE PRODUCTS

TERMINAL (STRIP): 171630-□ / 171662-□ EJ-11, EJ-11⁺ REC

HOUSING PLUG: 174352-□ EJ-11, EJ-11⁺
- INSTRUCTION SHEET NO: 411-5821

RELEASED FOR PUBLICATION .1997.11.11

THIS DRAWING IS UNPUBLISHED.

© COPYRIGHT 1997.11.11 BY AMP INCORPORATED. ALL RIGHTS RESERVED.

DIMENSIONS: 单位: 毫米 mm		DWN J.K 14-May-97	WIRE RANGE 適合电线的规格	INSULATION DIA 绝缘外径
TOLERANCES UNLESS OTHERWISE SPECIFIED: 公差 10 : ±0.2 30 > : ±0.25 100 > : ±0.3 ANGLE : 1/2°		CHK J.KOGA 14 MAY 97	MATERIAL 材料	FINISH 仕上
APVD H.TANAKA 14 MAY 97		AMP 日本エー・エル・ピー株式会社 Kawasaki, Japan		
PRODUCT SPEC 製品规格		NAME 名称 EXT-TOOL FOR 070 EJ-11 CONN		
APPLICATION SPEC 取付用规格		SIZE A4	CAGE CODE 00779	DRAWING NO 番号 C-937313-1
WEIGHT 重量		RESTRICTED TO		
CUSTOMER DRAWING		SCALE 尺度 1:1	SHEET 1	OF 1
				REV 0