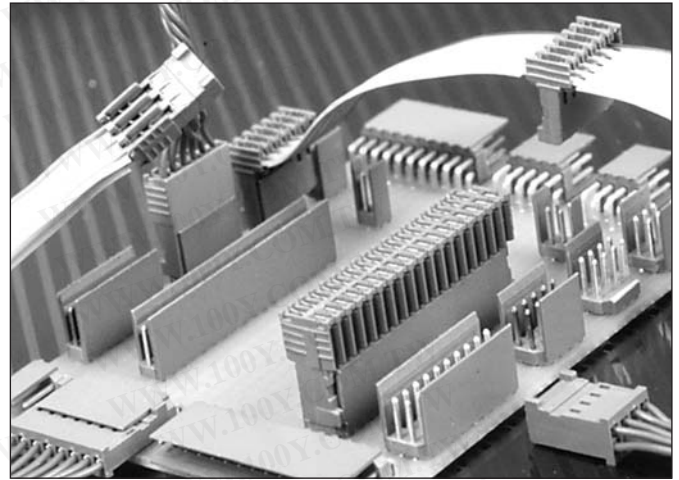


**Product Facts**

- Receptacle assemblies preloaded with Insulation Displacement Contacts (IDC) to terminate discrete wires or 2.54mm centreline ribbon cable
- Receptacle housings accept crimp snap-in contacts to terminate discrete wires
- Headers provided for straight or right-angle mounting to be soldered onto 1.6mm printed circuit boards
- Protective header shrouds feature an integrated detent latching device
- Compliant to the CEI IEC 603-8 International Standard

**Specification:**

- |  |  |
|--|--|
| <b>Current Rating</b>                  | - 3 A max at 20°C  |
| <b>Contact Resistance</b>              | - 20 mΩ max (HE 13)<br>- 30 mΩ max (HE 14)   |
| <b>Dielectric Withstanding Voltage</b> | - 1000 V rms (HE 13)<br>- 500 V rms (HE 14)  |
| <b>Insulation Resistance</b>           | - 5000 MΩ (HE 13)<br>- 1000 MΩ (HE 14)   |
| <b>Operating Temperature</b>           | - -55°C to +125°C (HE 13)<br>- -40°C to +100°C (HE 14)   |
| <b>Durability</b>                      | - 400 cycles (HE 13)<br>- 30 cycles (HE 14)  |
| <b>Insertion/Withdrawal Force</b>      | - 1.5 N max per contact + latching force (HE 13)<br>- 3 N max per contact + latching force (HE 14) |



勝特力材料 886-3-5753170  
 勝特力电子(上海) 86-21-34970699  
 勝特力电子(深圳) 86-755-83298787  
[Http://www.100y.com.tw](http://www.100y.com.tw)

A multi-contact connector range designed to reliably meet today's interconnection requirements for signal transmission in a variety of computer, telecommunications and industrial applications.

Complying fully with the CEI IEC 603-8 international standard, this wire-to-board interconnection system is composed of IDC receptacle assemblies for discrete wires or ribbon cable, receptacle housings for crimp snap-in receptacle contacts, and vertical or right-angle shrouded and polarised board-mount headers.

All products are available with a choice of gold (HE 13) or tin (HE 14) plating finishes.

**IDC Receptacle Assemblies**

**Straight Single Row**

**Specification:**

**Housing**

- Blue flame retardant glass filled polyester, UL 94V-0 rated

**Contacts**

- Phosphor bronze, plated as follows:

**HE 13**

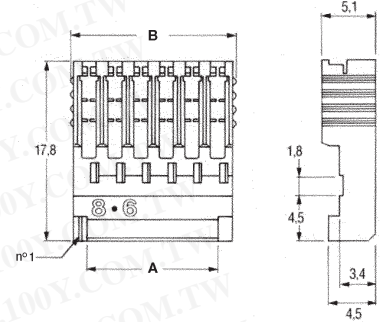
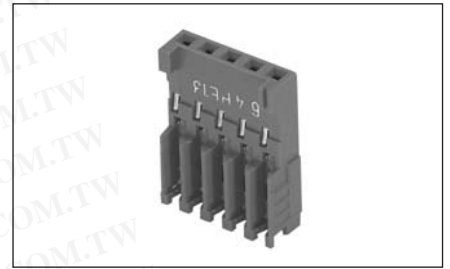
- Selectively plated 0.4 µm gold on contact area, 0.8 µm tin min on termination area with entire contact underplated 1.3 µm nickel

**HE 14**

- Plated 1 µm min. tin

**Mating Connectors:**

HE 13 / HE 14 Shrouded Headers - Pages 44-45



**Technical Documents:**

Product Specification - 108-15053

Application Specification - 114-15031

No. of Positions	Dimension		Part Number - HE 13		Part Number - HE 14	
	A	B	28-26 AWG Loose Piece	26-24 AWG Loose Piece	28-26 AWG Loose Piece	26-24 AWG Loose Piece
2	2.54	5.88	281787-2	281784-2	281786-2	281783-2
3	5.08	8.42	281787-3	281784-3	281786-3	281783-3
4	7.62	10.96	281787-4	281784-4	281786-4	281783-4
5	10.16	13.50	281787-5	281784-5	281786-5	281783-5
6	12.70	16.04	281787-6	281784-6	281786-6	281783-6
8	17.78	21.12	281787-8	281784-8	281786-8	281783-8
10	22.86	26.20	1-281787-0	1-281784-0	1-281786-0	1-281783-0
12	27.94	31.28	1-281787-2	1-281784-2	1-281786-2	1-281783-2
15	35.56	38.90	1-281787-5	1-281784-5	1-281786-5	1-281783-5
18	43.18	46.52	1-281787-8	1-281784-8	1-281786-8	1-281783-8

**IDC Receptacle Assemblies**

**Straight Double Row**

**Specification:**

**Housing**

- Blue flame retardant glass filled polyester, UL 94V-0 rated

**Contacts**

- Phosphor bronze, plated as follows:

**HE 13**

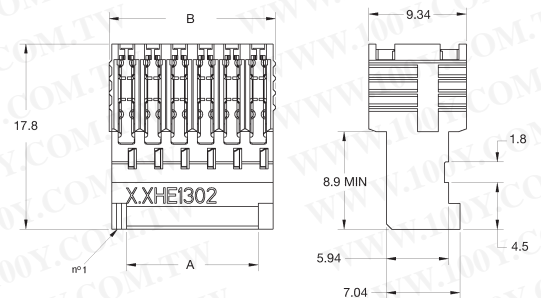
- Selectively plated 0.4 µm gold on contact area, 0.8 µm tin min on termination area with entire contact underplated 1.3 µm nickel

**HE 14**

- Plated 1 µm min. tin

**Mating Connectors:**

HE 13 / HE 14 Shrouded Headers - Pages 44-45



**Technical Documents:**

Product Specification - 108-15053

Application Specification - 114-15031

No. of Positions	Dimension		Part Number - HE 13		Part Number - HE 14	
	A	B	28-26 AWG Loose Piece	26-24 AWG Loose Piece	28-26 AWG Loose Piece	26-24 AWG Loose Piece
2x2	2.54	5.88	281793-2	281790-2	281792-2	281789-2
2x3	5.08	8.42	281793-3	281790-3	281792-3	281789-3
2x4	7.62	10.96	281793-4	281790-4	281792-4	281789-4
2x5	10.16	13.50	281793-5	281790-5	281792-5	281789-5
2x6	12.70	16.04	281793-6	281790-6	281792-6	281789-6
2x8	17.78	21.12	281793-8	281790-8	281792-8	281789-8
2x10	22.86	26.20	1-281793-0	1-281790-0	1-281792-0	1-281789-0
2x12	27.94	31.28	1-281793-2	1-281790-2	1-281792-2	1-281789-2
2x15	35.56	38.90	1-281793-5	1-281790-5	1-281792-5	1-281789-5
2x18	43.18	46.52	1-281793-8	1-281790-8	1-281792-8	1-281789-8

**IDC Receptacle Assemblies**

Right Angle Single Row

**Specification:**

**Housing**

- Blue flame retardant glass filled polyester, UL 94V-0 rated

**Contacts**

- Phosphor bronze, plated as follows:

**HE 13**

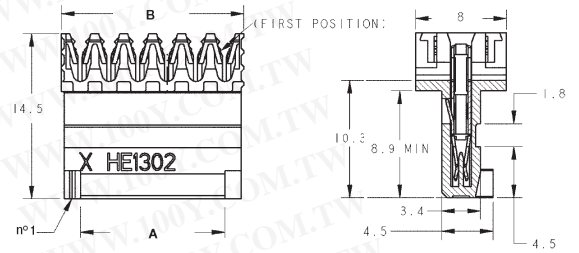
- Selectively plated 0.4 µm gold on contact area, 0.8 µm tin min on termination area with entire contact underplated 1.3 µm nickel

**HE 14**

- Plated 1 µm min. tin

**Mating Connectors:**

HE 13 / HE 14 Shrouded Headers - Pages 44-45



**Technical Documents:**

Product Specification - 108-15053

Application Specification - 114-15030

**HE 13**

No. of Positions	Dimension		Part Number 26 AWG		Part Number 24 AWG	
	A	B	Tube	Loose Piece	Tube	Loose Piece
2	2.54	5.88	281712-2	144274-2	281709-2	144273-2
3	5.08	8.42	281712-3	144274-3	281709-3	144273-3
4	7.62	10.96	281712-4	144274-4	281709-4	144273-4
5	10.16	13.50	281712-5	144274-5	281709-5	144273-5
6	12.70	16.04	281712-6	144274-6	281709-6	144273-6
7	15.24	18.58	281712-7	144274-7	281709-7	144273-7
8	17.78	21.12	281712-8	144274-8	281709-8	144273-8
10	22.86	26.20	1-281712-0	1-144274-0	1-281709-0	1-144273-0
12	27.94	31.28	1-281712-2	1-144274-2	1-281709-2	1-144273-2
15	35.56	38.90	1-281712-5	1-144274-5	1-281709-5	1-144273-5
18	43.18	46.52	1-281712-8	1-144274-8	1-281709-8	1-144273-8

Receptacles for 28 AWG wire available on request

**HE 14**

No. of Positions	Dimension		Part Number 26 AWG		Part Number 24 AWG	
	A	B	Tube	Loose Piece	Tube	Loose Piece
2	2.54	5.88	281711-2	144271-2	281708-2	144270-2
3	5.08	8.42	281711-3	144271-3	281708-3	144270-3
4	7.62	10.96	281711-4	144271-4	281708-4	144270-4
5	10.16	13.50	281711-5	144271-5	281708-5	144270-5
6	12.70	16.04	281711-6	144271-6	281708-6	144270-6
7	15.24	18.58	281711-7	144271-7	281708-7	144270-7
8	17.78	21.12	281711-8	144271-8	281708-8	144270-8
10	22.86	26.20	1-281711-0	1-144271-0	1-281708-0	1-144270-0
12	27.94	31.28	1-281711-2	1-144271-2	1-281708-2	1-144270-2
15	35.56	38.90	1-281711-5	1-144271-5	1-281708-5	1-144270-5
18	43.18	46.52	1-281711-8	1-144271-8	1-281708-8	1-144270-8

Receptacles for 28 AWG wire available on request

**Shrouded Headers**

Straight 0.63mm Square Post

**Specification:**

**Housing**

- Blue flame retardant high temperature nylon, UL 94V-0 rated

**Posts**

- Phosphor bronze, plated as follows:

**HE 13**

- Selectively plated 0.4 µm gold on contact area, gold flash on insertion area, 2.5 µm tin min on solder tail with entire post underplated 1.3 µm nickel

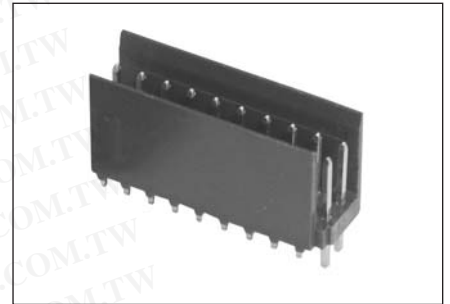
**HE 14**

- Tin plated min. 2.5 µm on solder area, with entire post tin plated 0.8 µm over 0.8 µm nickel

**Mating Connectors:**

HE 13 / HE 14 IDC Receptacles - Pages 42-43

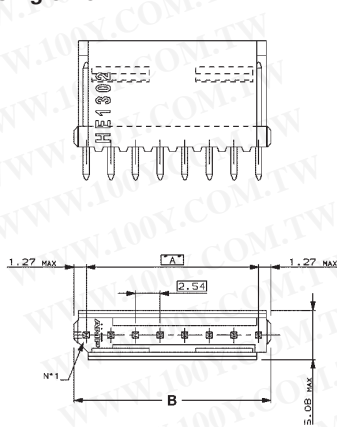
HE 13 / HE 14 Receptacle Housings - Page 46



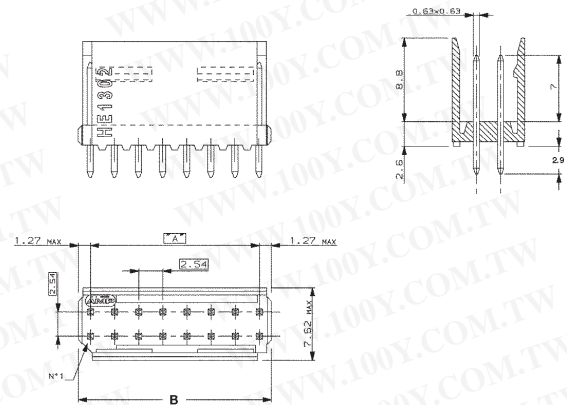
**Technical Documents:**

Product Specification - 108-15053

**Single Row**



**Double Row**



No. of Positions	Dimension		Single Row Type / Part Number		Double Row Type / Part Number	
	A	B	HE 13	HE 14	HE 13	HE 14
2	2.54	5.08	281696-2	281695-2	281740-2	281739-2
3	5.08	7.62	281696-3	281695-3	281740-3	281739-3
4	7.62	10.16	281696-4	281695-4	281740-4	281739-4
5	10.16	12.70	281696-5	281695-5	281740-5	281739-5
6	12.70	15.24	281696-6	281695-6	281740-6	281739-6
7	15.24	17.78	281696-7	281695-7	-	-
8	17.78	20.32	281696-8	281695-8	281740-8	281739-8
10	22.86	25.40	1-281696-0	1-281695-0	1-281740-0	1-281739-0
12	27.94	30.48	1-281696-2	1-281695-2	1-281740-2	1-281739-2
15	35.56	38.10	1-281696-5	1-281695-5	1-281740-5	1-281739-5
18	43.18	45.72	1-281696-8	1-281695-8	1-281740-8	1-281739-8

**Shrouded Headers**

Right Angle 0.63mm Square Post

**Specification:**

**Housing**

- Blue flame retardant high temperature nylon, UL 94V-0 rated

**Posts**

- Phosphor bronze, plated as follows:

**HE 13**

- Selectively plated 0.4 µm gold on contact area, gold flash on insertion area, 2.5 µm tin min on solder tail with entire post underplated 1.3 µm nickel

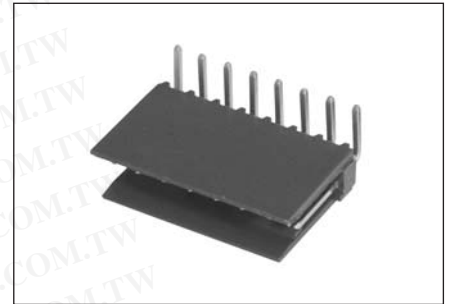
**HE 14**

- Tin plated min. 2.5 µm on solder area, with entire post tin plated 0.8 µm over 0.8 µm nickel

**Mating Connectors:**

HE 13 / HE 14 IDC Receptacles - Pages 42-43

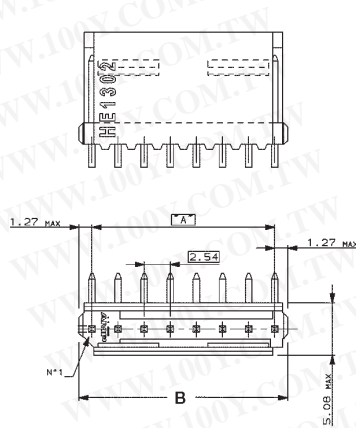
HE 13 / HE 14 Receptacle Housings - Page 46



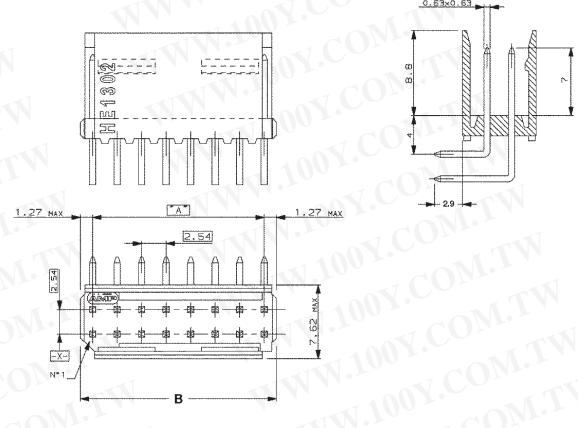
**Technical Documents:**

Product Specification - 108-15053

**Single Row**



**Double Row**



No. of Positions	Dimension		Single Row Type / Part Number		Double Row Type / Part Number	
	A	B	HE 13	HE 14	HE 13	HE 14
2	2.54	5.08	281699-2	281698-2	281743-2	281742-2
3	5.08	7.62	281699-3	281698-3	281743-3	281742-3
4	7.62	10.16	281699-4	281698-4	281743-4	281742-4
5	10.16	12.70	281699-5	281698-5	281743-5	281742-5
6	12.70	15.24	281699-6	281698-6	281743-6	281742-6
7	15.24	17.78	281699-7	281698-7	-	-
8	17.78	20.32	281699-8	281698-8	281743-8	281742-8
10	22.86	25.40	1-281699-0	1-281698-0	1-281743-0	1-281742-0
12	27.94	30.48	1-281699-2	1-281698-2	1-281743-2	1-281742-2
15	35.56	38.10	1-281699-5	1-281698-5	1-281743-5	1-281742-5
18	43.18	45.72	1-281699-8	1-281698-8	1-281743-8	1-281742-8

**Receptacle Housings**

Single and Double Row

**Specification:**

**Housing**

- Blue flame retardant glass filled polyester, UL 94V-0 rated

**Mating Connectors:**

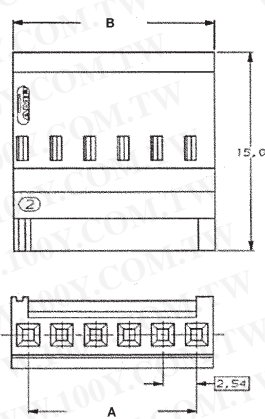
HE 13 / HE 14 Shrouded Headers - Pages 44-45

**Technical Documents:**

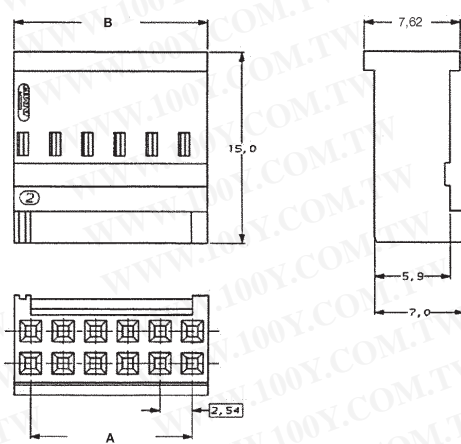
Product Specification - 108-15053



**Single Row**



**Double Row**



No. of Positions	Dimension		Part Number	
	A	B	Single Row	Double Row
3	5.08	7.62	281838-3	281839-3
4	7.62	10.16	281838-4	281839-4
5	10.16	12.70	281838-5	281839-5
6	12.70	15.24	281838-6	281839-6
7	15.24	17.78	281838-7	281839-7
8	17.78	20.32	281838-8	281839-8
10	22.86	25.40	1-281838-0	1-281839-0
12	27.94	30.48	1-281838-2	1-281839-2
15	35.56	38.10	1-281838-5	1-281839-5
18	43.18	45.72	1-281838-8	1-281839-8

**Crimp Snap-In Receptacle Contacts with Insulation Support**

勝特力材料 886-3-5753170  
 勝特力电子(上海) 86-21-34970699  
 勝特力电子(深圳) 86-755-83298787  
[Http://www.100y.com.tw](http://www.100y.com.tw)

**Specification:**

**Material**

- Phosphor bronze, plated as follows:

**HE 13**

- Selectively plated 0.8 μm gold on contact area, 2.5 μm tin on crimp area, with entire contact underplated 1.3 μm nickel

**HE 14**

- Plated 2.5 μm tin



**Technical Documents:**

Product Specification - 108-15053

Wire Size Range mm <sup>2</sup>	AWG	Insulation Diameter mm	Plating	Part Number	
				Strip Form	Loose Piece
0.22-0.08	24-28	1.5-0.8	HE 13	188746-1	182734-3
			HE 14	188744-1	182734-2