

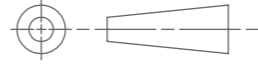
DRAWING NUMBER

603942-ENV

A3

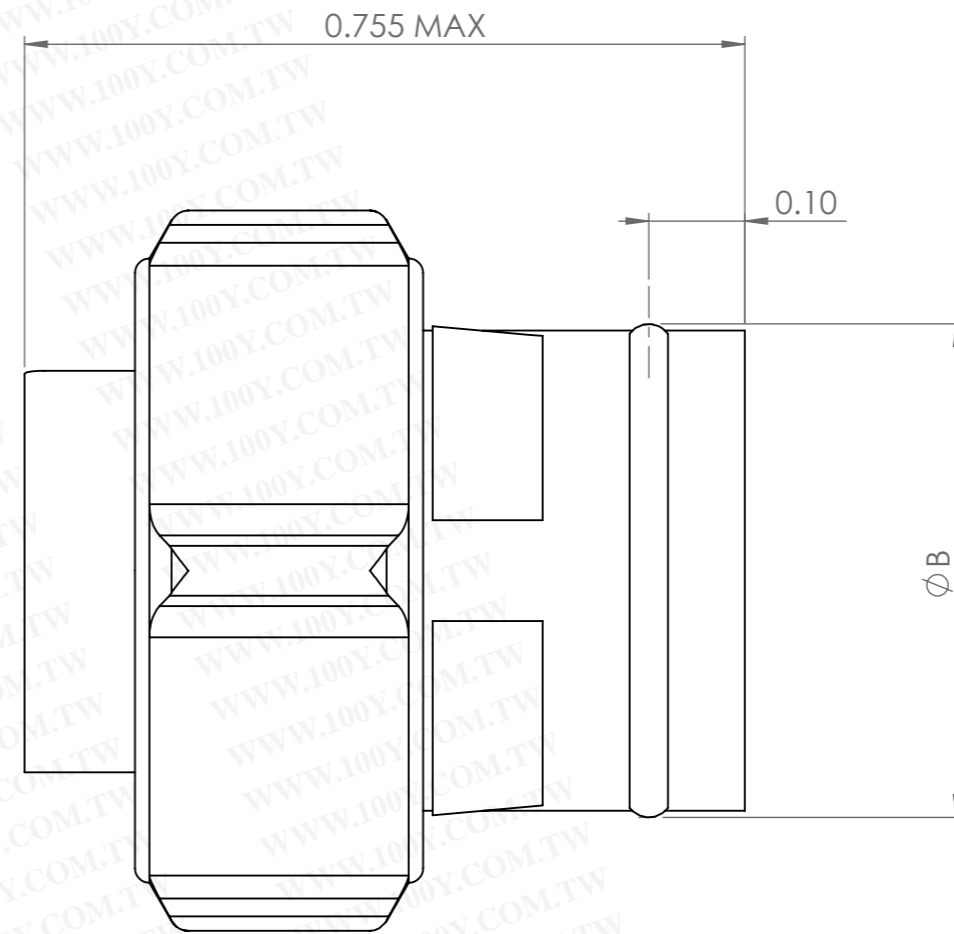
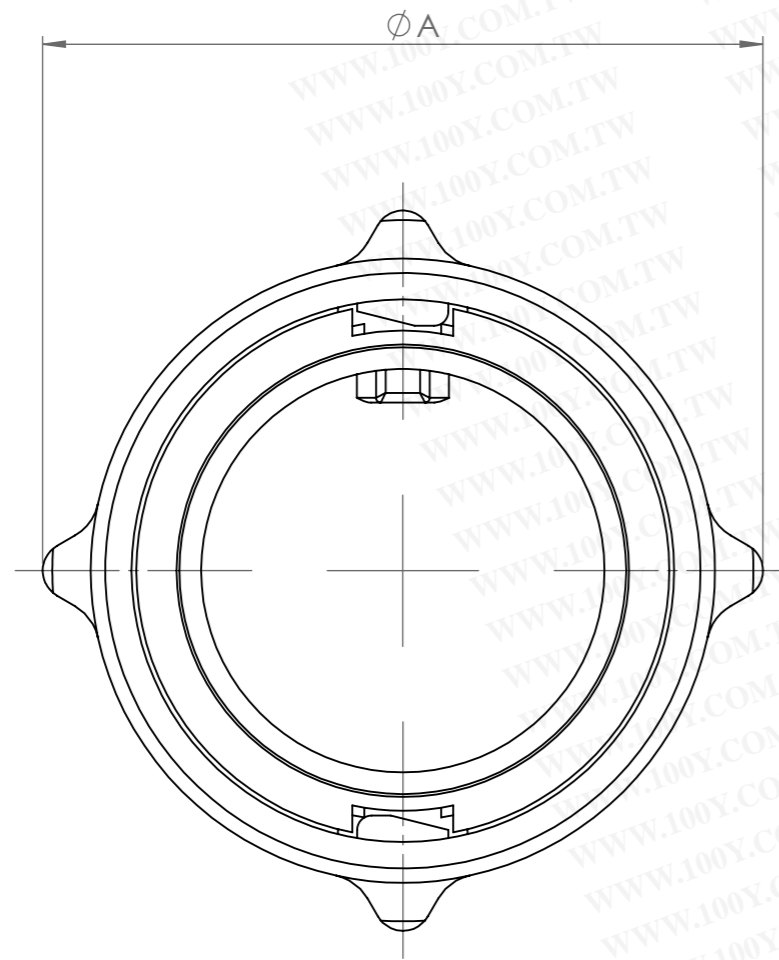
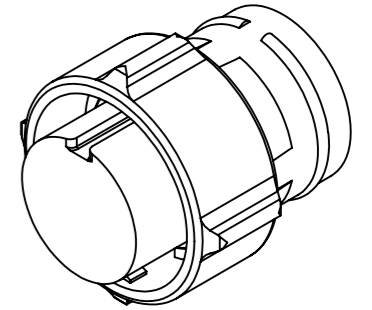
THIRD ANGLE  
PROJECTION

BS 8888



IF IN DOUBT, ASK

勝特力材料 886-3-5753170  
 勝特力电子(上海) 86-21-34970699  
 勝特力电子(深圳) 86-755-83298787  
 Http://www.100y.com.tw



PART No.	ØA MAX	ØB MAX
IMC16-***X	0.600	0.362
IMC26-***X	0.755	0.522

AA	DUK-67068	WS	NDL	NDL	CEO	20/07/2016
ISSUE	CHANGE NOTE	DRAWN	CHECKED	APP. ENG.	APP. MARKETING	DATE

<b>MATERIAL</b>	
<b>HEAT TREATMENT &amp; FINISH</b>	
<b>PACKAGING</b>	
<b>SCALE</b>	2:1
DIMENSIONS IN INCHES UNLESS OTHERWISE STATED	

THIS INFORMATION IS CONFIDENTIAL AND PROPRIETARY TO TYCO ELECTRONICS CORPORATION AND ITS WORLDWIDE SUBSIDIARIES AND AFFILIATES (TE). IT MAY NOT BE DISCLOSED TO ANYONE, OTHER THAN TE PERSONNEL, WITHOUT AUTHORIZATION FROM TE (www.TE.com).	
<b>TITLE</b>	<b>TYPE</b> CUSTOMER DRAWING
PLUG ASSEMBLY ENVELOPE DRAWING	

**TE**  
connectivity **DEUTSCH**  
 ST LEONARDS ON SEA, EAST SUSSEX, TN38 9RF  
 TEL. +44 (0)1424 852721

DRAWING NUMBER

603942-ENV