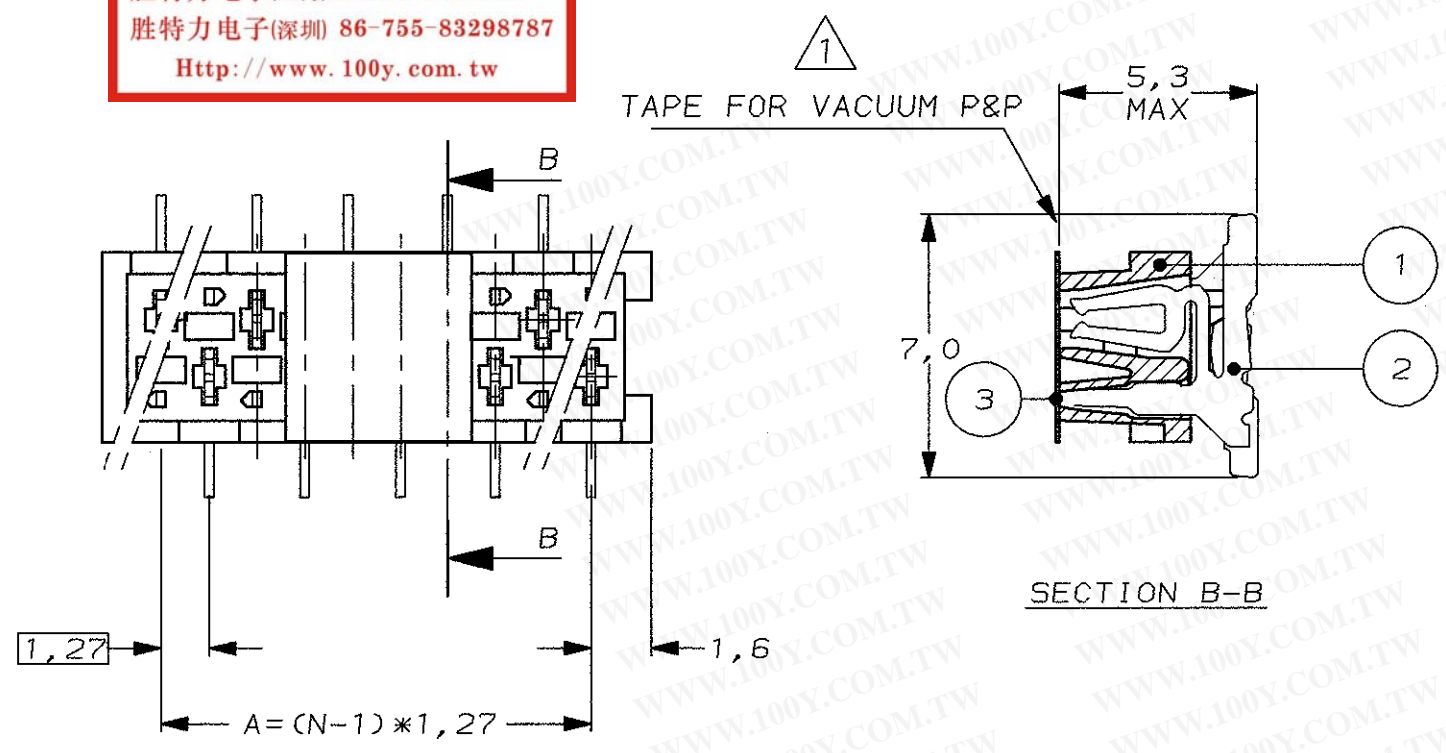


勝特力材料 886-3-5753170
 勝特力电子(上海) 86-21-34970699
 勝特力电子(深圳) 86-755-83298787
 Http://www.100y.com.tw

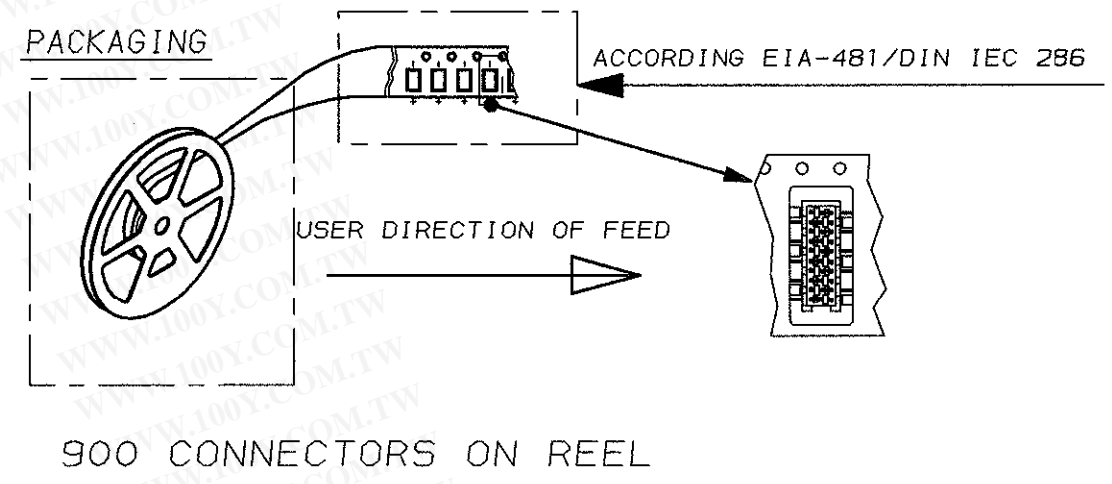
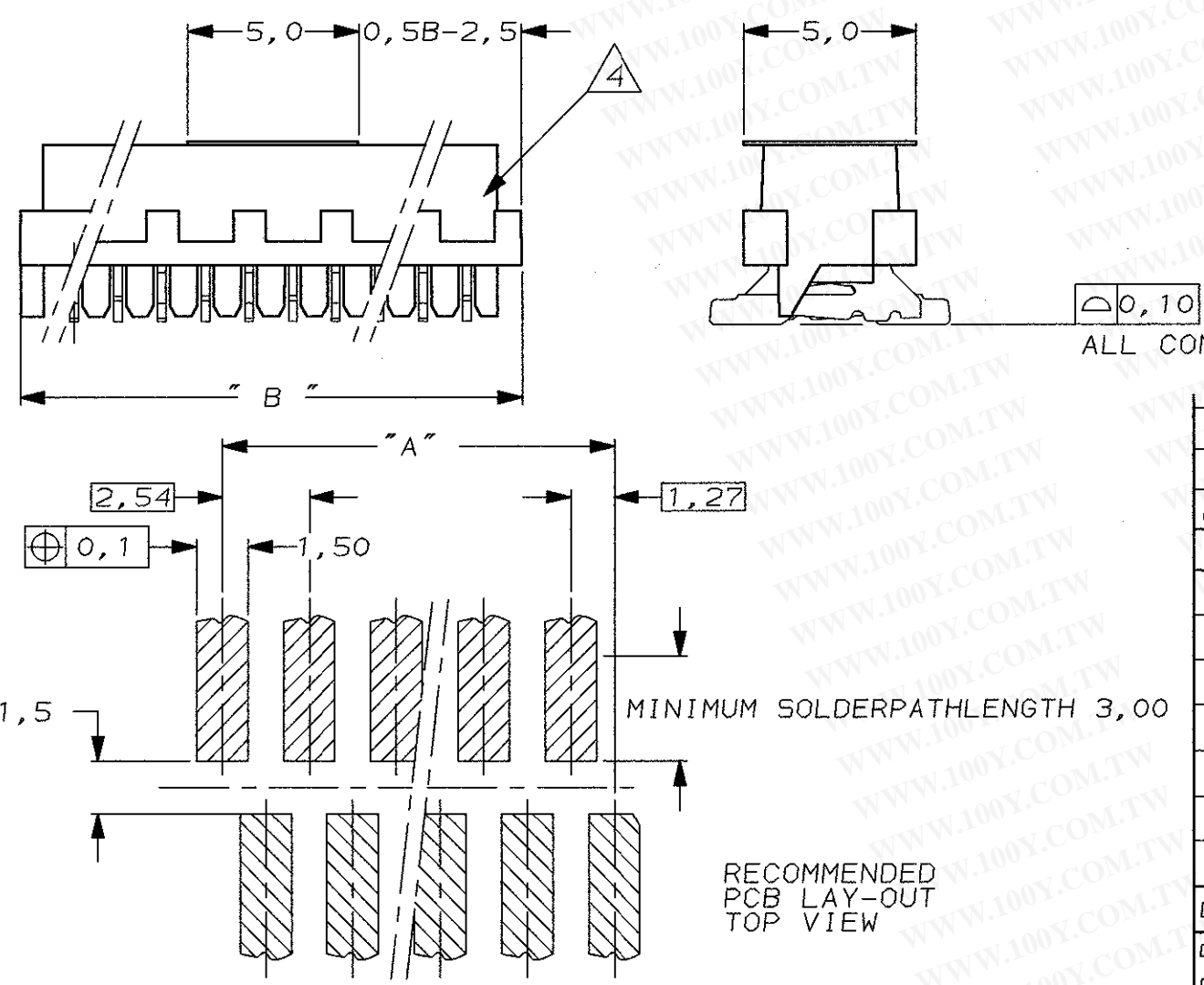
DO NOT SCALE METRIC
 DIMENSIONS IN mm THIRD ANGLE PROJECTION



PARTNUMBER	PARTNUMBER	NUMBER OF POSITIONS	"A"	"B" MAX.
7-188275-4	0-188275-4	4	3,81	7,1
7-188275-6	0-188275-6	6	6,35	9,7
7-188275-8	0-188275-8	8	8,89	12,2
8-188275-0	1-188275-0	10	11,43	14,7
8-188275-2	1-188275-2	12	13,97	17,3
8-188275-4	1-188275-4	14	16,51	19,8
8-188275-6	1-188275-6	16	19,05	22,4
8-188275-8	1-188275-8	18	21,59	24,9
9-188275-0	2-188275-0	20	24,13	27,5

NOTES:

- ① TAPE FOR VACUUM P&P ONLY FOR NUMBERS 7-/8-/9-
- ② FOR PACKAGING SEE SHEET 2-2.
- ③ WITHOUT VACUUM TAPE.
- ④ CORING OUTS OPTIONAL.



FINISH	MATERIAL	DESCRIPTION	ITEM
TIN-LEAD PLATED	PHOSPHORBRONZE	TAPE	3
RED	PA 4.6	FEMALE CONTACT	2
		FEMALE HOUSING	1

CUSTOMER DRAWING FOR REFERENCE ONLY WILL NOT BE UPDATED

© COPYRIGHT 19- BY AMP HOLLAND B.V. ALL INTERNATIONAL RIGHTS RESERVED. AMP PRODUCTS MAY BE COVERED BY U.S. AND FOREIGN AND/OR PATENTS PENDING.

THIS DRAWING IS UNPUBLISHED RELEASED FOR PUBLICATION

AMP AMP HOLLAND B.V. 's-Hertogenbosch, The Netherlands.

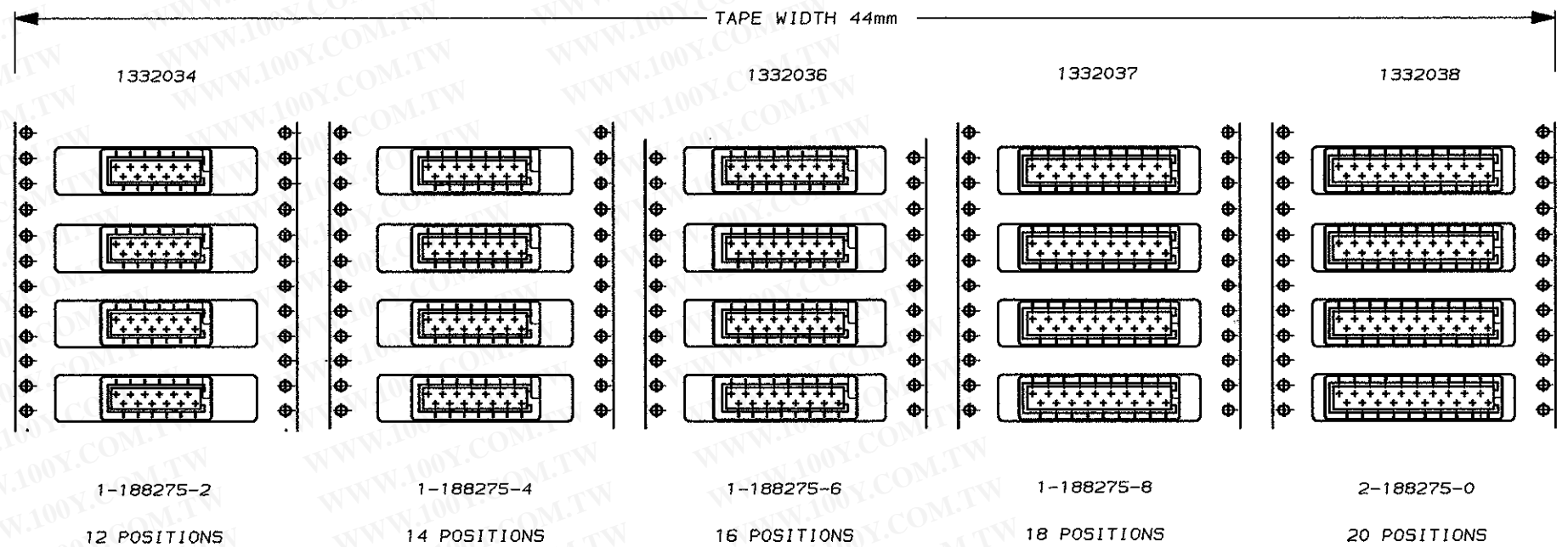
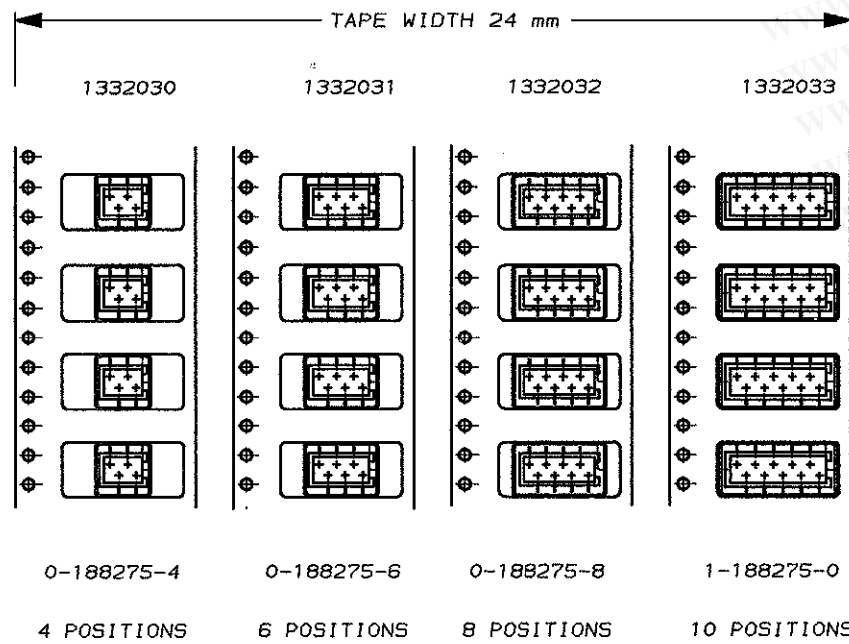
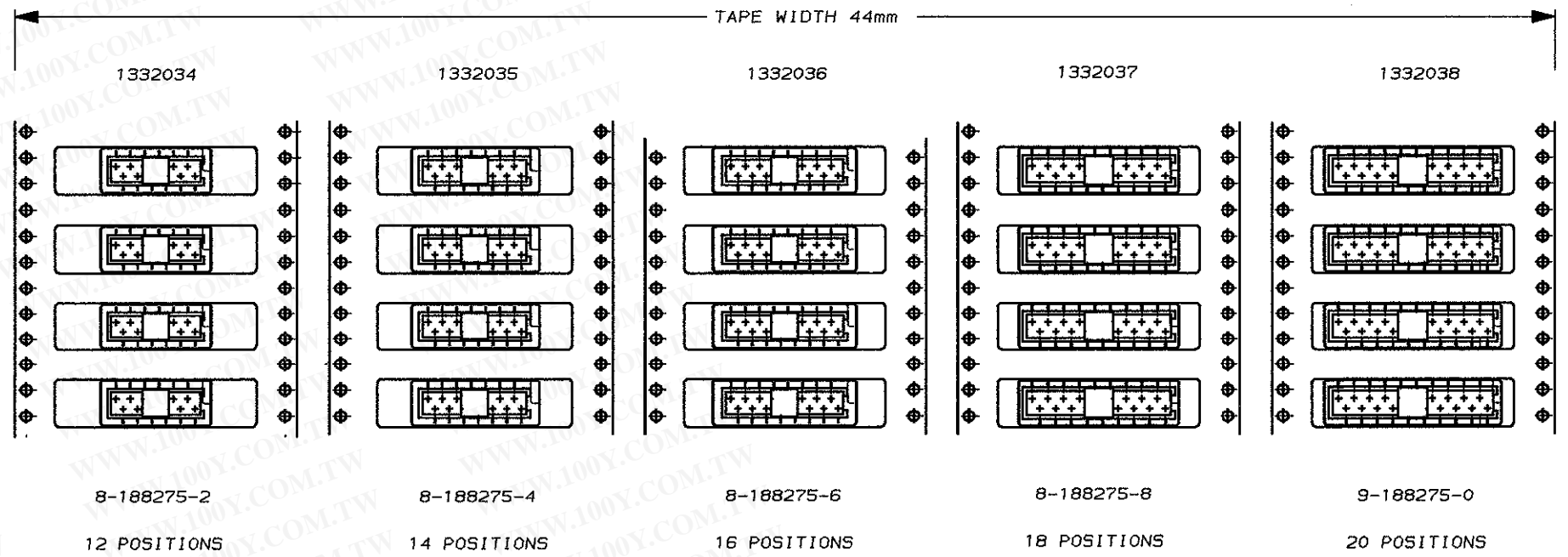
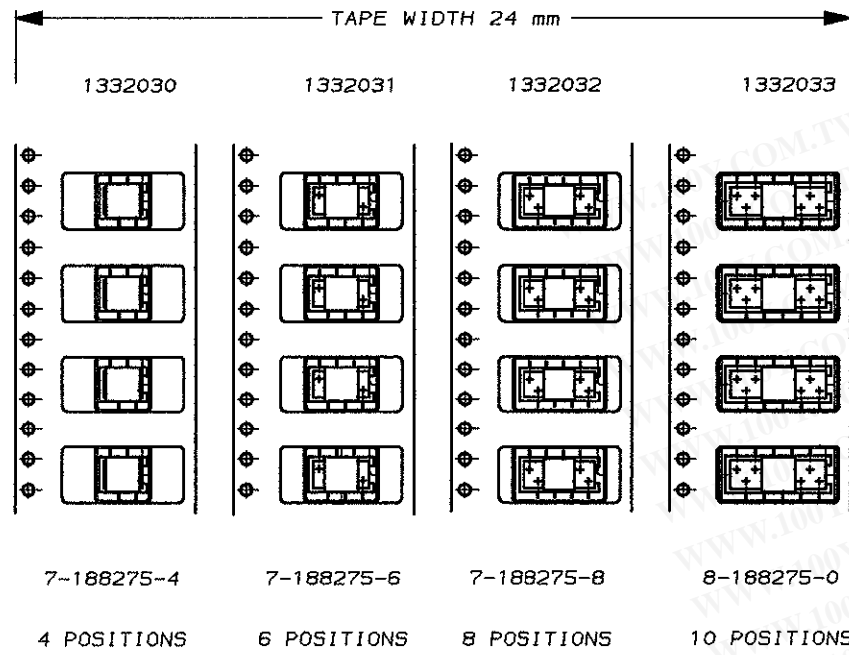
NAME: MICRO-MATCH SMD FEMALE TOP ENTRY (AUTOMATIC P&P)

DR.	CHK.	APP.	DWG. No.	REV. LTR.	SHEET
D. KESSLER	E. LEIJTENS	E. LEIJTENS	188275	L	1 OF 2
DATE: 15-08-94	DATE: -	DATE: -			A3

DO NOT SCALE
DIMENSIONS IN mm

METRIC

THIRD ANGLE
PROJECTION



勝特力材料 886-3-5753170
勝特力电子(上海) 86-21-34970699
勝特力电子(深圳) 86-755-83298787
[Http://www.100y.com.tw](http://www.100y.com.tw)

-				CUSTOMER DRAWING FOR REFERENCE ONLY WILL NOT BE UPDATED			
-				© COPYRIGHT 19- BY AMP HOLLAND B.V. ALL INTERNATIONAL RIGHTS RESERVED. AMP PRODUCTS MAY BE COVERED BY U.S. AND FOREIGN AND/OR PATENTS PENDING.			
-				THIS DRAWING IS UNPUBLISHED RELEASED FOR PUBLICATION ,19-			
-				AMP AMP HOLLAND B.V. 's-Hertogenbosch, The Netherlands.			
-				NAME MICRO-MATCH SMD FEMALE TOP ENTRY (AUTOMATIC P&P)			
LTR.	REVISION RECORD			DR.	CHK.	DATE	
DR.:	-	CHK.:	-	APP.:	-	DWG. No.	188275
DATE:	-	DATE:	-	DATE:	-	REV. LTR.	L
						SHEET	2 OF 2
						A3	