

4

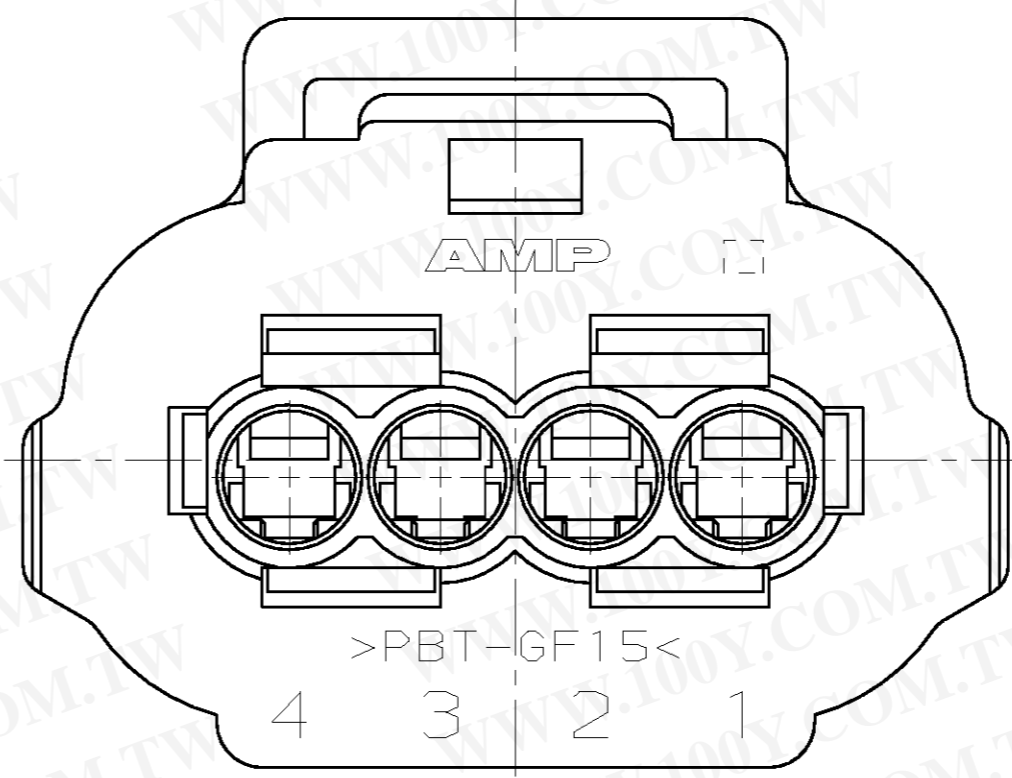
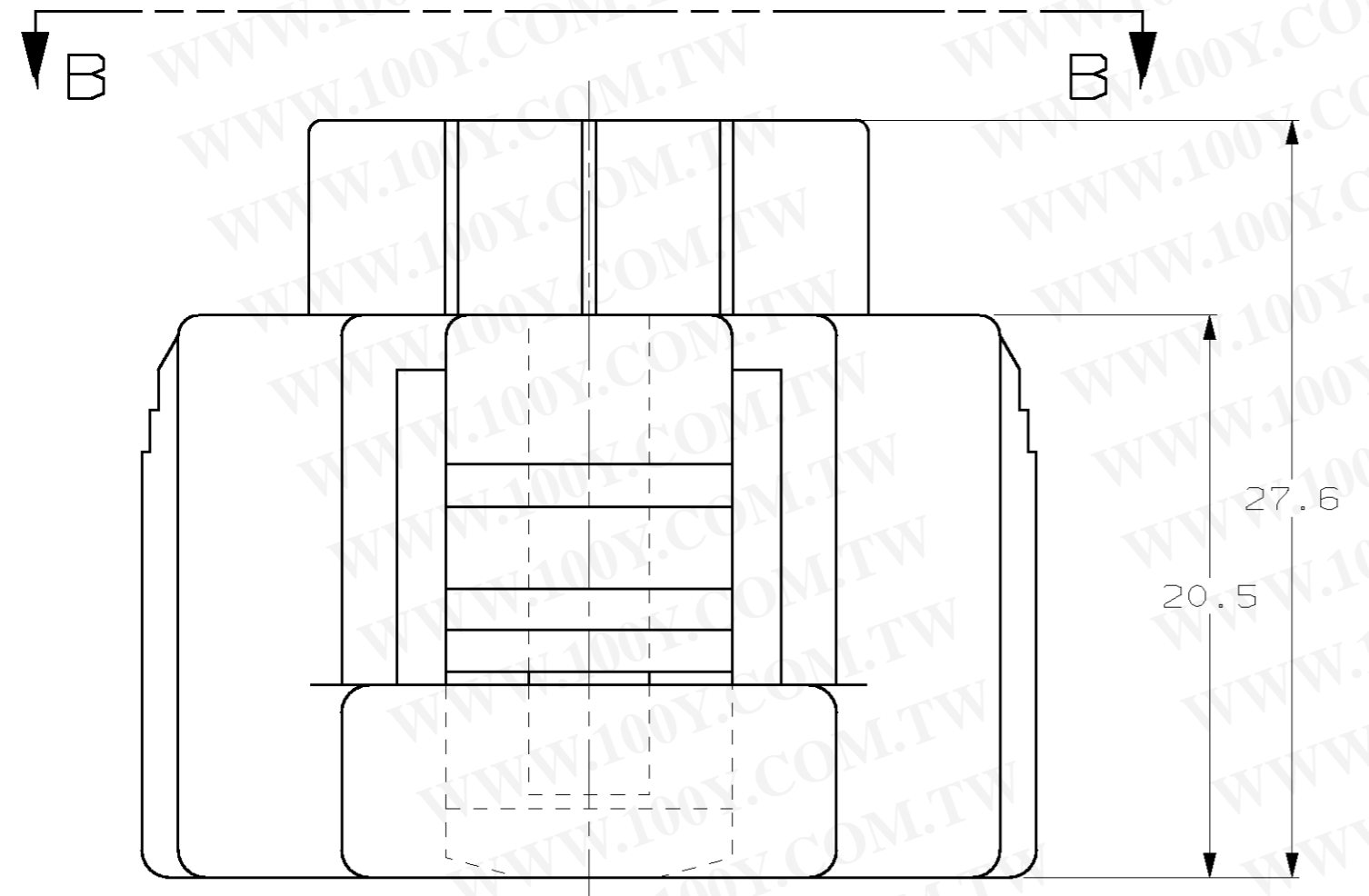
3

2

1

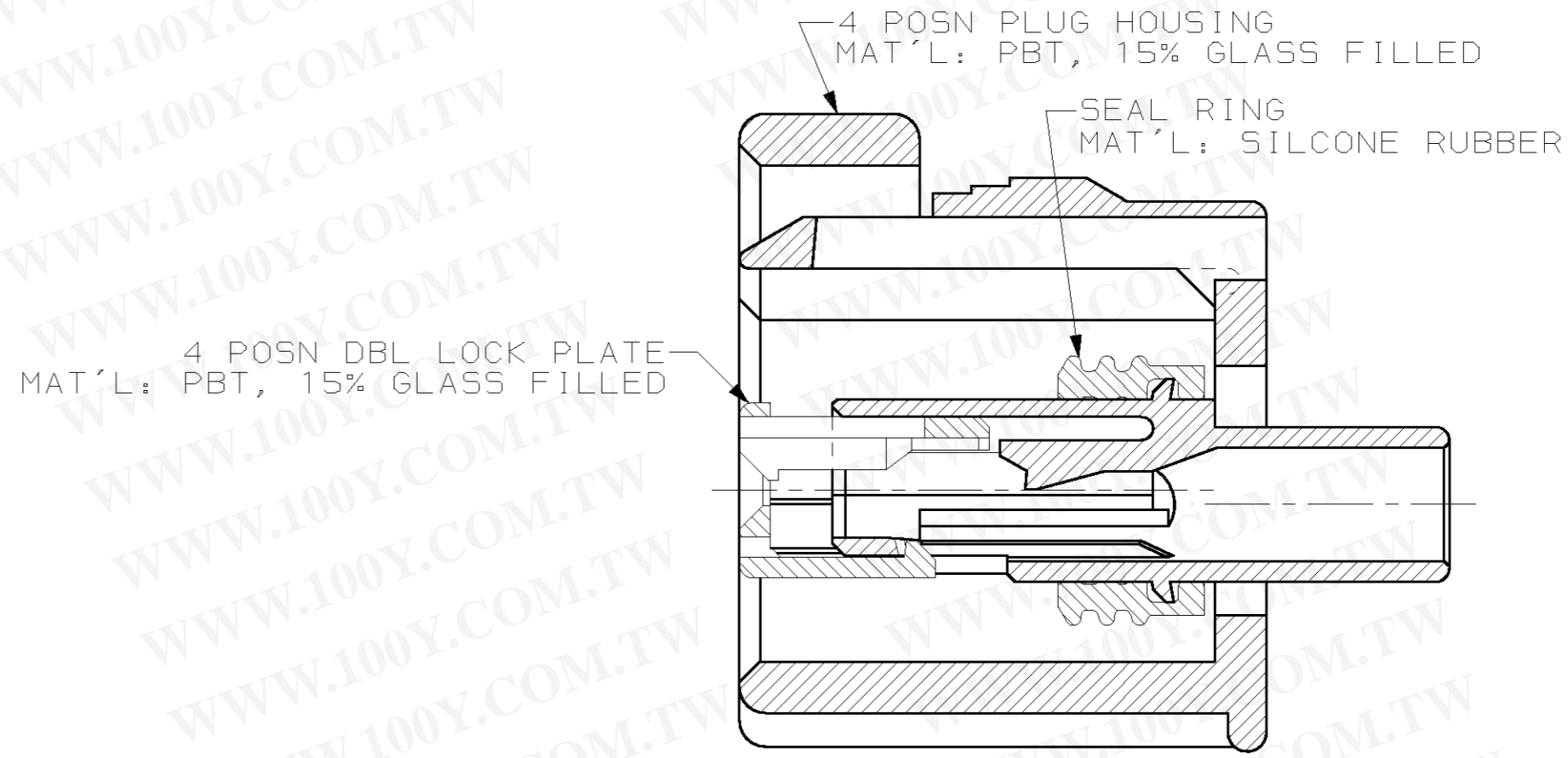
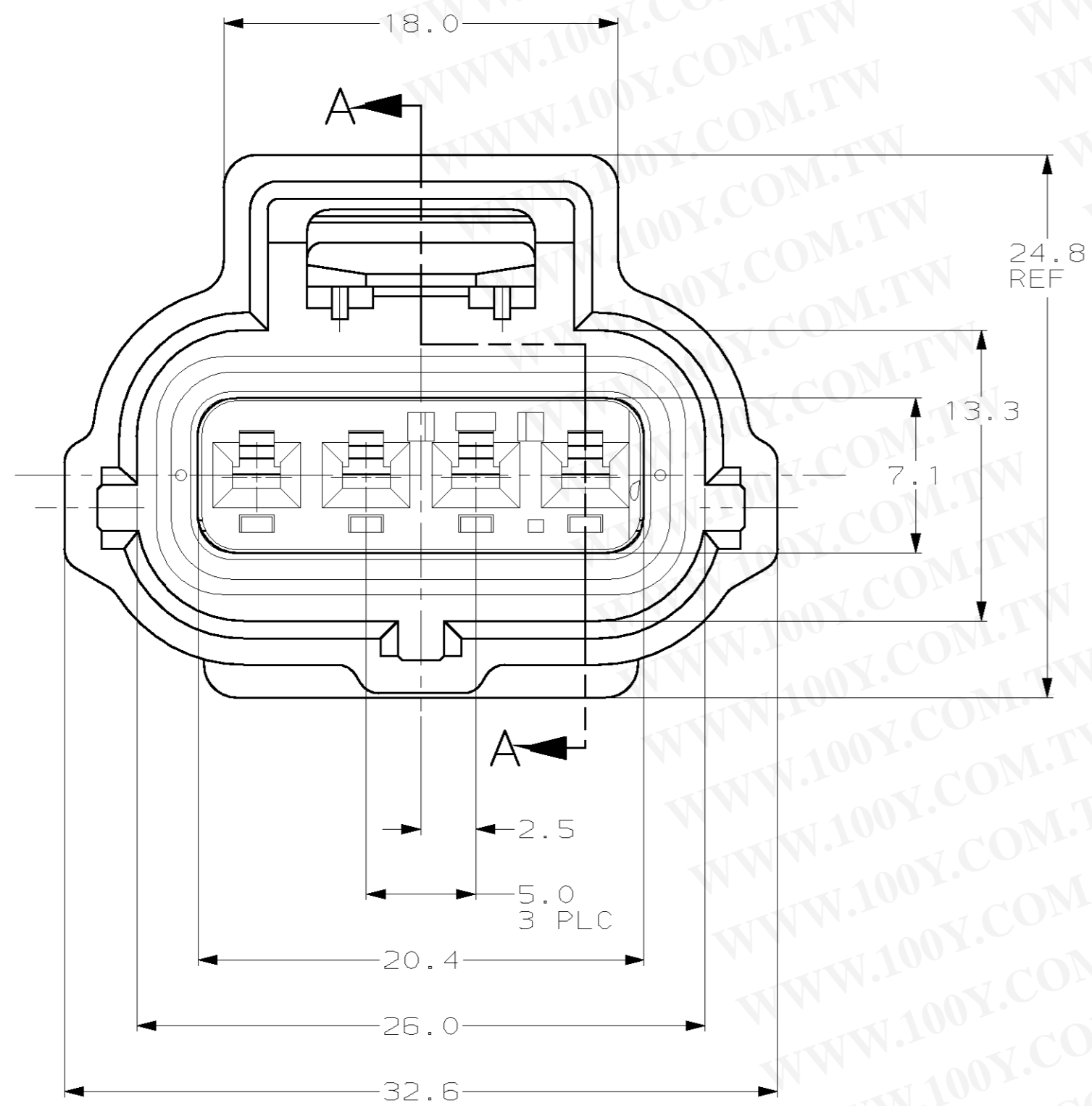
THIS DRAWING IS UNPUBLISHED. RELEASED FOR PUBLICATION .19  
 © COPYRIGHT 19 BY AMP INCORPORATED. ALL RIGHTS RESERVED.

| LOC |     | DIST        |                              | REVISIONS |      |    |  |
|-----|-----|-------------|------------------------------|-----------|------|----|--|
| P   | LTR | DESCRIPTION | DATE                         | DWN       | APVD |    |  |
| G   | 16  | 0           | RELEASED, WAS 92-4072-2329-1 | 10/31/94  | KW   | -  |  |
|     |     | A           | REV/ECN 0720-0543-95         | 3/21/95   | KL   | -  |  |
|     |     | B           | REV ECN 0720-0768-95         | 10/09/95  | KL   | JK |  |
|     |     | C           | REV PER EC# 0K40-0138-00     | 6-28-00   | PC   | GI |  |



VIEW B-B

**勝特力材料 886-3-5753170**  
**勝特力电子(上海) 86-21-34970699**  
**勝特力电子(深圳) 86-755-83298787**  
[Http://www.100y.com.tw](http://www.100y.com.tw)



SECTION A-A

184046-1  
 PART NUMBER

|  |  |  |  |
|--|--|--|--|
| <small>THIS DRAWING IS A CONTROLLED DOCUMENT FOR AMP INCORPORATED. IT IS SUBJECT TO CHANGE AND THE CONTROLLING ENGINEERING ORGANIZATION SHOULD BE CONTACTED FOR THE LATEST REVISION.</small> |  | DWN K. WISE 10/31/94<br>CHK C. HYRB 11/07/94<br>APVD -<br>PRODUCT SPEC -<br>APPLICATION SPEC -<br>WEIGHT -<br>CUSTOMER DRAWING | <b>AMP</b> AMP Incorporated<br>Harrisburg, PA 17105-3608<br>1 X 4 PLG ASY KEY A-C3<br>SIZE A2 CAGE CODE 00779 DRAWING NO. C-184046<br>SCALE 4:1 SHEET 1 OF 1 REV C |
| DIMENSIONS: mm<br>   | TOLERANCES UNLESS OTHERWISE SPECIFIED:<br>0 PLC ±-<br>1 PLC ±-<br>2 PLC ±0.3<br>3 PLC ±-<br>4 PLC ±-<br>ANGLES ±1°<br>FINISH - |  |  |

184046

A