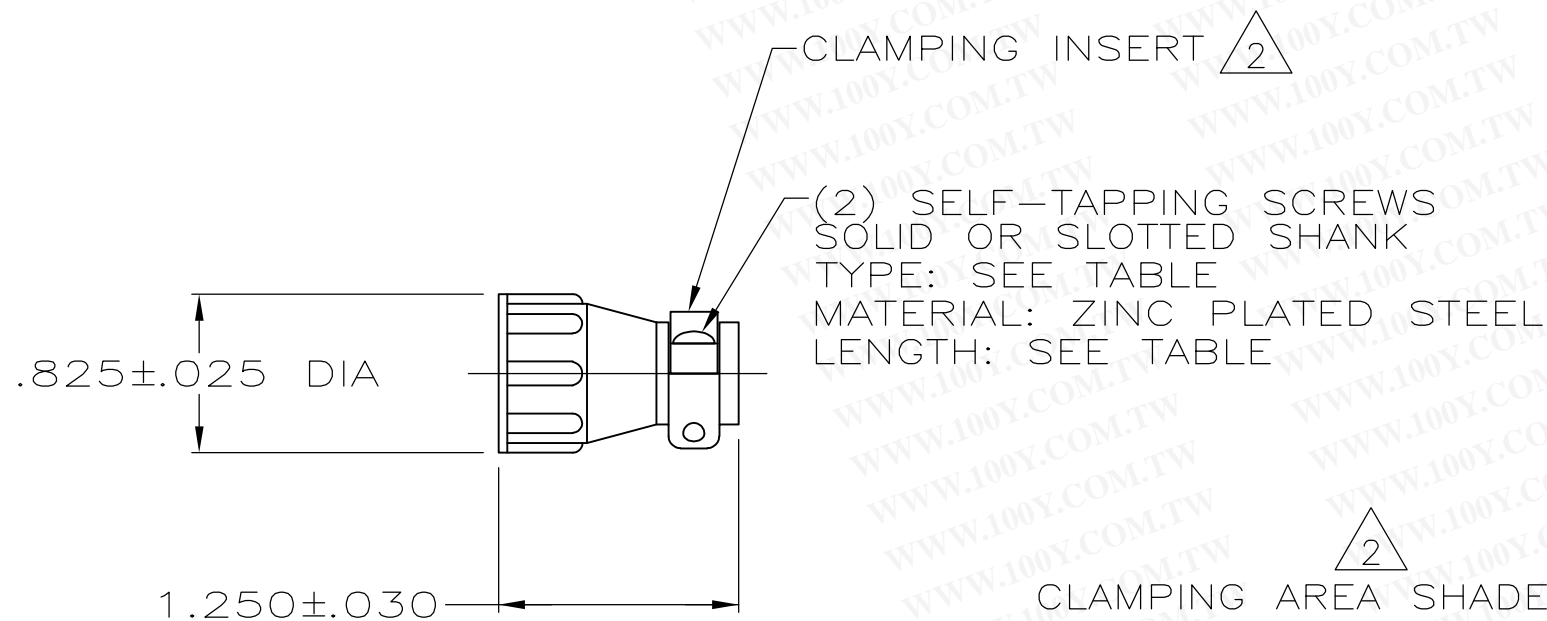


THIS DRAWING IS UNPUBLISHED. RELEASED FOR PUBLICATION  
 © COPYRIGHT BY TYCO ELECTRONICS CORPORATION. ALL INTERNATIONAL RIGHTS RESERVED.

|           |           |           |     |                           |         |     |      |
|-----------|-----------|-----------|-----|---------------------------|---------|-----|------|
| LOC<br>FT | DIST<br>0 | REVISIONS |     |                           |         |     |      |
|           |           | P         | LTR | DESCRIPTION               | DATE    | DWN | APVD |
|           |           |           | U1  | REVISED PER ECO-10-000443 | 13JAN10 | KK  | HMR  |



- 1 PARTS PACKAGED UNASSEMBLED.
- 2 CABLE CLAMPING AREA ADJUSTABLE FROM .004 TO .055 SQ IN BY REVERSING CLAMPING INSERTS.
- 3 .329 MAXIMUM CABLE OUTSIDE DIAMETER.
- 4 BULK PACKAGED KITS TO BE ORDERED IN MULTIPLES OF 400 ONLY.
- 5 OBSOLETE PART NUMBER.
- 6 STAINLESS STEEL (NON MAGNATIC).
- 7 CABLE CLAMP WITH NON-MAGNETIC STAINLESS STEEL SCREWS.
- 8 ZINC PLATED STEEL, NON-HEXAVALENT CHROMATE.
- 9 OBSOLETE PARTS: OBSOLETE CIS STREAMLINING PER D.RENAUD/D.SINISI

|   |                     |              |              |            |             |
|---|---------------------|--------------|--------------|------------|-------------|
|   | INDIVIDUAL          | 8            | .38±.00      | #5-20      | 1-206062-6  |
| 4 | BULK                | 8            | .38±.00      | #5-20      | 1-206062-5  |
|   | INDIVIDUAL          | 8            | .50±.00      | #5-20      | 1-206062-4  |
|   | INDIVIDUAL          | 8            | .62±.00      | #5-20      | 1-206062-3  |
| 7 | INDIVIDUAL          | 6            | .50±.00      | #5-20      | 1-206062-2  |
|   | INDIVIDUAL          | 8            | .62±.00      | #5-20      | 1-206062-1  |
| 9 | OBSOLETE            | 8            | .38±.00      | #5-20      | 1-206062-0  |
|   | AMP BRAZIL USE ONLY |              | 12mm±.0      | 3mm-20     | 5 206062-9  |
|   | AMP BRAZIL USE ONLY |              | 10mm±.0      | 3mm-20     | 5 206062-8  |
| 4 | BULK                | 6            | .50±.00      | #5-20      | 206062-4    |
|   | INDIVIDUAL          | 8            | .50±.00      | #5-20      | 206062-3    |
| 4 | BULK                | 8            | .38±.00      | #5-20      | 206062-2    |
|   | INDIVIDUAL          | 8            | .38±.00      | #5-20      | 206062-1    |
|   | PACKAGING           | SCREW FINISH | SCREW LENGTH | SCREW TYPE | PART NUMBER |

勝特力材料 886-3-5753170  
 勝特力电子(上海) 86-21-34970699  
 勝特力电子(深圳) 86-755-83298787  
 Http://www.100y.com.tw

|   |  |                              |   |                    |
|---|--|------------------------------|---|--------------------|
| THIS DRAWING IS A CONTROLLED DOCUMENT.  |  | DWN<br>A GRAFF<br>4/29/91    | Tyco Electronics Corporation<br>Harrisburg, PA 17105-3608 |                    |
| DIMENSIONS:<br>INCHES   |  | CHK<br>W.G.LENKER<br>7-22-92 | NAME<br>CABLE CLAMP KIT, STANDARD,<br>SHELL SIZE 11, CPC  |                    |
| TOLERANCES UNLESS OTHERWISE SPECIFIED:<br>0 PLC ± -<br>1 PLC ± -<br>2 PLC ± -<br>3 PLC ± -<br>4 PLC ± -<br>ANGLES ± - |  | APVD<br>-                    | PRODUCT SPEC<br>-   |                    |
| MATERIAL<br>THERMOPLASTIC   |  | FINISH<br>-                  | APPLICATION SPEC<br>-                                     | RESTRICTED TO<br>- |
|   |  | WEIGHT<br>-                  | SIZE<br>A3  | CAGE CODE<br>00779 |
|   |  | DRAWING NO<br>C-206062       |   | REV<br>U1          |
|   |  | CUSTOMER DRAWING             |   | SCALE<br>NTS       |
|   |  | SHEET<br>1 OF 1              |   |                    |