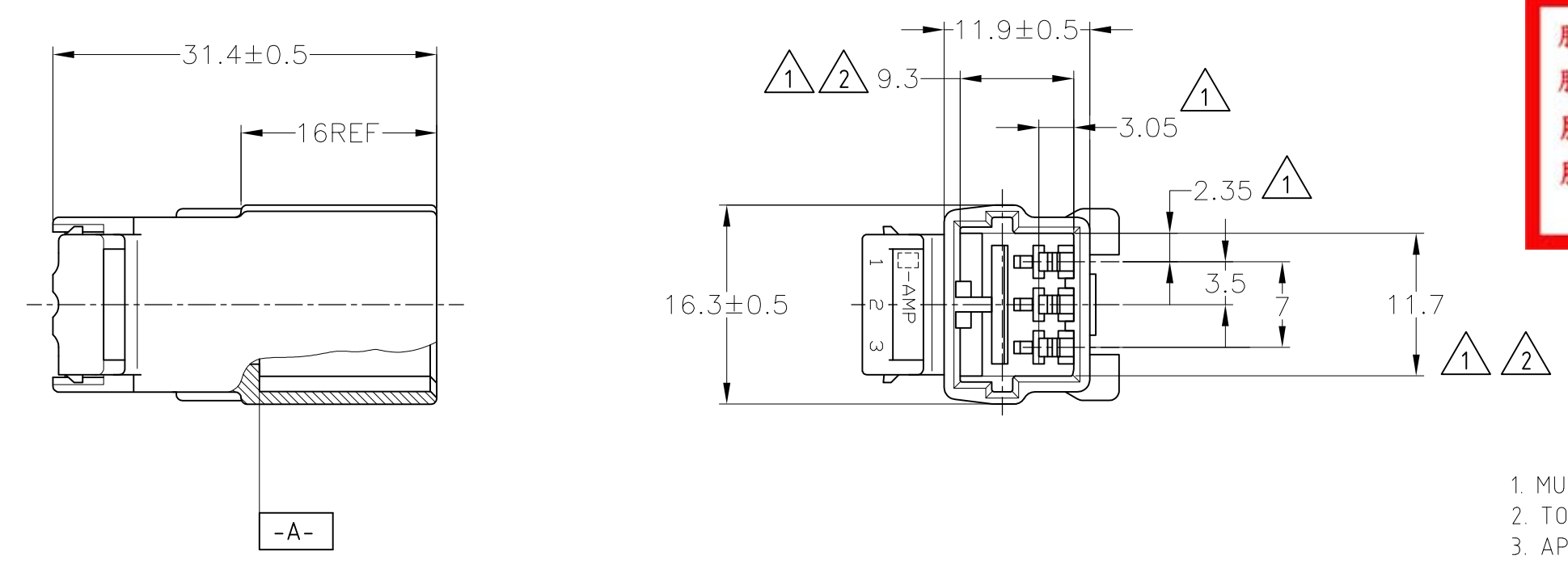


THIS DRAWING IS UNPUBLISHED. RELEASED FOR PUBLICATION  
 © COPYRIGHT - By - ALL RIGHTS RESERVED.

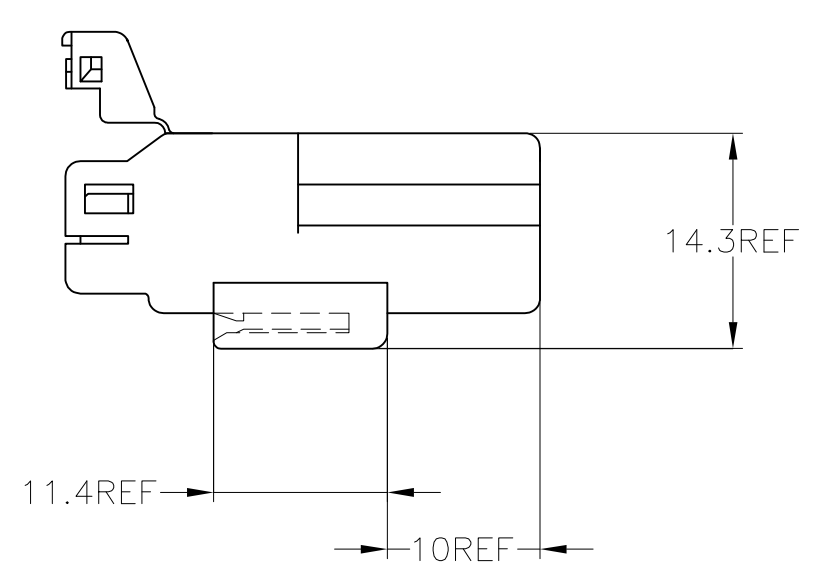
LOC	DIST	REVISIONS					
J	-	P	LTR	DESCRIPTION	DATE	DWN	APVD
			C2	REVISED PER ECO-11-005140	28MAR11	RK	HMR



勝特力電材超市-龍山店 886-3-5773766  
 勝特力電材超市-光復店 886-3-5729570  
 勝特力電子(上海) 86-21-34970699  
 勝特力電子(深圳) 86-755-83298787  
<http://www.100y.com.tw>

1. MUST BE KEPT BETWEEN **-A-** AND 2
2. TO BE MATED WITH PLUG HOUSING SMOOTHLY
3. APPLIED TAB CONTACT; P/N 173633 AND 173645
4. APPLIED PLUG HOUSING; P/N 174921 etc

1. **-A-** 面より2mmの範囲で測定
2. 相手ハウジングと所定の昨日を満足して嵌合できること
3. 内装するリセプタクルコンタクトは型番173633、173645
4. 嵌合相手ハウジング型番174921 他



V-2	白 (WHITE)	1-174928-1	
HB	黄 (YELLOW)	174928-7	
	灰 (GRAY)	174928-6	
	青 (BLUE)	174928-5	
	緑 (GREEN)	174928-4	
	黒 (BLACK)	174928-2	
	白 (WHITE)	174928-1	
使用材料難燃グレード (FLAMMABILITY OF MATERIAL)		色 (COLOR)	型番 (PART NUMBER)

TOLERANCES UNLESS OTHERWISE SPECIFIED:  
 一般公差

10 ≥	±0.2
30 ≥ > 10	±0.25
> 30	±0.3
ANGLE	±3°

THIS DRAWING IS A CONTROLLED DOCUMENT.

DWN	S.FUJITA	05DEC08
CHK	K.BETSUI	05DEC08
APVD	K.BETSUI	05DEC08
PRODUCT SPEC	-	
APPLICATION SPEC	-	
WEIGHT	-	

**STE** TE Connectivity

070 SERIES MULTILOCK I/O CONNECTOR  
 3POSITION HOUSING WIRE TO WIRE

SIZE	CAGE CODE	DRAWING NO	RESTRICTED TO
A3	00779	C-174928	-

CUSTOMER DRAWING SCALE 2:1 SHEET 1 OF 1 REV C2

# Mouser Electronics

Authorized Distributor

Click to View Pricing, Inventory, Delivery & Lifecycle Information:

[TE Connectivity:](#)

[1-174928-1](#)