

4

3

2

1

THIS DRAWING IS UNPUBLISHED.

RELEASED FOR PUBLICATION

,1996

© COPYRIGHT 1996

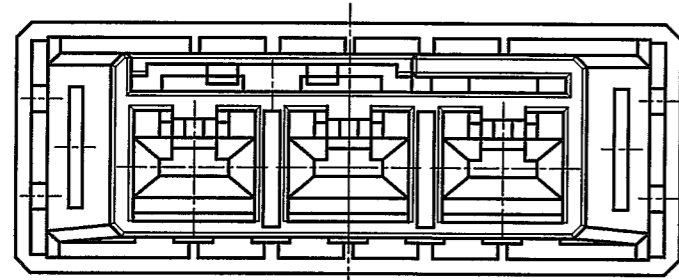
BY AMP INCORPORATED, ALL RIGHTS RESERVED.

LOC J DIST

REVISIONS

P	LTR	DESCRIPTION	ECN	DATE	DWN	APVD
	0	RELEASED	FJ00-4330-96	16/MAY '96	K.I	Y.I
	A	REVISED	FJ00-5532-96	7/JAN '97	K.I	Y.I
	B	REVISED	FJ00-0246-97	18/FEB '97	K.I	Y.I
	C	REVISED	FJ00-1335-97	18/FEB '97	K.I	I.H
	D	REVISED	FJD0-0108-04	29/MAR '04	T.S	D.M

勝特力電材超市-龍山店 886-3-5773766
 勝特力電材超市-光復店 886-3-5729570
 勝特力電子(上海) 86-21-34970699
 勝特力電子(深圳) 86-755-83298787
<http://www.100y.com.tw>



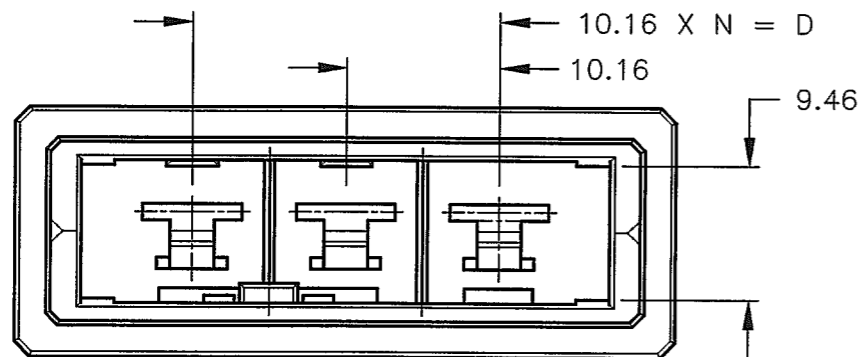
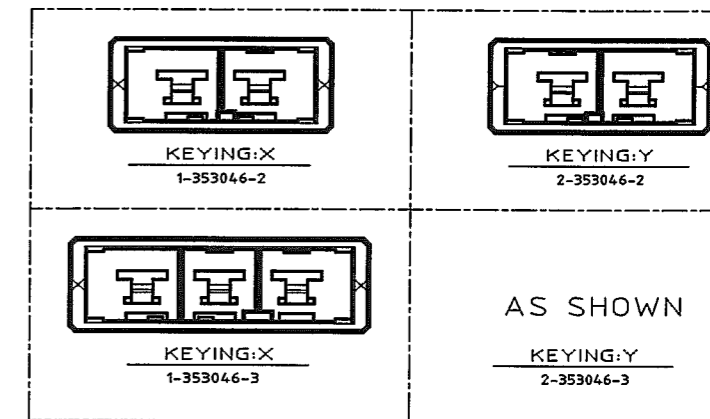
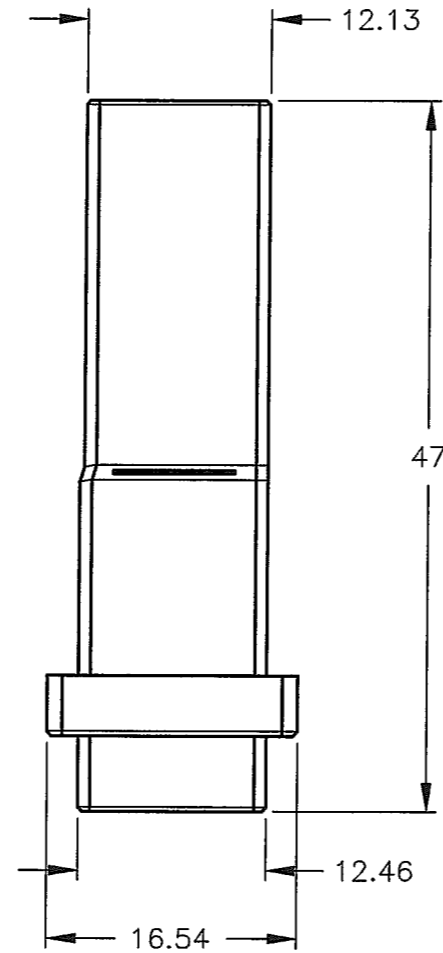
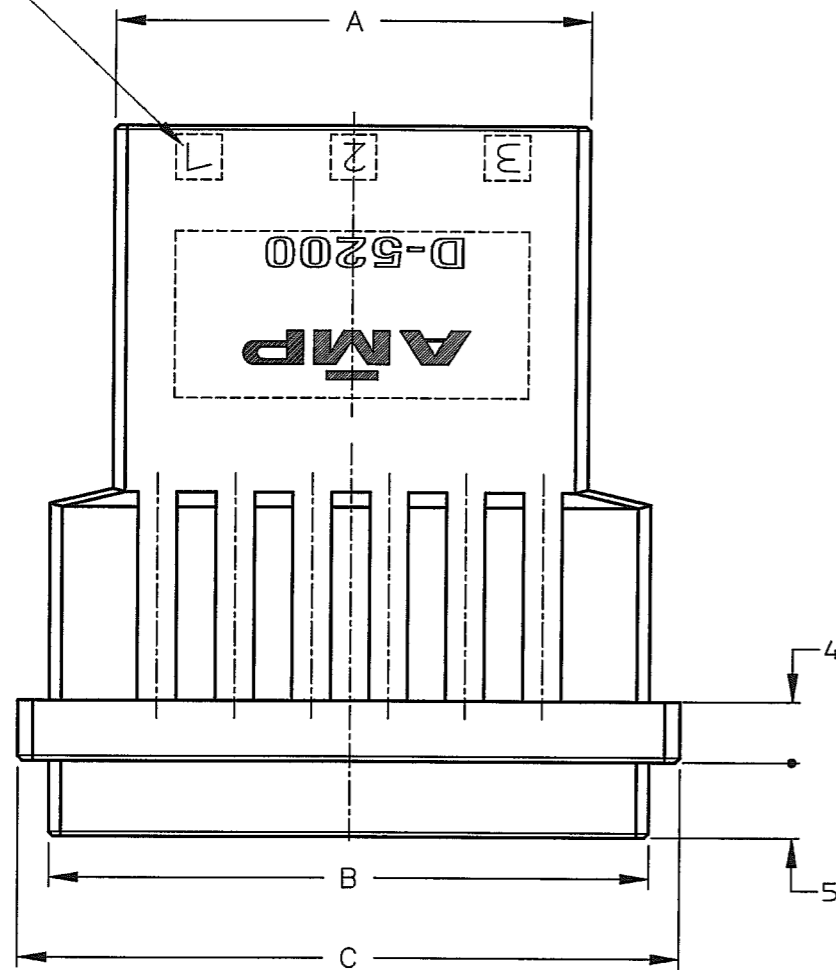
注記

△ 材料:ハウジング:ガラス入り熱可塑性
 ポリエステル樹脂 (94V-0),色:黒

NOTES

△ MATERIAL:HOUSING:GLASS FILED THERMO PLASTIC
 ,POLYESTER(94-V-0),COLOR:BLACK

CIRCUIT NO.
回路番号



KEYING:Y
2-353046-3

							2-353046-3
31.27	39.52	43.6	20.32	2	3		1-353046-3
							2-353046-2
21.11	29.36	33.44	10.16	1	2		1-353046-2
A	B	C	D	N	POS		P/N

WIRE RANGE 適合電線断面積	INSULATION DIA 線径外径
T1	T1

THIS DRAWING IS A CONTROLLED DOCUMENT FOR AMP INCORPORATED. IT IS SUBJECT TO CHANGE AND THE CONTROLLING ENGINEERING ORGANIZATION SHOULD BE CONTACTED FOR THE LATEST REVISION.		DWN K.IKEDA 16/MAY/'96	Tyco Electronics AMP K.K. Kawasaki, Japan								
DIMENSIONS: 単位 種 mm		CHK Y.Ishikawa 16/MAY/'96	NAME 名称 1列 タブ ハウジング フリーハンギング タイプ								
TOLERANCES UNLESS OTHERWISE SPECIFIED 一般公差		APVD S.Manabe 17/MAY/'96	PRODUCT SPEC 製品規格 108-5453								
<table border="1"> <tr> <td>100</td><td>±0.2</td> </tr> <tr> <td>>10</td><td>±0.25</td> </tr> <tr> <td>>30</td><td>±0.3</td> </tr> <tr> <td>ANGLE</td><td>±0.3°</td> </tr> </table>		100	±0.2	>10	±0.25	>30	±0.3	ANGLE	±0.3°	APPLICATION SPEC 取付適用規格 114-5206	
100	±0.2										
>10	±0.25										
>30	±0.3										
ANGLE	±0.3°										
MATERIAL 材料	FINISH 仕上	WEIGHT T1	SIZE A3	CAGE CODE 00779							
△		DRAWING NO 番号 C-353046									
CUSTOMER DRAWING			SCALE 尺度 2-1	SHEET 1 OF 1							
			REV D								

Mouser Electronics

Authorized Distributor

Click to View Pricing, Inventory, Delivery & Lifecycle Information:

[TE Connectivity:](#)

[1-353046-2](#)