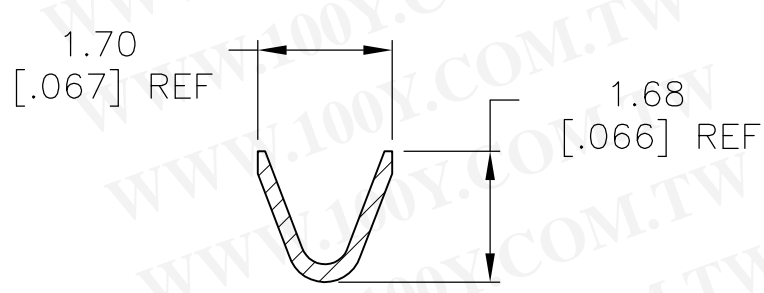
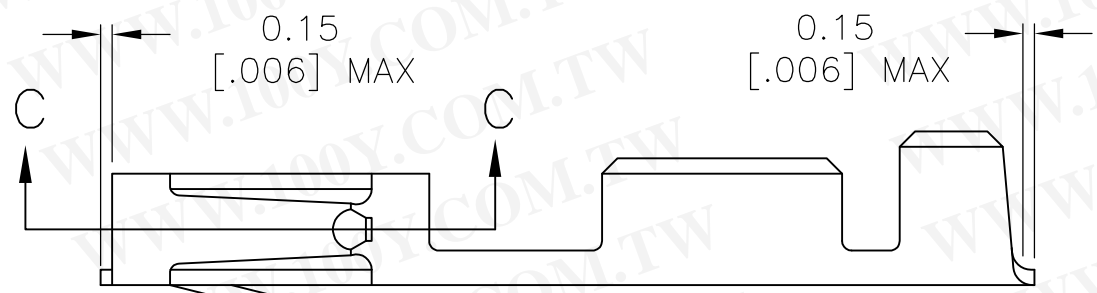
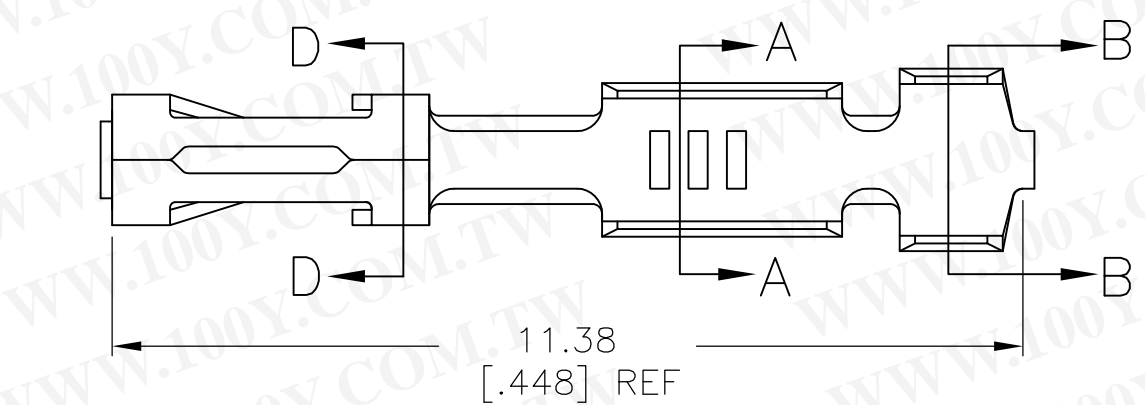
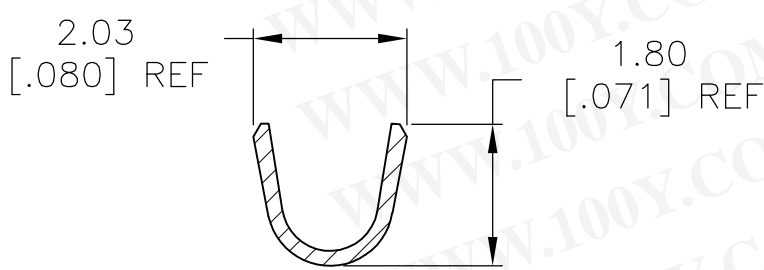


THIS DRAWING IS UNPUBLISHED. RELEASED FOR PUBLICATION  
 © COPYRIGHT - By - ALL RIGHTS RESERVED.

LOC	DIST	REVISIONS			
P	LTR	DESCRIPTION	DATE	DWN	APVD
AD	00	M1	REVISED PER ECO-11-004820	11MAR11	RK HMR

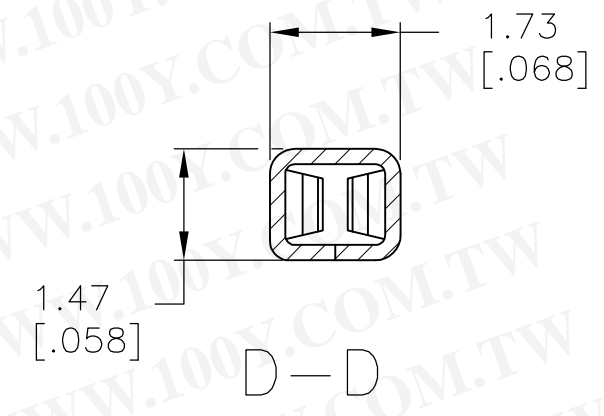
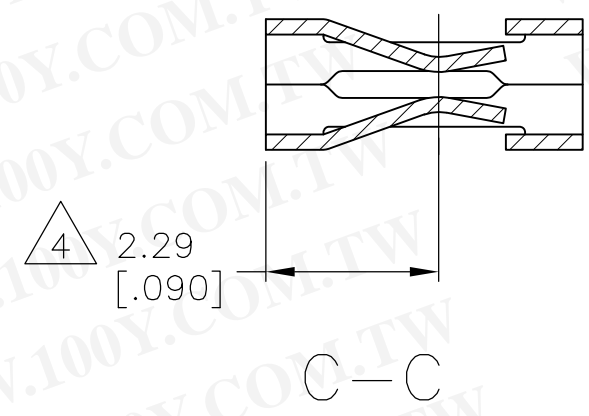


WIRE SIZE #22-#26  
SECTION A-A



INSULATION RANGE 1.55[.061] MAX  
SECTION B-B

- 1 0.00076[.000030] MIN GOLD IN CONTACT AREA, GOLD FLASH ON THE REMAINDER OF THE TERMINAL, ALL OVER
- 2 0.00127[.000050]-0.00254[.000100] NICKEL ENTIRE TERMINAL.
- 3 PREPLATED 0.00127[.000050]-0.00381[.000150] BRIGHT TIN.
- 4 CONTACTS TO BE TREATED WITH LUBRICANT.
- 4 POINT OF MEASUREMENT FOR PLATING THICKNESS (INSIDE BEAMS).



勝特力材料 886-3-5753170  
 勝特力电子(上海) 86-21-34970699  
 勝特力电子(深圳) 86-755-83298787  
[Http://www.100y.com.tw](http://www.100y.com.tw)

OBSOLETE	-	102128-5
OBSOLETE	-	102128-4
OBSOLETE	-	102128-3
	2 3	102128-2
	1	102128-1
FINISH REF		PART NUMBER

THIS DRAWING IS A CONTROLLED DOCUMENT.		DWN E. BRANDBERG	TE Connectivity		
		CHK S. SHUEY 03JAN96			
DIMENSIONS: mm [INCHES]		APVD S. SHUEY 03JAN96	NAME		
TOLERANCES UNLESS OTHERWISE SPECIFIED:		PRODUCT SPEC	CONTACT, MOD V, RECEPTACLE, CRIMP SNAP IN, LOOSE PIECE		
0 PLC ± -		APPLICATION SPEC	108-25007		
1 PLC ± -		WEIGHT	114-25003		
2 PLC ± 0.13[.005]		CUSTOMER DRAWING	SIZE	CAGE CODE	DRAWING NO
3 PLC ± -			A3	00779	C-102128
4 PLC ± -			SCALE	SHEET	REV
ANGLES ± -			10:1	1 OF 1	M1
FINISH SEE TABLE					
MATERIAL	PhBr				