

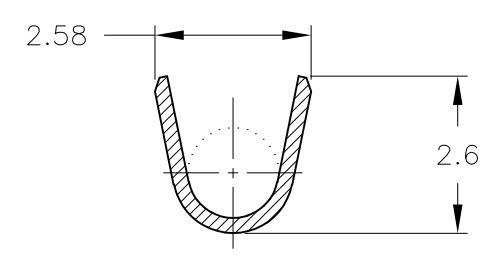
4

3

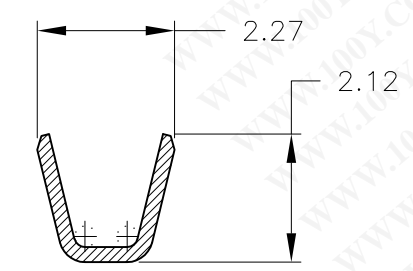
2

1

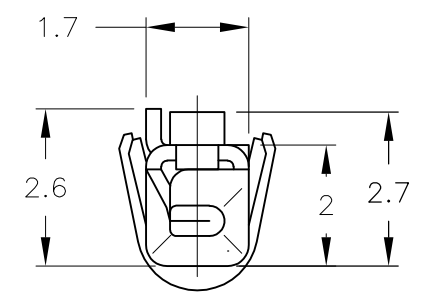
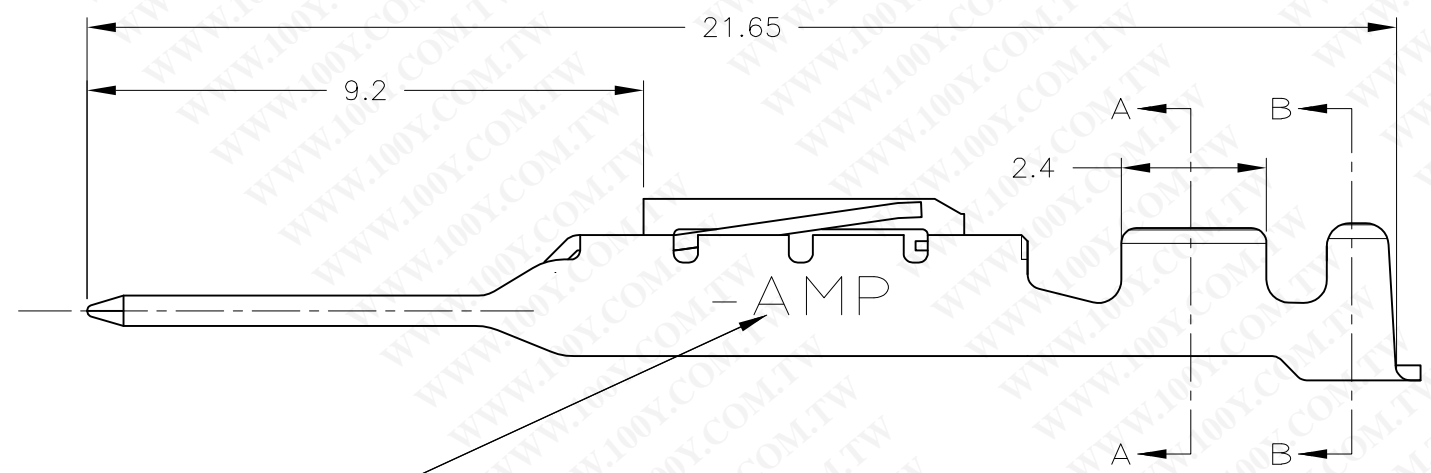
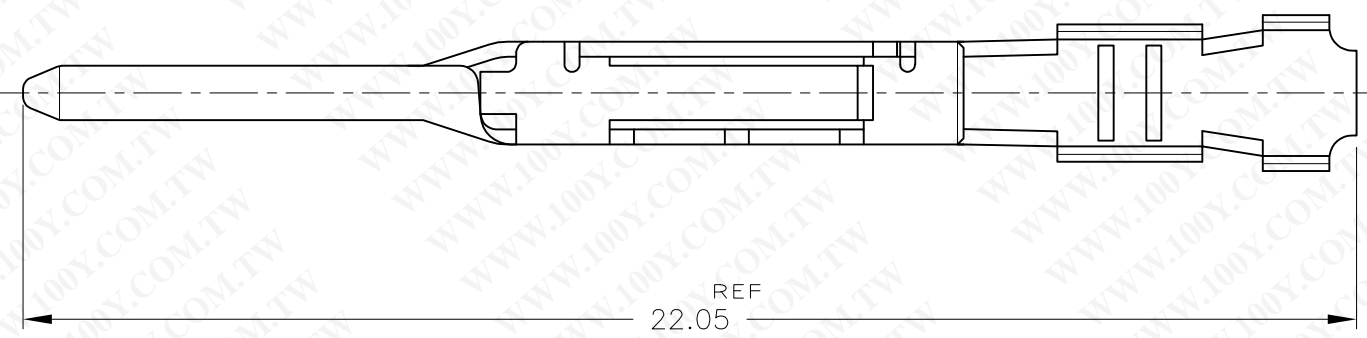
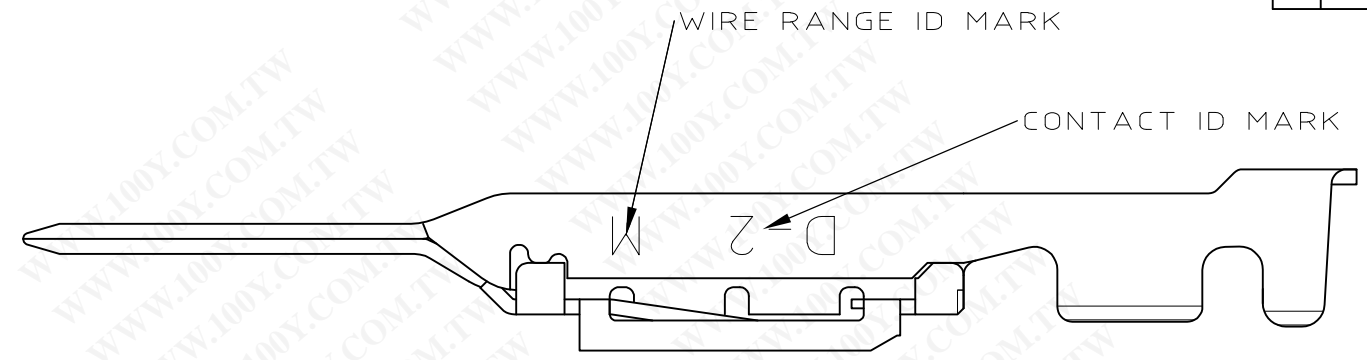
THIS DRAWING IS UNPUBLISHED.		RELEASED FOR PUBLICATION		LOC	DIST	REVISIONS				
				P	LTR	DESCRIPTION	DATE	DWN	APVD	
					B1	REVISED PER ECO-11-5030	22MAR11	RK	HMR	



SECT B-B



SECT A-A



-1:AS SHOWN

勝特力材料 886-3-5753170
 勝特力电子(上海) 86-21-34970699
 勝特力电子(深圳) 86-755-83298787
[Http://www.100y.com.tw](http://www.100y.com.tw)

NOTES

- 1. FINISH(CONTACT AREA):0.38μmMIN GOLD PLATING OVER Ni PLATING

DIMENSIONS: mm		TOLERANCES UNLESS OTHERWISE SPECIFIED		DWN 7/DEC/'98 K.IKEDA		WIRE RANGE AWG #22~#18		INSULATION DIA 1.3~1.9	
		± 0.3 $>10 : \pm 0.35$ $>30 : \pm 0.4$ ANGLE : $\pm 3'$		CHK 7/DEC/'98 N.MATSUBARA		TE Connectivity		TAB CONTACT "M" SIZE, L/P	
MATERIAL (COPPER ALLOY)		FINISH SEE NOTE		APVD 7/DEC/'98 I.HASEGAWA				NAME	
				PRODUCT SPEC 108-5619		SIZE		DRAWING NO	
				APPLICATION SPEC 114-5258		CAGE CODE		RESTRICTED TO	
				WEIGHT		00779		C-1318111	
				CUSTOMER DRAWING		SCALE		SHEET	
						8-1		1 OF 1	
								REV B1	