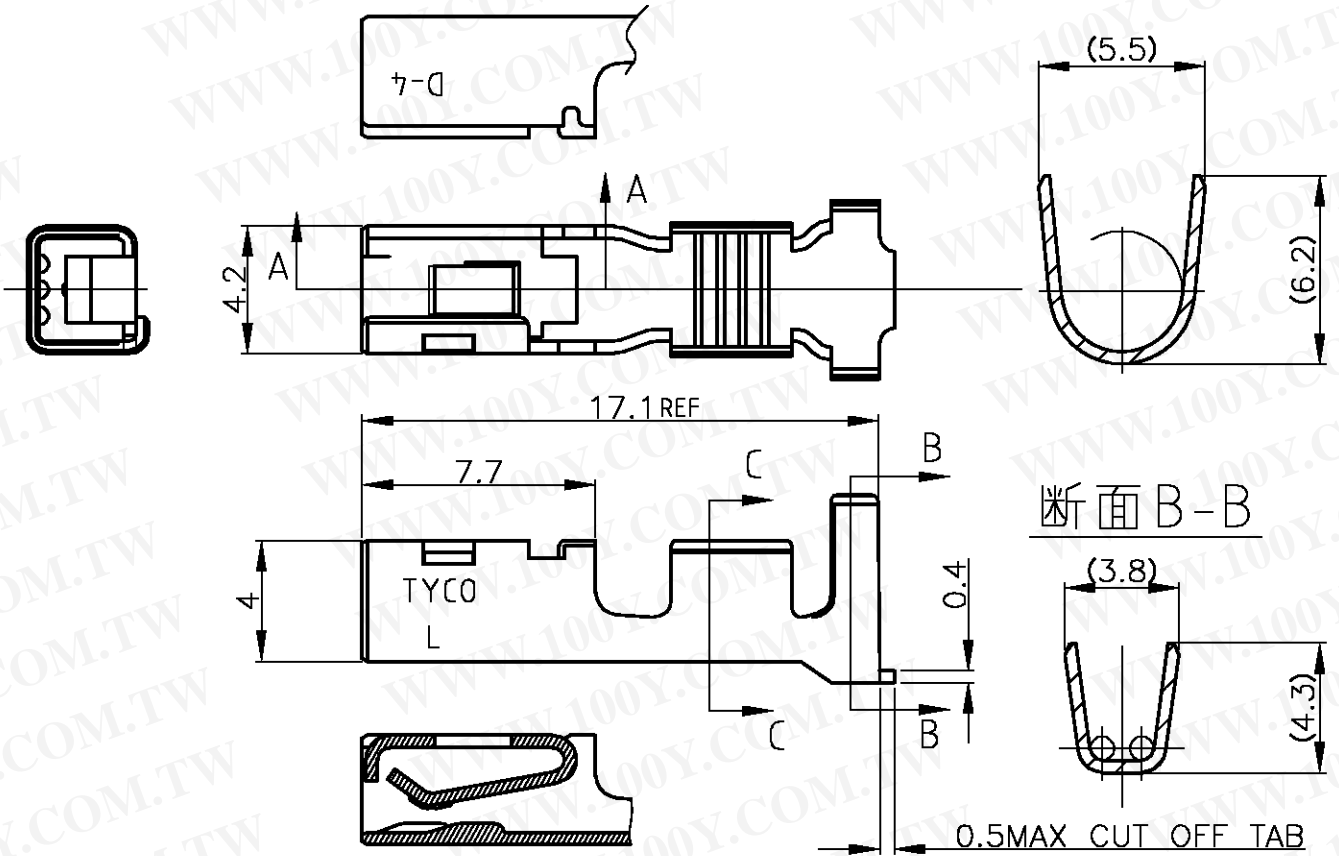


Loc J	DIST —	REVISIONS 変更			DATE	DWN	APVD
		P	LTR	DESCRIPTION			
		01	REVISED	ECR-07-000882	12JAN2007	T.K	D.M

勝特力材料 886-3-5753170  
 勝特力电子(上海) 86-21-34970699  
 勝特力电子(深圳) 86-755-83298787  
[Http://www.100y.com.tw](http://www.100y.com.tw)



- 注)  
 1.一般公差：±0.25  
 2.材料：銅合金全面Niめっき1.3μm以上  
 接点部金めっき0.38μm以上めっき  
 3.適用電線：AWG#14-#12(被覆外径φ2.9~φ4.1)

- NOTES)  
 1.GENERAL TOLERANCE:±0.25  
 2.MATERIAL:COPPER ALLOY,FINISH:OVER NI PLATING 1.3μm MIN.  
 (CONTACT AREA) 0.38μm MIN GOLD PLATING  
 3.APPLICABLE WIRE:AWG#14-#12 (INS DIAφ2.9~φ4.1)

L SIZE

1747498-2  
 PART NUMBER

THIS DRAWING IS UNPUBLISHED. ALL RIGHTS RESERVED. BY TYCO ELECTRONICS CORPORATION.

DIMENSIONS: 單位: 耗 MM  TOLERANCES UNLESS OTHERWISE SPECIFIED: 一般公差  0 PLC ± - 1 PLC ± - 2 PLC ± - 3 PLC ± - 4 PLC ± - ANGLES ± -  	DWN T.KUDO	26AUG2004	MATERIAL 材料	COPPER ALLOY	FINISH 仕上	—	
	CHK D.MITSUGI	26AUG2004	Tyco Electronics AMP K.K. Kawasaki,Japan				
	APVD D.MITSUGI	26AUG2004					
	PRODUCT SPEC 製品規格	108-78182		NAME 名称	DYNAMIC D-4200 REC CONTACT L SIZE LOOSE PIECE		
	APPLICATION SPEC 取付適用規格	114-5369		SIZE	CAGE CODE	DRAWING NO 番号	RESTRICTED TO
WEIGHT	—		A4	00779	1747498	—	
CUSTOMER DRAWING			SCALE 尺度	4:1	SHEET 1 OF 1	REV 01	