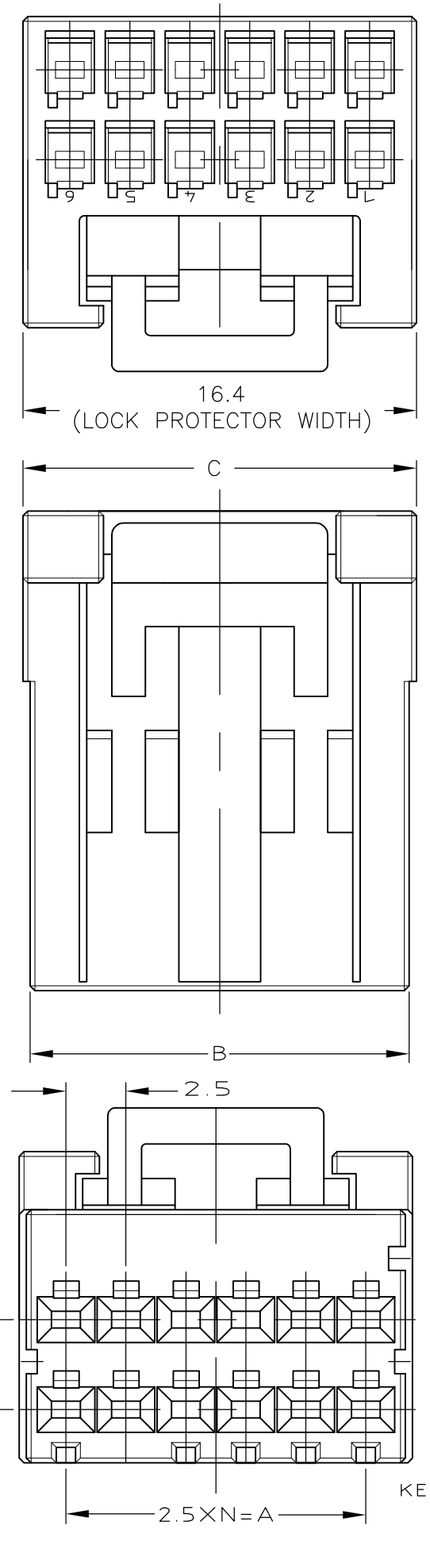


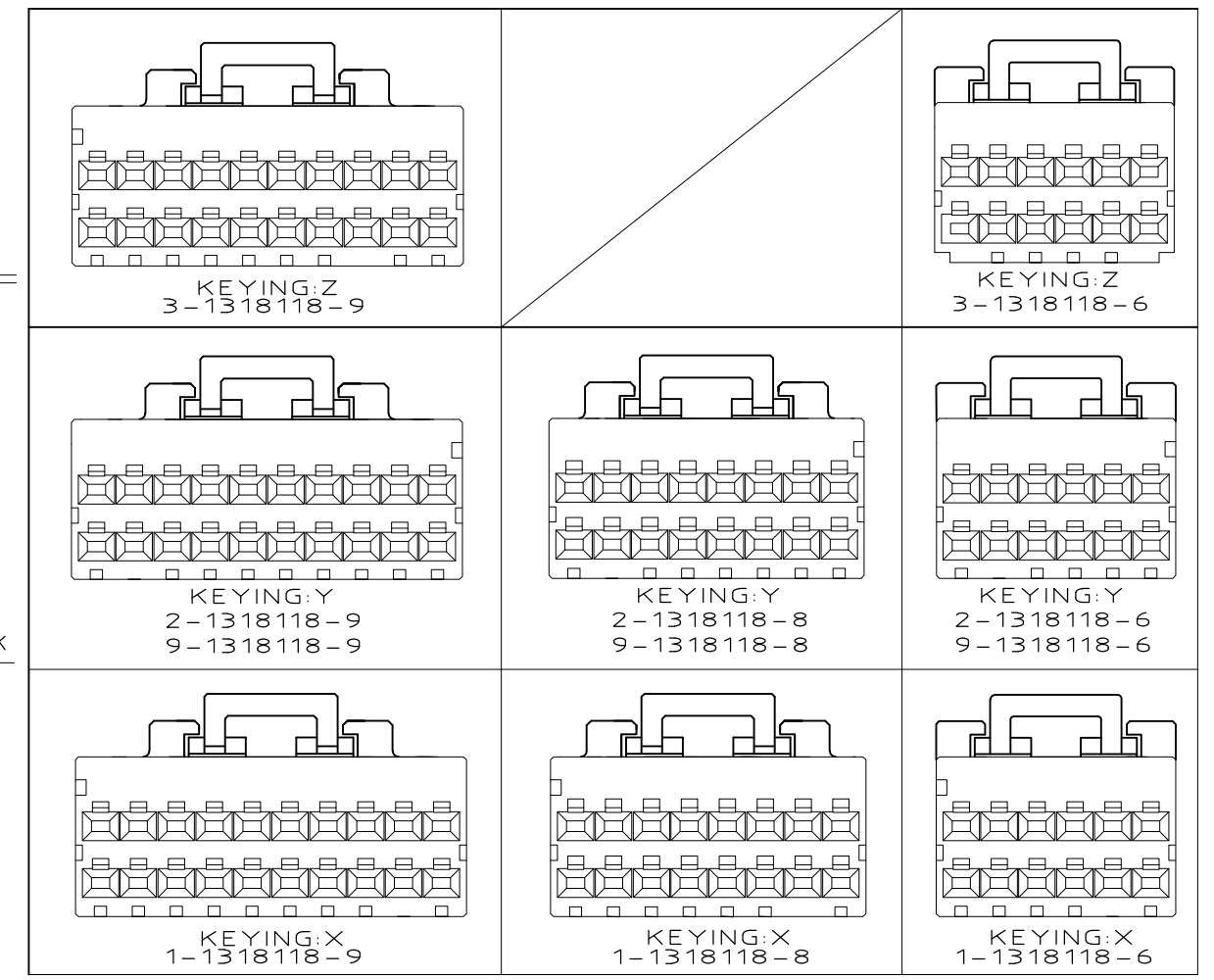
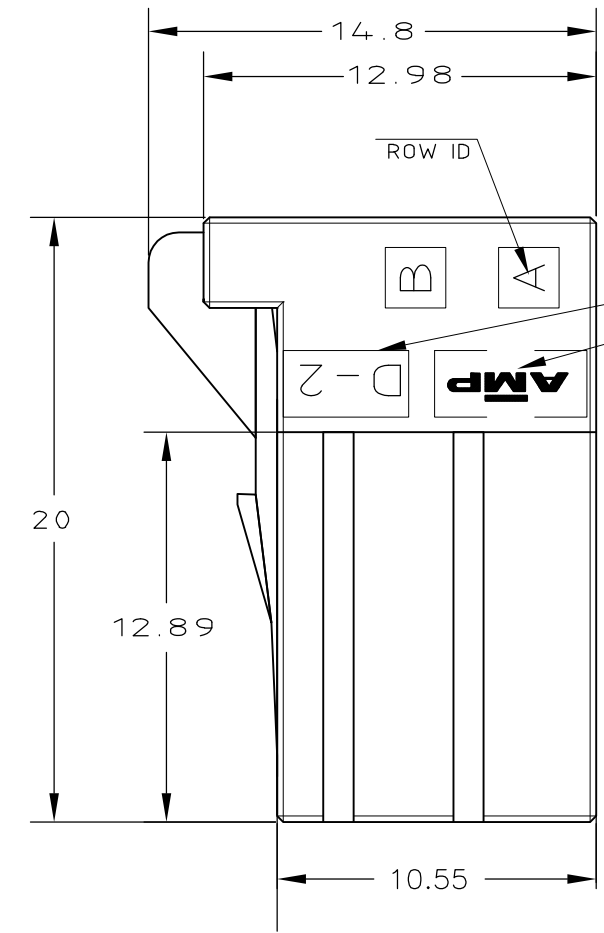
THIS DRAWING IS UNPUBLISHED. RELEASED FOR PUBLICATION  
 © COPYRIGHT - By Tyco Electronics Japan G.K. ALL RIGHTS RESERVED.

勝特力電材超市-龍山店 886-3-5773766  
 勝特力電材超市-光復店 886-3-5729570  
 勝特力電子(上海) 86-21-34970699  
 勝特力電子(深圳) 86-755-83298787  
<http://www.100y.com.tw>

LOC	DIST	P	LTR	DESCRIPTION	DATE	DWN	APVD
J	-			REVISED	17APR2015	H.O	N.Y



NOTES  
 1 MATERIAL:HOUSING:GLASS FILED THERMO PLASTIC ,POLYESTER(94V-0), COLOR:1-/2-/3- : BLACK : 9- : NATURAL  
 2 TO COAT ALL SURFACE OF HOUSING WITH TEFLON  
 3. APPEARANCE CRITERIA IS BASED ON TE CRITERIA.



	-	5.58	26.4	25.8	22.5	9	20	3-1318118-9
OBSOLETE	2	<del>5.58</del>	<del>26.4</del>	<del>25.8</del>	<del>22.5</del>	9	20	<del>5-1318118-9</del>
	-	5.58	26.4	25.8	22.5	9	20	9-1318118-9 2-1318118-9
	-	5.58	26.4	25.8	22.5	9	20	1-1318118-9
	-	4.69	21.4	20.8	17.5	7	16	9-1318118-8 2-1318118-8
	-	4.69	21.4	20.8	17.5	7	16	1-1318118-8
OBSOLETE	2	<del>3.8</del>	<del>16.4</del>	<del>15.8</del>	<del>12.5</del>	5	12	<del>5-1318118-6</del>
	-	3.8	16.4	15.8	12.5	5	12	3-1318118-6
	-	3.8	16.4	15.8	12.5	5	12	9-1318118-6 2-1318118-6
	-	3.8	16.4	15.8	12.5	5	12	1-1318118-6
FINISH	NET WEIGHT(g)	C	B	A	N	POS	PART NUMBER	

THIS DRAWING IS A CONTROLLED DOCUMENT.

DWN K.IKEDA 07DEC1998  
 CHK N.MATSUBARA 07DEC1998  
 APVD I.HASEGAWA 07DEC1998

STE TE Connectivity

DOUBLE ROW REC HSG  
 DYNAMIC D-2100D

108-5619  
 APPLICATION SPEC  
 114-5258  
 WEIGHT

SIZE A3 CAGE CODE 00779 DRAWING NO C-1318118 RESTRICTED TO -

CUSTOMER DRAWING SCALE 4:1 SHEET 1 OF 1 REV H

DIMENSIONS: mm	TOLERANCES UNLESS OTHERWISE SPECIFIED: 0 PLC ± 0.3 1 PLC ± 0.35 2 PLC ± 0.35 3 PLC ± 0.4 4 PLC ANGLES ± 3°
MATERIAL 1	FINISH

# Mouser Electronics

Authorized Distributor

Click to View Pricing, Inventory, Delivery & Lifecycle Information:

[TE Connectivity:](#)

[2-1318118-9](#)