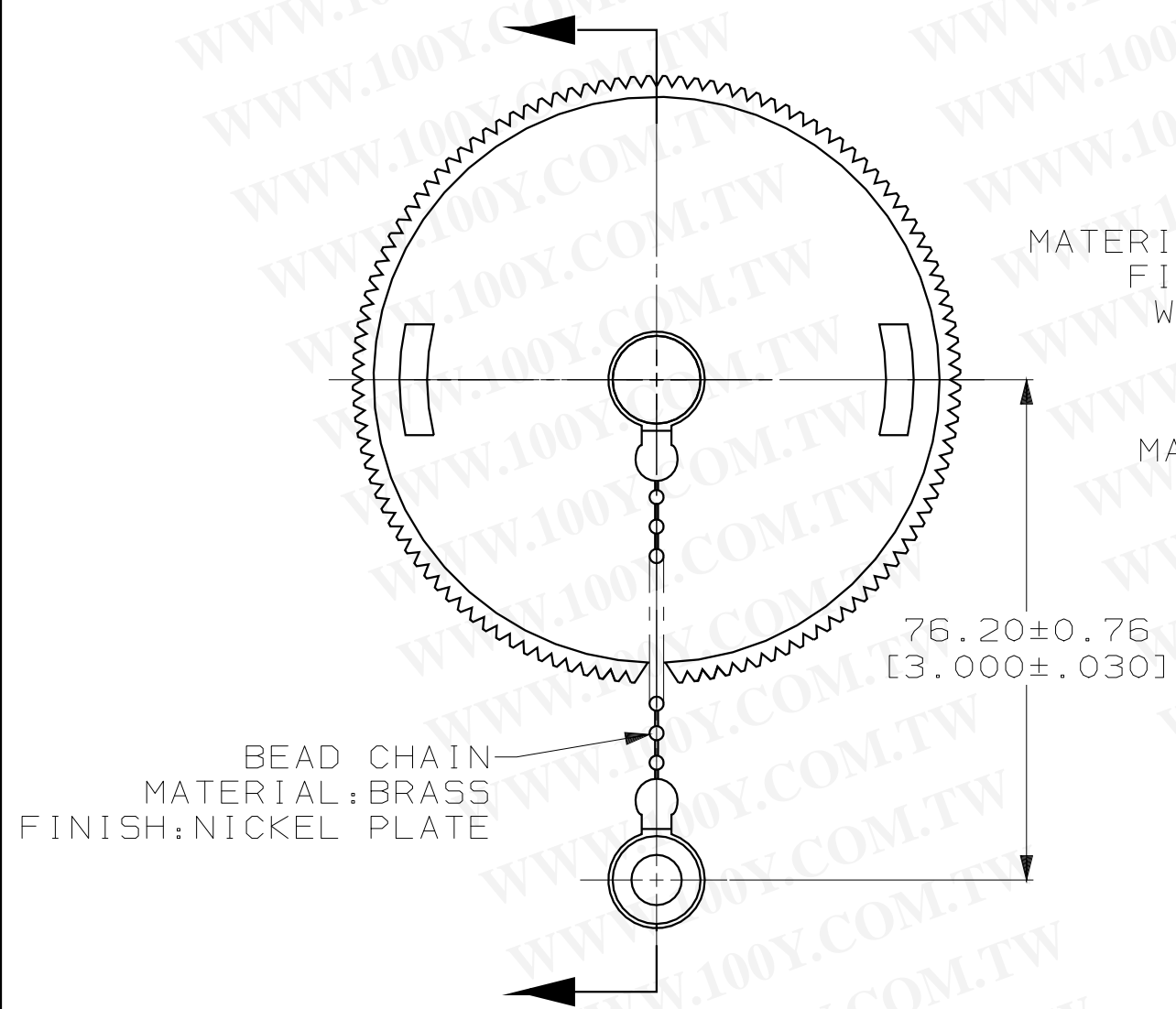


THIS DRAWING IS UNPUBLISHED. RELEASED FOR PUBLICATION, 19 .
 © COPYRIGHT 19 BY AMP INCORPORATED. ALL INTERNATIONAL RIGHTS RESERVED.

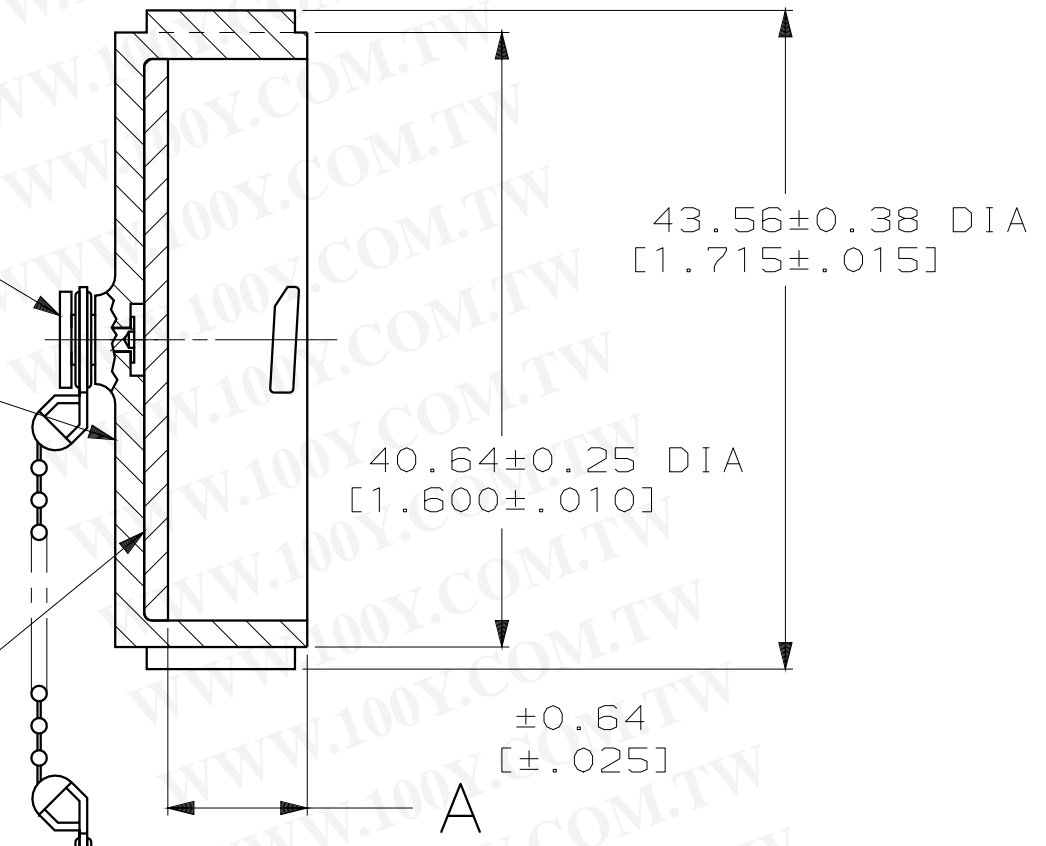
MOD	LOC	DIST	P	F	ZONE	LTR	DESCRIPTION	DATE	APPD
4	BD	35				C	REDRAWN & REV PER EC 0020-680-93	6-10-93	AF



RIVET
MATERIAL: CARBON STEEL
FINISH: ZINC PLATE
W/CLEAR CHROMATE

SEALING CAP
MATERIAL: THERMOPLASTIC
COLOR: BLACK

SEALING GASKET
MATERIAL: ELASTOMER
COLOR: BLACK



6.05 [.238]	208680-2
9.22 [.363]	208680-1
A	PART NUMBER

勝特力材料 886-3-5753170
 勝特力电子(上海) 86-21-34970699
 勝特力电子(深圳) 86-755-83298787
[Http://www.100y.com.tw](http://www.100y.com.tw)

THIS DRAWING IS A CONTROLLED DOCUMENT FOR AMP INCORPORATED. IT IS SUBJECT TO CHANGE AND THE CONTROLLING ENGINEERING ORGANIZATION SHOULD BE CONTACTED FOR THE LATEST REVISION.

DO NOT SCALE PRINT. UNLESS SPECIFIED DIMENSIONS IN mm [INCHES]		AMP	
TOLERANCES ON:		AMP Incorporated Harrisburg, PA 17105-3608	
2 PLC DEC ± 0.13(.005)		NAME	
3 PLC DEC ± -		SEALING CAP ASSY, SIZE 23, WITH BEAD CHAIN, CPC	
ANGLES ± -		SIZE	CAGE CODE
MATERIAL	SEE CALLOUTS	B	00779
FINISH	SEE CALLOUTS	SCALE	DRAWING NO
		2:1	C-208680
			SHEET
			1 OF 1