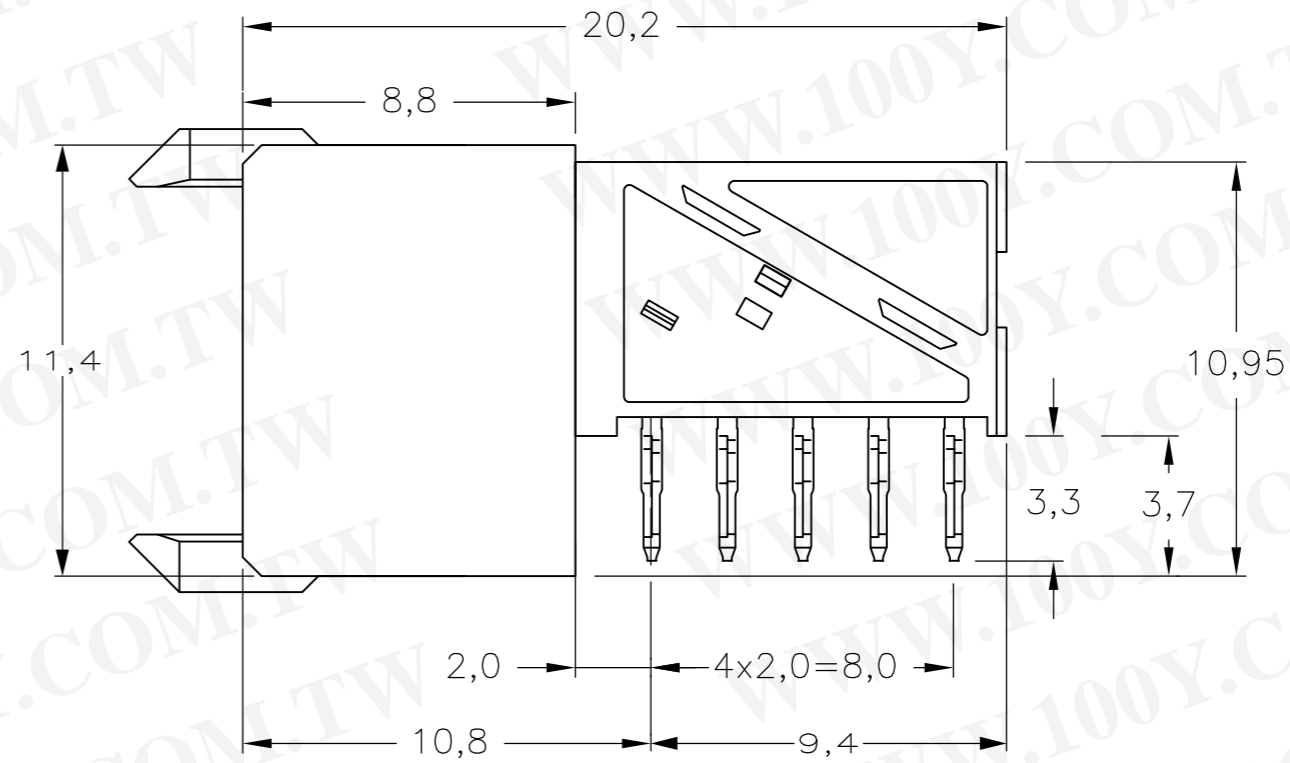
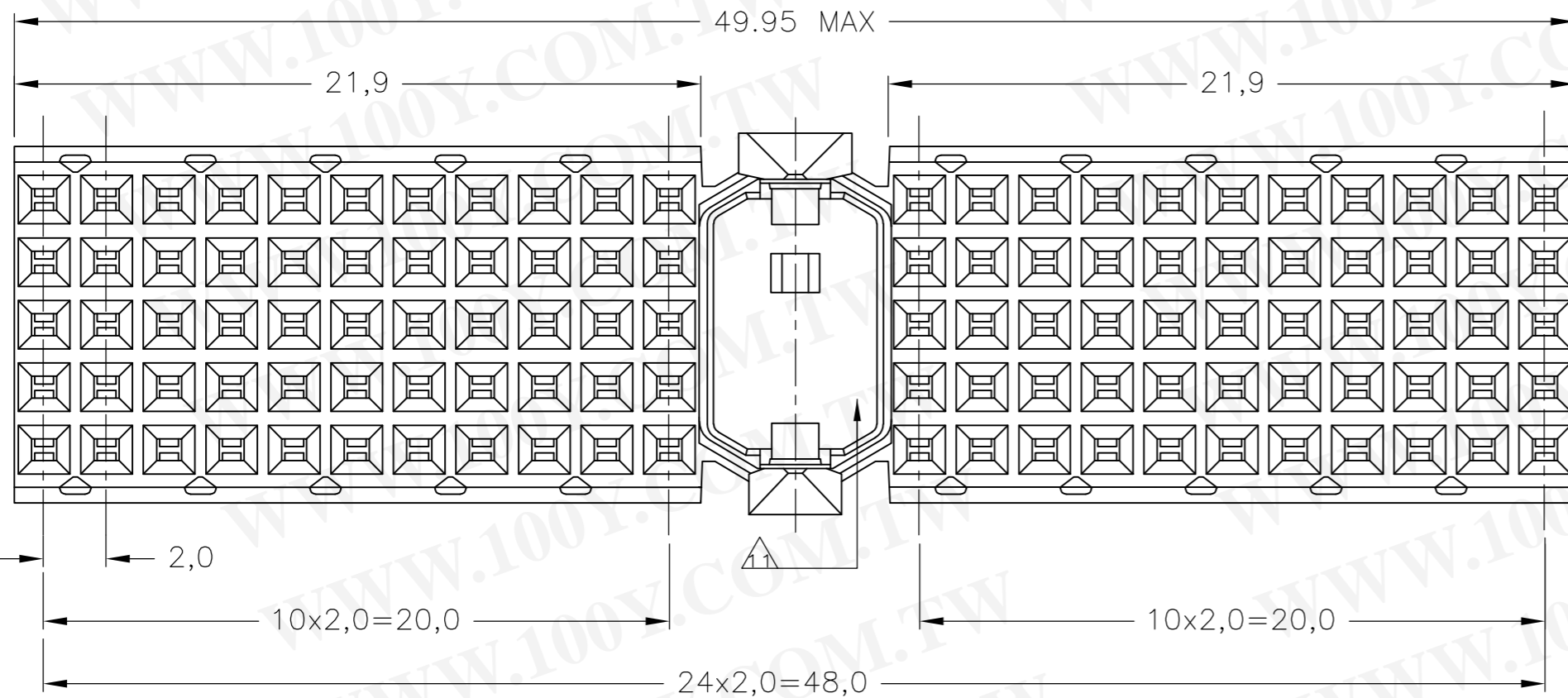
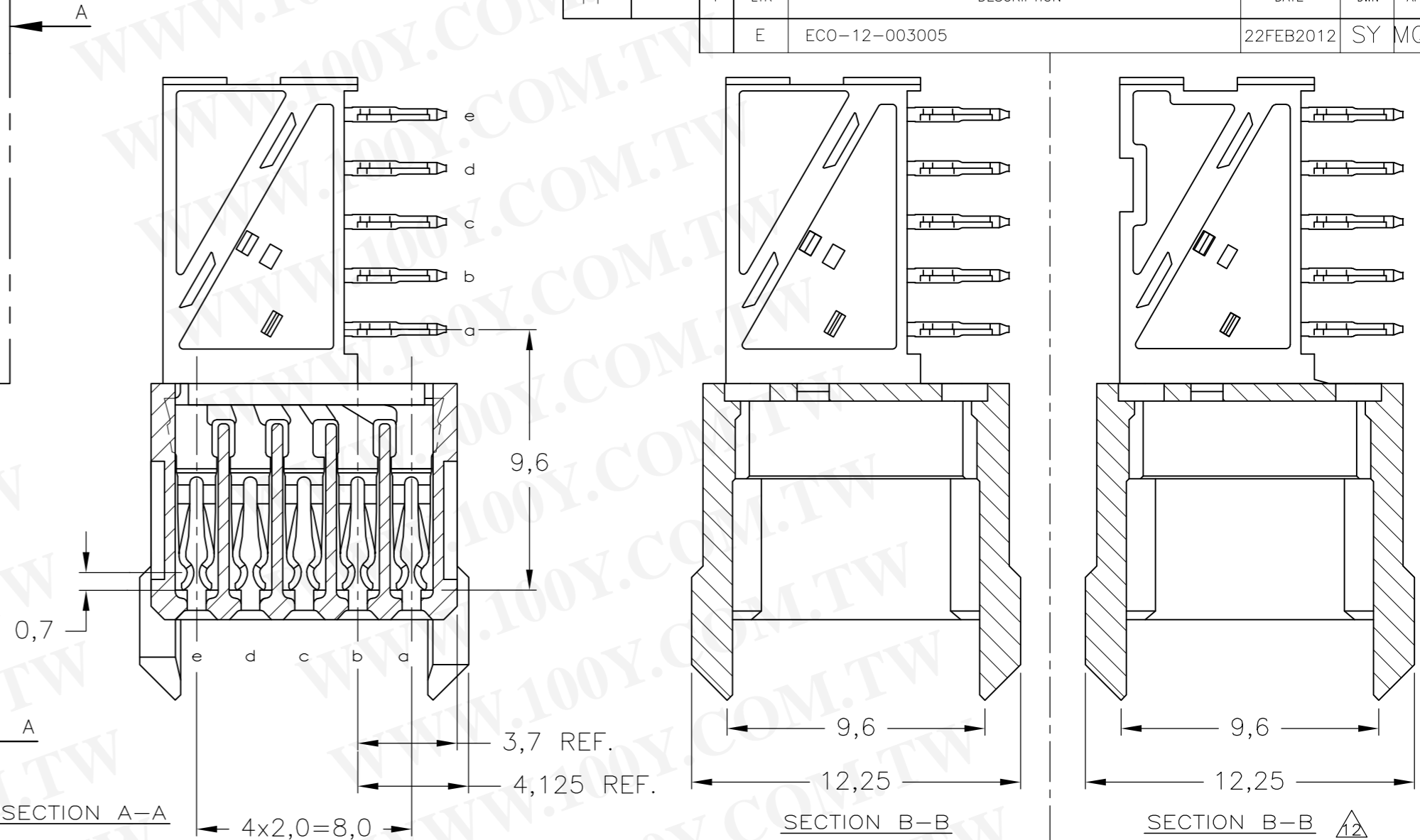
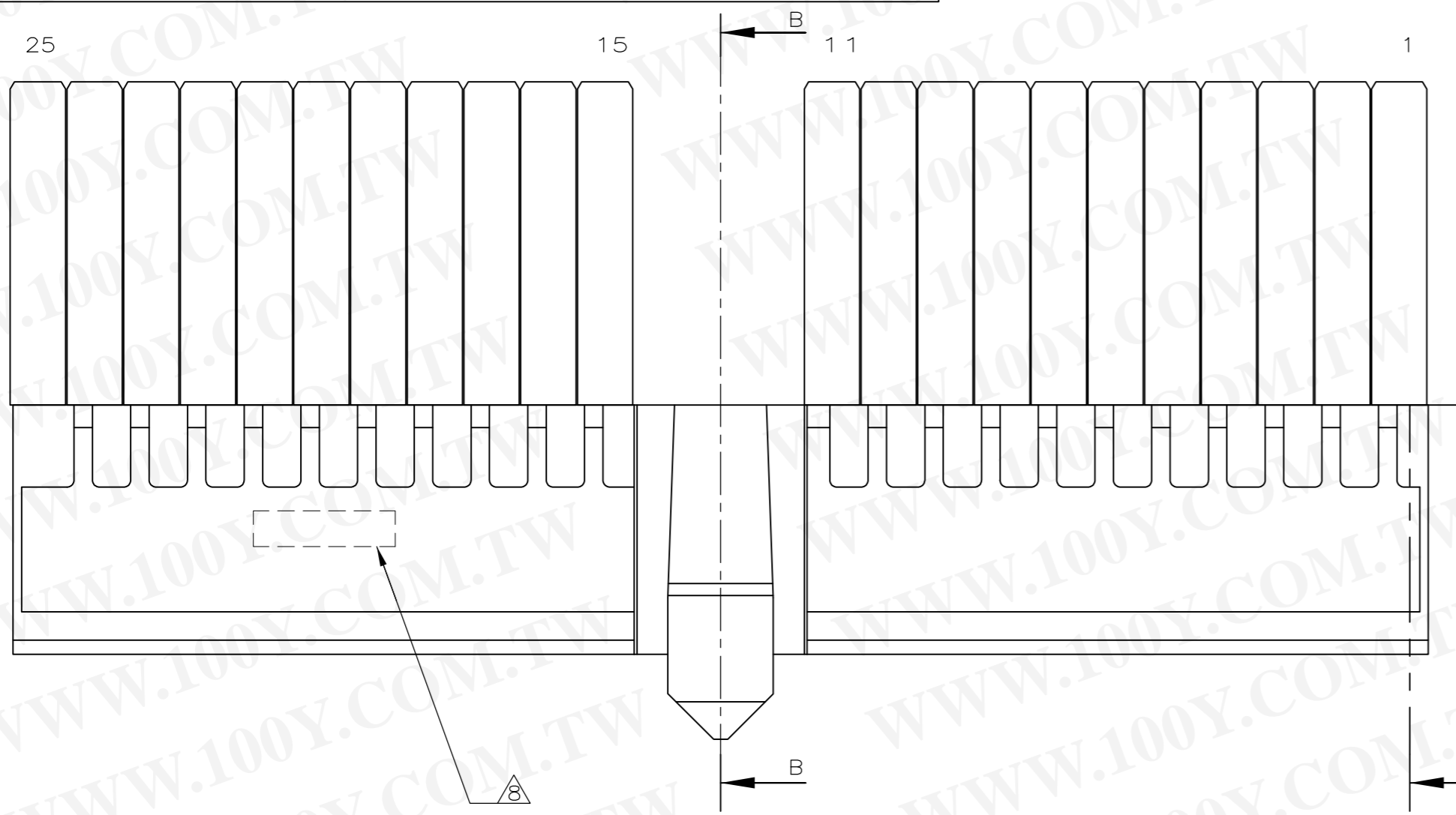
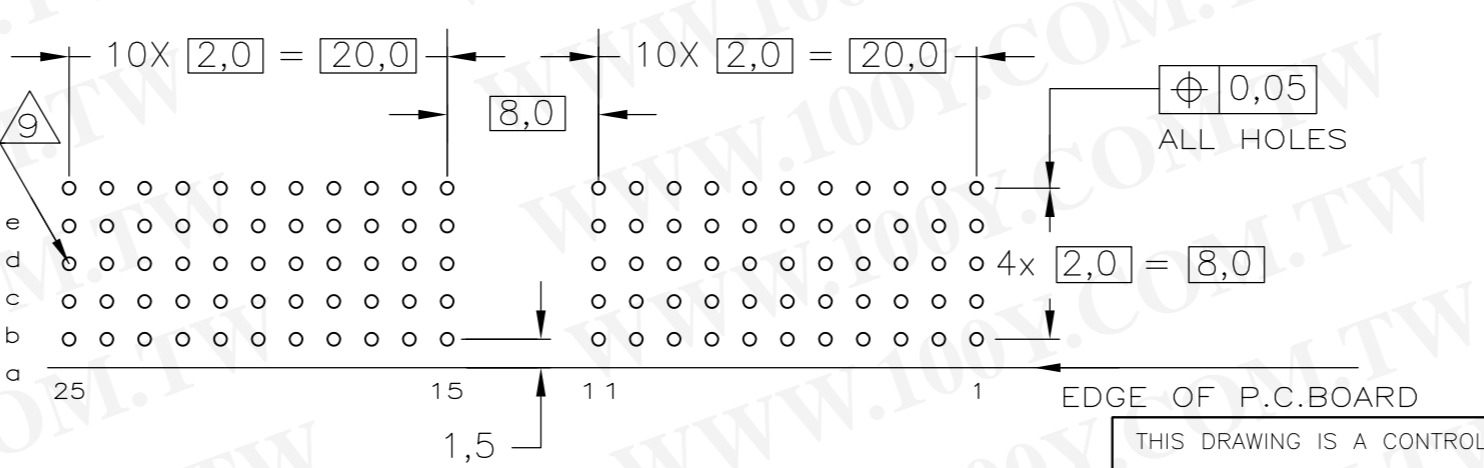


THIS DRAWING IS UNPUBLISHED. RELEASED FOR PUBLICATION
 © COPYRIGHT - By - ALL RIGHTS RESERVED.

LOC	DIST	REVISIONS			
P	LTR	DESCRIPTION	DATE	DWN	APVD
H	-	ECO-12-003005	22FEB2012	SY	MQW



- NOTES:**
- 1 MATERIAL CONTACT; PHOSPHORBRONZE
 - 2 MATERIAL HOUSING; GLASSFILLED POLYESTER (GRAY) UL-RATING 49V0
 - 3 GENERAL PLATING SPECIFICATION: UNDERPLATING (ENTIRE CONTACT): 1,27µm NICKEL MIN. AND ACTION PIN: 0,5µm TIN MIN. FOR PLATING OF MATING SURFACES SEE APPLICABLE SPECIFICATION REFERENCE FOR EACH DASH NUMBER.
 - 4 CONFORMS TO ALL TESTING ACCORDING IEC 61076-4-101 PERFORMANCE LEVEL 2.
 - 5 CONFORMS TO ALL TESTING ACCORDING IEC 61076-4-101 PERFORMANCE LEVEL 1.
 - 6 CONNECTOR TESTED AND QUALIFIED AGAINST TELCORDIA GR-1217-CORE QUALITY LEVEL III, CENTRAL OFFICE APPLICATIONS.
 - 7 CONNECTOR TESTED AND QUALIFIED AGAINST TELCORDIA GR-1217-CORE QUALITY LEVEL III, UNCONTROLLED ENVIRONMENT APPLICATIONS.
 - 8 CONNECTOR LUBRICATED WITH TELCORDIA GR-1217-CORE APPROVED LUBRICANT.
 - 9 CONNECTOR MARKED WITH PARTNUMBER AND DATECODE. THE MARKING CAN APPEAR ON THE FRONT SIDE OR ON THE BACK SIDE.
 - 10 PLATED-THROUGH HOLES AT 2x2mm SQUARE GRID. 110 HOLES.
 - 11 FITS WITH INTEGRATED GROUND RETURN UPPERSHIELD, BASIC P.N. 5338107 AND INTEGRATED GROUND RETURN LOWERSHIELD, BASIC P.N. 5338108
 - 12 AREA RESERVED FOR CODING KEY, BASIC P.N. 100526
 - 13 CONNECTOR ASSEMBLED WITH ALTERNATE FEMALE CONTACTS.
 - 14 0,76µm MIN. GOLD PLATING AT MATING SURFACES.



SCALE 2,5:1
 COMPONENT SIDE AS SHOWN
 RECOMMENDED PCB-HOLE LAY-OUT

P.C.B. HOLE DIM. ACTION PIN
 FOR DETAILS SEE APPLICATION SPECIFICATION

勝特力材料 886-3-5753170
 勝特力电子(上海) 86-21-34970699
 勝特力电子(深圳) 86-755-83298787
[Http://www.100y.com.tw](http://www.100y.com.tw)

FINISH	MATERIAL	PARTNUMBER
23		3-5100147-0
26		1-5100147-9
25		5100147-9
24		5100147-4
23		5100147-1

THIS DRAWING IS A CONTROLLED DOCUMENT.		DWN K.N.KIRAN 05AUG2004	TE Connectivity	
DIMENSIONS: mm	TOLERANCES UNLESS OTHERWISE SPECIFIED: ±0.2	CHK B.MOOIJ 22SEP2004	Z-PACK 2mm HM TYPE A 110 POS. FEMALE CONNECTOR	
MATERIAL	FINISH	APVD B.MOOIJ 22SEP2004	NAME	
		PRODUCT SPEC 108-19082	SIZE	A2
		APPLICATION SPEC 114-19029	CAGE CODE	00779
		WEIGHT	DRAWING NO	C=5100147
		CUSTOMER DRAWING	RESTRICTED TO	
		SCALE 5:1	SHEET 1 of 1	REV E