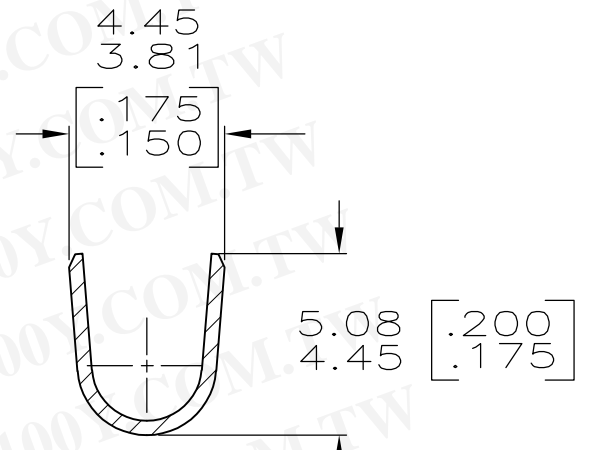
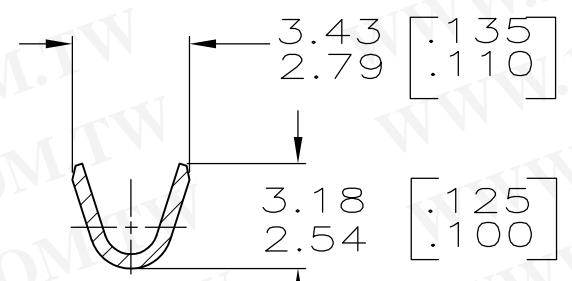
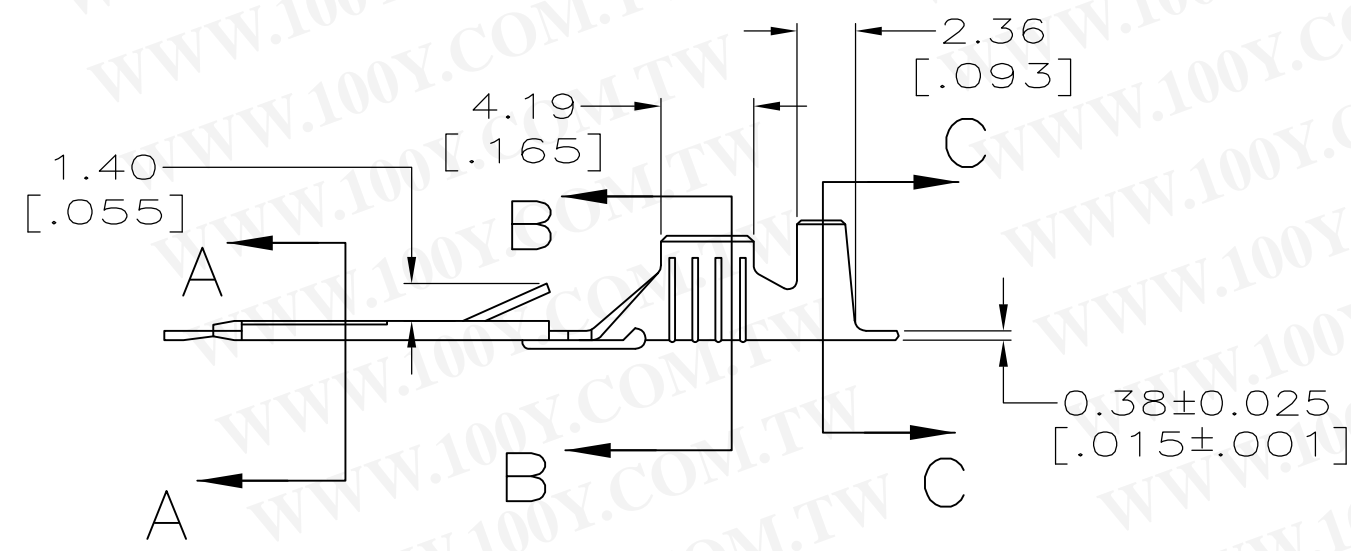
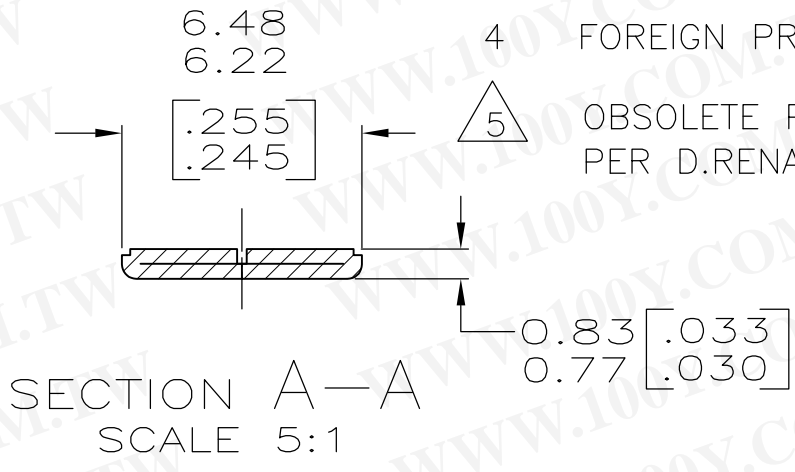
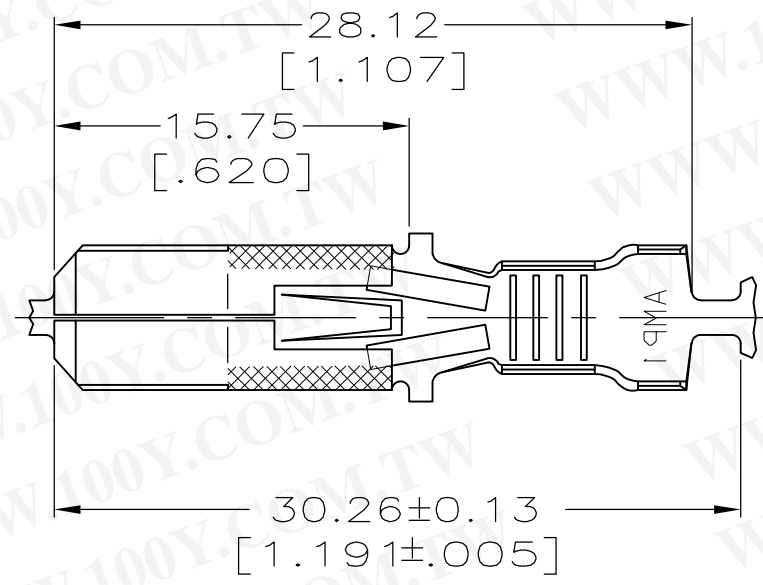


THIS DRAWING IS UNPUBLISHED. RELEASED FOR PUBLICATION
 © COPYRIGHT - By - ALL RIGHTS RESERVED.

LOC	DIST	REVISIONS			
P	LTR	DESCRIPTION	DATE	DWN	APVD
AF	50	T	REVISED PER ECR-13-005733	26AUG2013	KH PD



5 OBSOLETE	TIN	-60294-9	4
	PRE-TIN	-60294-4	4
	TIN	60294-2	
	-	60294-1	
	FINISH	PART NO.	

勝特力材料 886-3-5753170
 勝特力电子(上海) 86-21-34970699
 勝特力电子(深圳) 86-755-83298787
[Http://www.100y.com.tw](http://www.100y.com.tw)

THIS DRAWING IS A CONTROLLED DOCUMENT.		DWN	JR RUTH	5/1/96	TE Connectivity			
DIMENSIONS: mm		CHK	MS FEHER	5/1/96				
TOLERANCES UNLESS OTHERWISE SPECIFIED:		APVD	J GILLESPIE	5/1/96	NAME			
0 PLC	± -	PRODUCT SPEC			TAB, FASTIN-FASTON, 6.35 [.250] SERIES			
1 PLC	± -	APPLICATION SPEC			SIZE	CAGE CODE	DRAWING NO	RESTRICTED TO
2 PLC	± 0.38 [.015]	114-2025			A3	00779	C-60294	
3 PLC	± -	WEIGHT			CUSTOMER DRAWING			
4 PLC	± -	MATERIAL			SCALE	SHEET	REV	
ANGLES	± -	BRASS			5:1	1 OF 1	T	
FINISH	SEE TABLE							