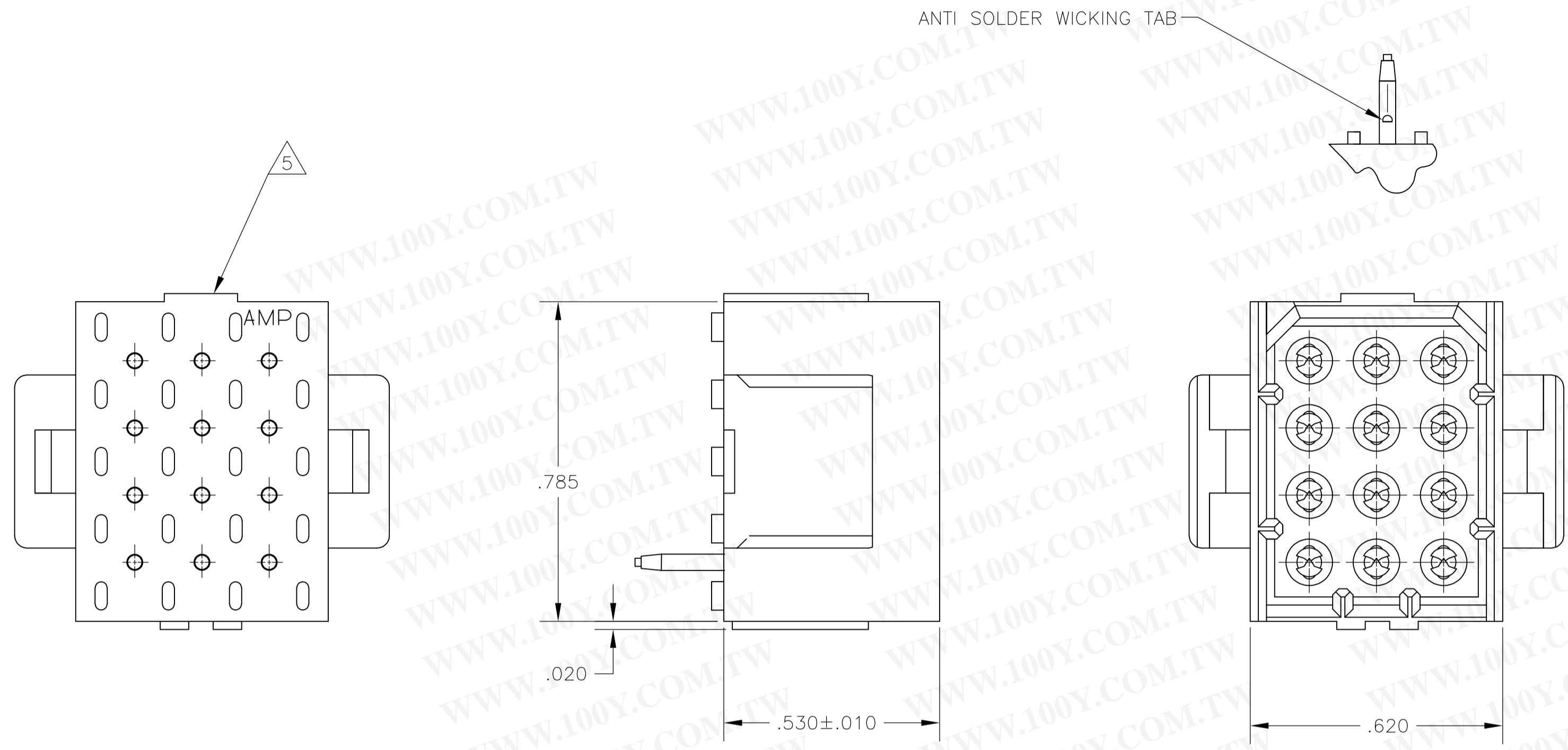
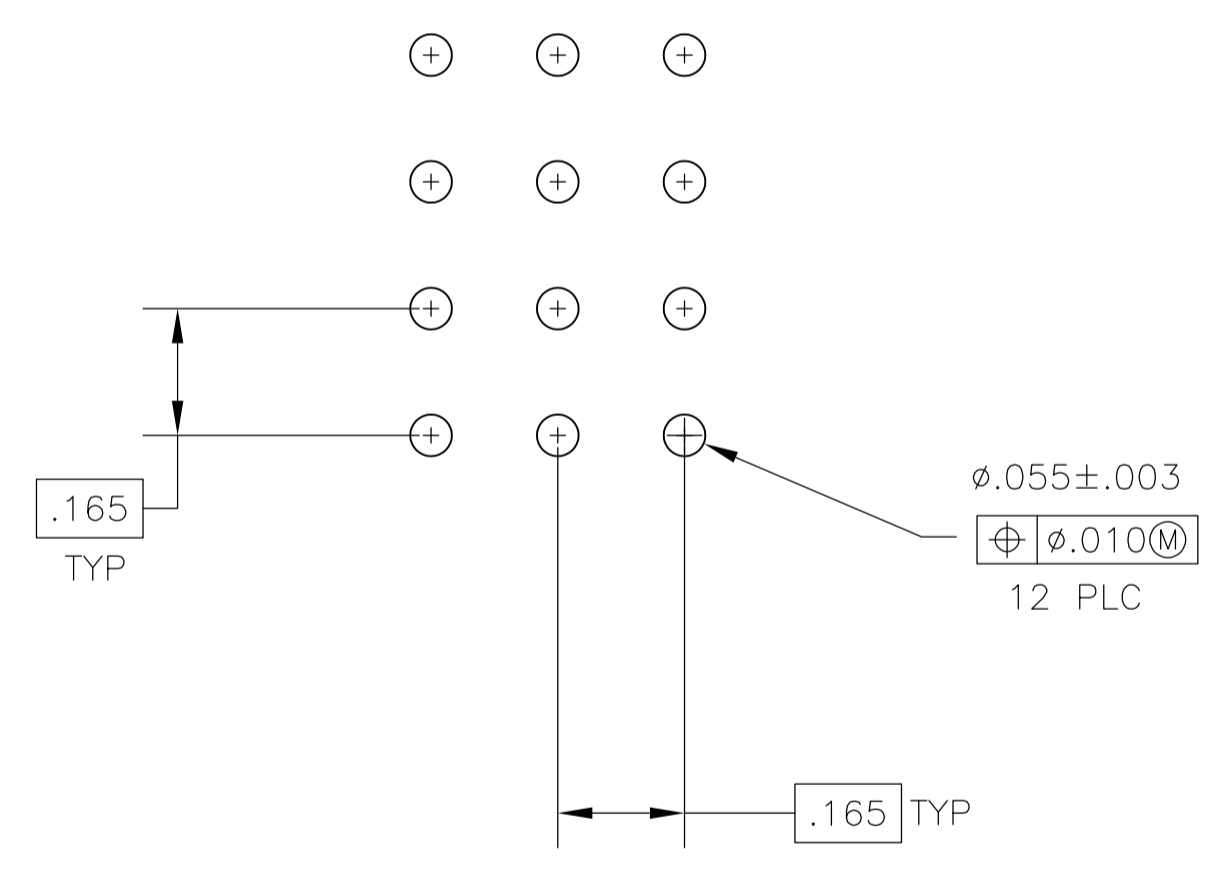


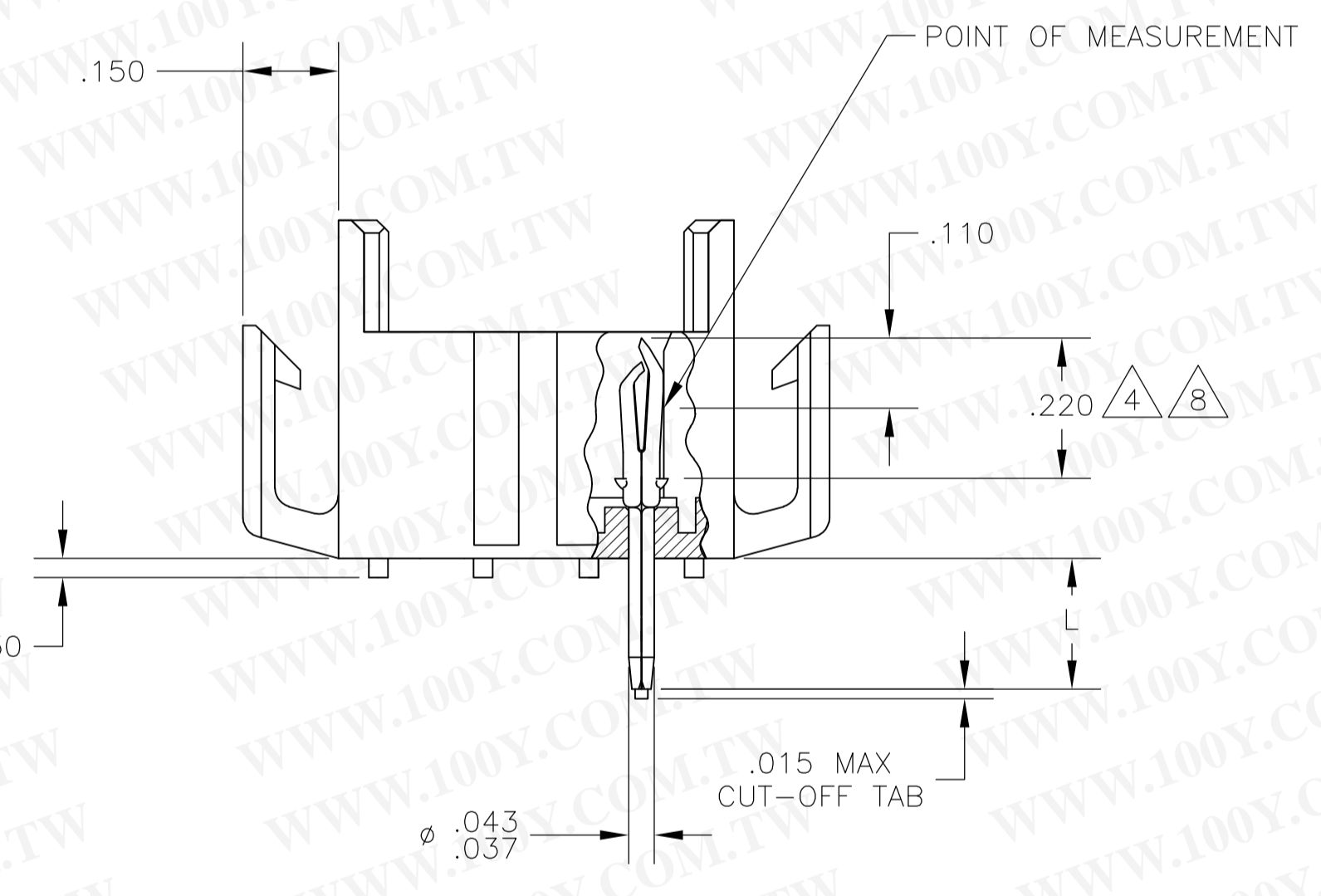
LOC	DIST	REVISIONS				
CM	0	REV	DESCRIPTION	DATE	DWN	APVD
		S	EC 063B 0249 05	27SEP05	BSV	RCJ
		S1	REVISED PER ECO-10-000443	15JAN10	KK	AEG



1. FITS SOCKET HOUSING 640522.
2. ASSEMBLY CONFORMS TO AMP SOLDERABILITY SPEC. 109-11-3.
3. FOR USE WITH .063 THICK P.C. BOARD.
4. CONTACT IS PLATED OVERALL WITH .000050 NICKEL, THEN .000030 GOLD OVER CONTACT LENGTH INDICATED AND .000150 MATTE TIN-LEAD ON SOLDER TAIL END.
5. UL AND CSA LOGO LOCATED ON THIS SURFACE.
6. FOR USE WITH .120 THICK P.C. BOARD.
7. FOR USE WITH .093 THICK P.C. BOARD.
8. CONTACT IS PLATED OVERALL WITH .000050 NICKEL, THEN .000030 GOLD OVER CONTACT LENGTH INDICATED AND .000150 MATTE TIN ON SOLDER TAIL END.
9. OBSOLETE PARTS: OBSOLETE CIS STREAMLINING PER D.RENAUD/D.SINISI



RECOMMENDED P.C. BOARD LAYOUT



**勝特力材料 886-3-5753170**  
**勝特力电子(上海) 86-21-34970699**  
**勝特力电子(深圳) 86-755-83298787**  
[Http://www.100y.com.tw](http://www.100y.com.tw)

REV	DESCRIPTION	DATE	DWN	APVD	
9	OBSOLETE				
	.180		BRICK RED	GOLD	2-640502-6
	.210		BRICK RED	GOLD	2-640502-4
	.150		BRICK RED	GOLD	2-640502-2
	OBSOLETE		BRICK RED	GOLD	640502-6
	.210		BRICK RED	GOLD	640502-4
	.210		BRICK RED	PRE-TIN	640502-3
	.150		BRICK RED	GOLD	640502-2
	.150		BRICK RED	PRE-TIN	640502-1
"L" ± .010 / -.020		HOUSING COLOR	PIN FINISH	PART NUMBER	

IN	MM	IN	MM	IN	MM	IN	MM
.010	0.25	.055	1.40	.210	5.33	-	-
.008	0.20	.043	1.09	.180	4.57	-	-
.005	0.13	.037	0.94	.165	4.19	.785	19.94
.003	0.08	.030	0.76	.150	3.81	.620	15.75
.000050	0.00127	.020	0.51	.110	2.79	.530	13.46
.000030	0.00076	.015	0.38	.063	1.60	.220	5.59

CONVERSION TABLE

METRIC

THIS DRAWING IS A CONTROLLED DOCUMENT.

DIMENSIONS: INCHES	TOLERANCES UNLESS OTHERWISE SPECIFIED:	APVD: J. HUFFMAN 28 APR 98	CHK: R. SWING 28 APR 98	NAME: T. REDDICK 28 APR 98	DATE: 28 APR 98
0. PLC ± - 1. PLC ± - 2. PLC ± - 3. PLC ± .005 4. PLC ± - ANGLES ± 0° 30'		Tyco Electronics Corporation Harrisburg, PA 17105-3608		Tyco Electronics Corporation Harrisburg, PA 17105-3608	
MATERIAL: HOUSING FLAME RETARDANT (UL 94V-0) PIN: .008 PH BRZ.		FINISH: SEE FINISH		PRODUCT SPEC: - APPLICATION SPEC: - WEIGHT: - CUSTOMER DRAWING: -	
DRAWING NO: 640502 SCALE: 4:1		SHEET: 1 OF 1		REV: S1	