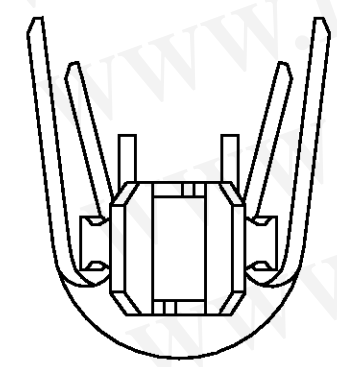
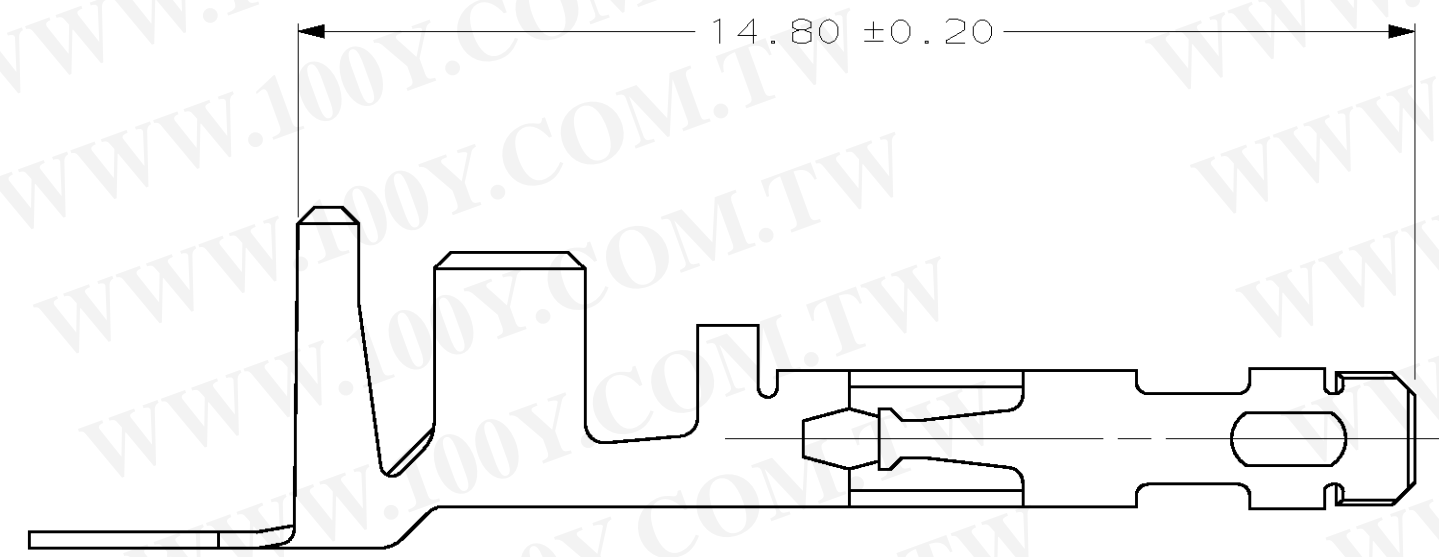
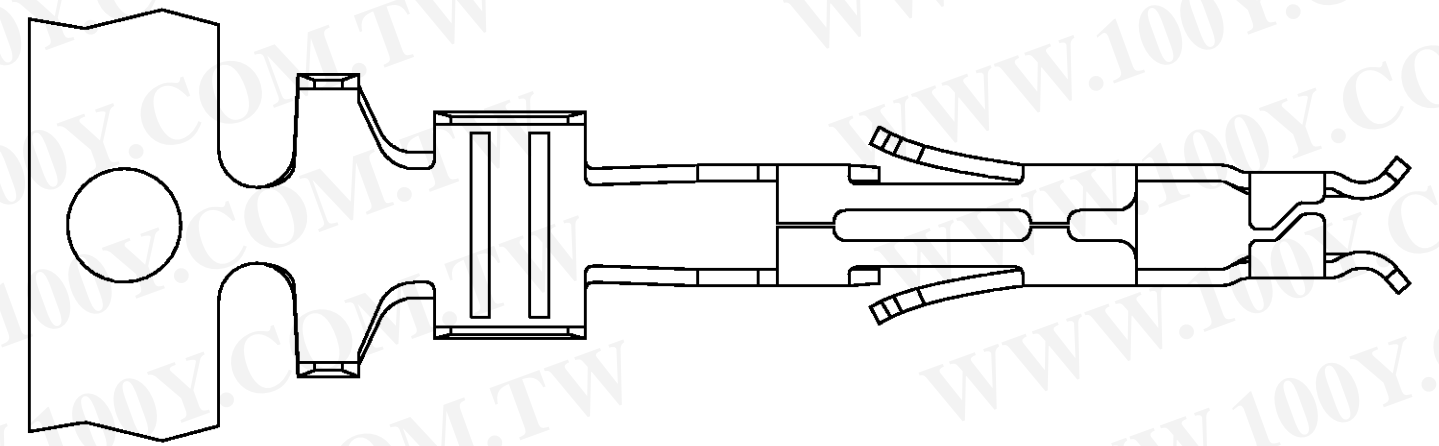


THIS DRAWING IS UNPUBLISHED. RELEASED FOR PUBLICATION .19
 © COPYRIGHT 19 BY AMP INCORPORATED. ALL RIGHTS RESERVED.

LOC	DIST	REVISIONS			
P	LTR	DESCRIPTION	DATE	DWN	APVD
CM	53	C	REVISED PER EC 063B-0290-00	12-JUN-00	KW SR

勝特力材料 886-3-5753170
勝特力电子(上海) 86-21-34970699
勝特力电子(深圳) 86-755-83298787
[Http://www.100y.com.tw](http://www.100y.com.tw)

1. △ APPLICATOR TOOL: 680350-3.
2. CONTACT EXTRACTION TOOL: 188688-1.
3. WIRE RANGE: (2) 0.8-0.9mm² (2X18 AWG) OR (1) 1.2mm² (1X16 AWG).
4. INSULATION RANGE: 3.3 DIA MAX. FOR 2X18 AWG AND 3.0 DIA MAX FOR 1X16 AWG.



794421-1	PRE-TIN	0.22 PH BRZ	794418-1
LOOSE PIECE (REF)	FINISH	MATERIAL	PART NO

THIS DRAWING IS A CONTROLLED DOCUMENT.		DWN R. VESTAL 9-02-97	AMP Incorporated Harrisburg, PA 17105-3608
DIMENSIONS: mm		CHK R. SWING 9-02-97	
		APVD C. CASH 9-02-97	
TOLERANCES UNLESS OTHERWISE SPECIFIED:		NAME	
0 PLC ±	1 PLC ±	CONTACT, SOCKET, AMP-DUAC™ POWER CONNECTOR	
2 PLC ±0.10	3 PLC ±	APPLICATION SPEC 108-1646	
4 PLC ±	ANGLES ±0°30'	SIZE CAGE CODE DRAWING NO RESTRICTED TO	
MATERIAL SEE TABLE	FINISH SEE TABLE	A2 00779 C-794418	
CUSTOMER DRAWING		SCALE 10:1 SHEET 1 OF 1 REV C	

METRIC

794418