



AMP INCORPORATED
HARRISBURG, PENNA.

A-MP* EXTRACTION TOOL
(CATALOG NO. 91019-3)
FOR A-MP TYPE XII CONTACTS

IS 7276

RELEASED 6-10-66

REVISED

CONNECTOR PRODUCTS DIVISION

1. This Tool (see Figure 1) is used to extract A-MP Type XII Contacts from their Housings. A list of the Contacts is shown in the chart in Figure 2. Read these instructions carefully before using the Tool.

勝特力材料 886-3-5753170
勝特力电子(上海) 86-21-34970699
勝特力电子(深圳) 86-755-83298787
[Http://www.100y.com.tw](http://www.100y.com.tw)

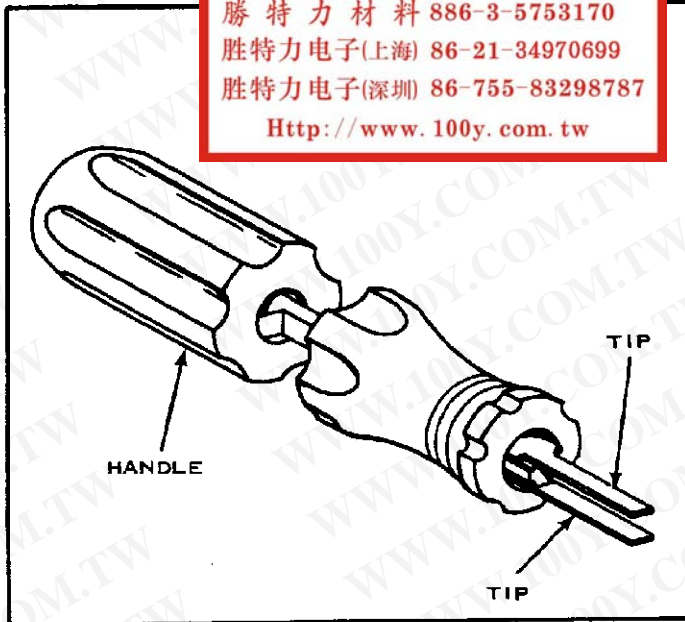


FIG. 1

2. EXTRACTION MALE CONTACT

- (a) Pull rear section of Handle back.
- (b) Keeping sections of Handle separated, slide Tool Tips over Male Contact and into Offsets in Cavity. See Figure 3.
- (c) Push Tips of Tool into Housing until they bottom in Cavity.
- (d) Keeping Tool bottomed in Cavity, push rear section of Handle toward Housing.
- (e) Remove Contact by pulling it out of rear of Cavity.

CONTACT NUMBER	
FEMALE	MALE
66258 (66252 LP)	66261 (66255 LP)
	66262 (66256 LP)
	66329 (66330 LP)
66257 (66251 LP)	66259 (66253 LP)
	66260 (66254 LP)
	66326 (66327 LP)

FIG. 2

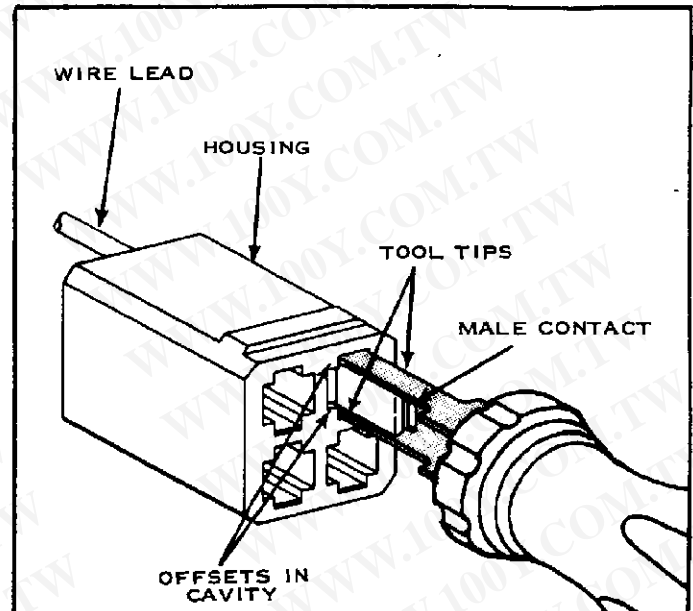


FIG. 3

3. EXTRACTION FEMALE CONTACT

- (a) Insert Tool Tips into Offsets in Cavity as shown in Figure 4.
- (b) Push Tool into Housing until it bottoms in Cavity. Note that rear section of the Handle will back out of Tool.
- (c) Keeping Tool bottomed in Cavity, push rear section of Handle toward Housing.
- (d) Remove Contact by pulling it out of rear of Cavity.

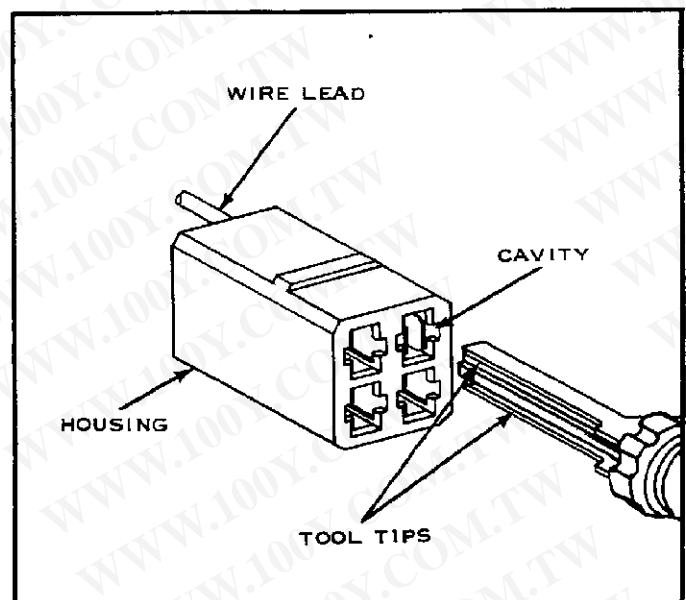


FIG. 4

© 1966 by AMP Incorporated. All international rights reserved. A-MP®
Products covered by U. S. and foreign patents and/or patents pending.