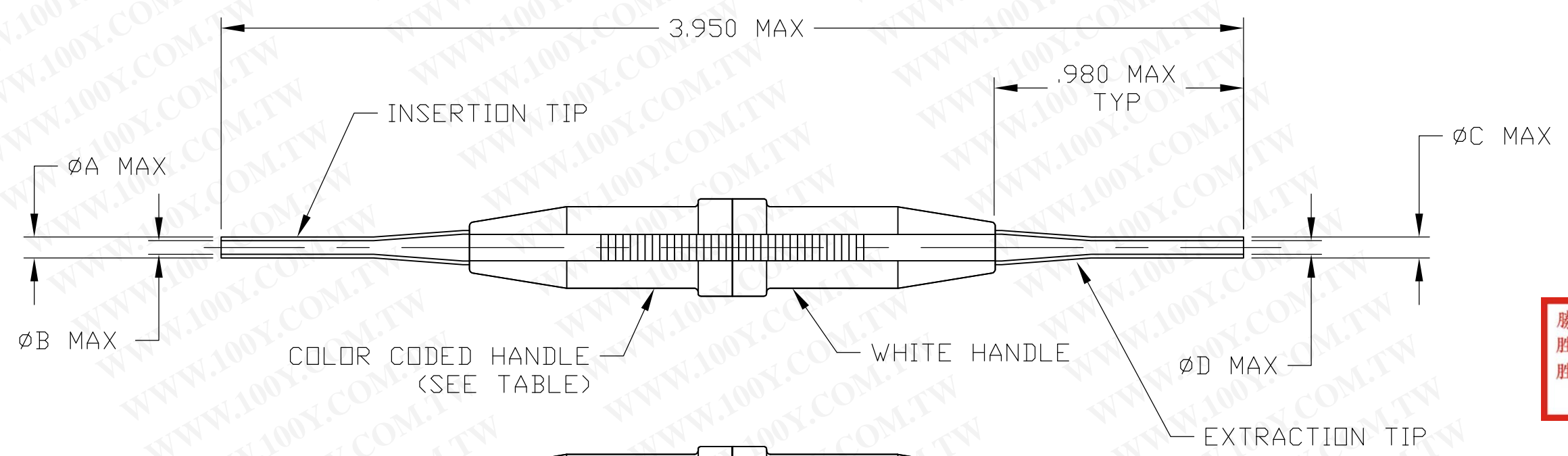
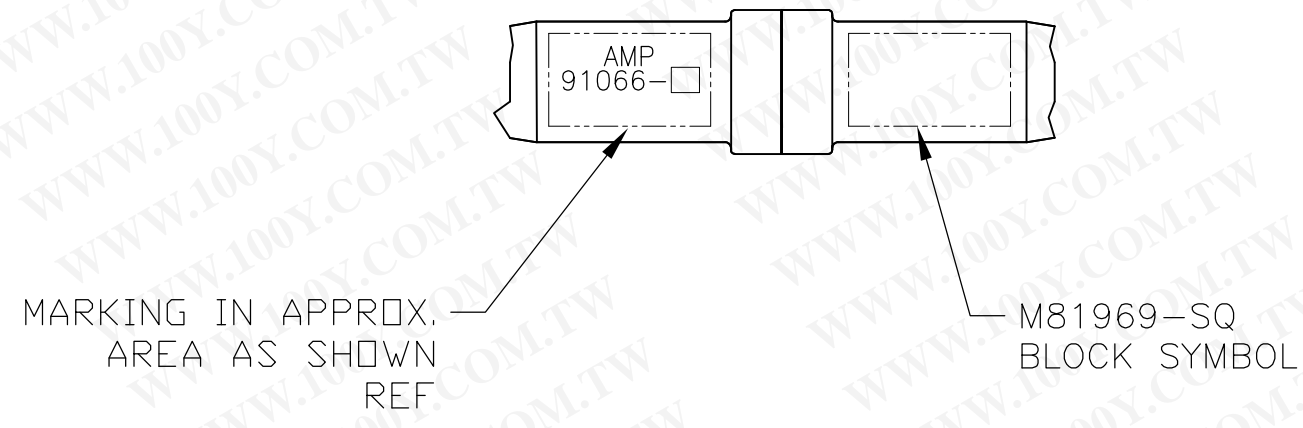


THIS DRAWING IS UNPUBLISHED. RELEASED FOR PUBLICATION N/A ,N/A .
 © COPYRIGHT N/A By - ALL RIGHTS RESERVED.

LOC	DIST	REVISIONS					
DF	AO	P	LTR	DESCRIPTION	DATE	DWN	APVD
		D1		REVISED PER ECO-11-005030	11MAR11	RK	HMR



勝特力材料 886-3-5753170
 勝特力电子(上海) 86-21-34970699
 勝特力电子(深圳) 86-755-83298787
[Http://www.100y.com.tw](http://www.100y.com.tw)



1. FOR CORRECT TOOL USAGE SEE INSTRUCTION SHEET: I. S. 408-7491.

-	.072	.087	.073	.085	RED	20	91066-4
M81969/1-03	.116	.136	.114	.134	BLUE	16	91066-3
M81969/1-01	.055	.074	.056	.065	LT. GREEN	22	91066-1
MILITARY PART NO. REF	DIM D	DIM C	DIM B	DIM A	COLOR CODE	SIZE	PART NUMBER

THIS DRAWING IS A CONTROLLED DOCUMENT.

DIMENSIONS: INCHES	TOLERANCES UNLESS OTHERWISE SPECIFIED:	DWN C.C.THOMAS 4-30-03	STE TE Connectivity
	0 PLC ± -	CHK S.GLATFELTER 4-30-03	
	1 PLC ± -	APVD S.GLATFELTER 4-30-03	
	2 PLC ± -	NAME	
MATERIAL: PLASTIC & STEEL	FINISH: NICKEL PLATED	PRODUCT SPEC: -	INSERTION/EXTRACTION TOOL
		APPLICATION SPEC: -	SIZE: A3
		WEIGHT: -	CAGE CODE: 00779
			DRAWING NO: C-91066
			RESTRICTED TO: -
			SCALE: 2:1
			SHEET: 1 OF 1
			REV: D1

CUSTOMER DRAWING