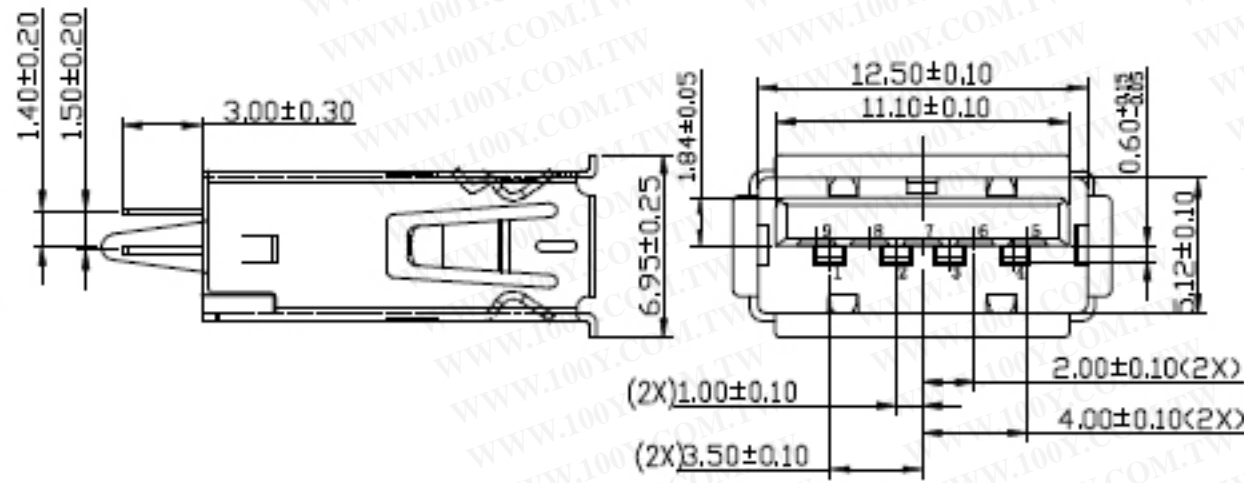
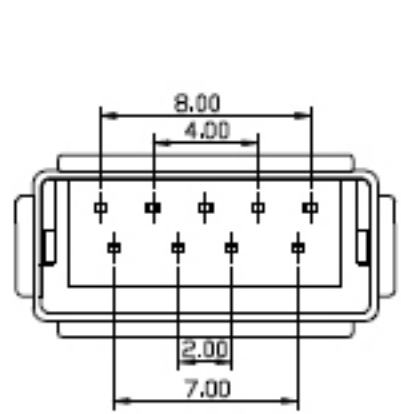
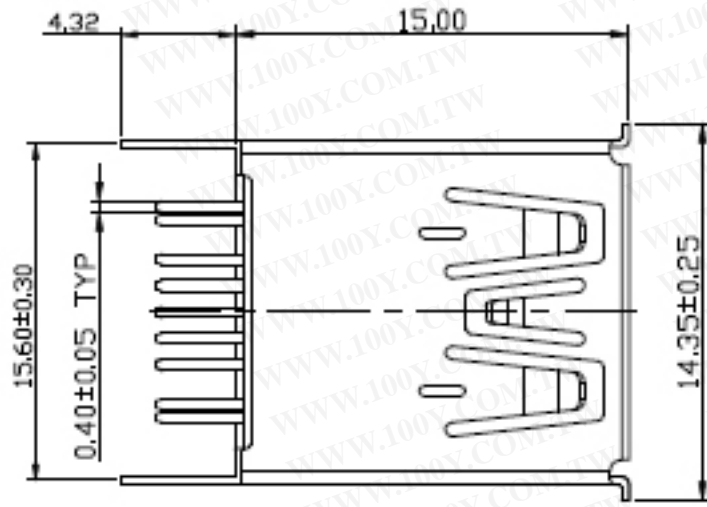
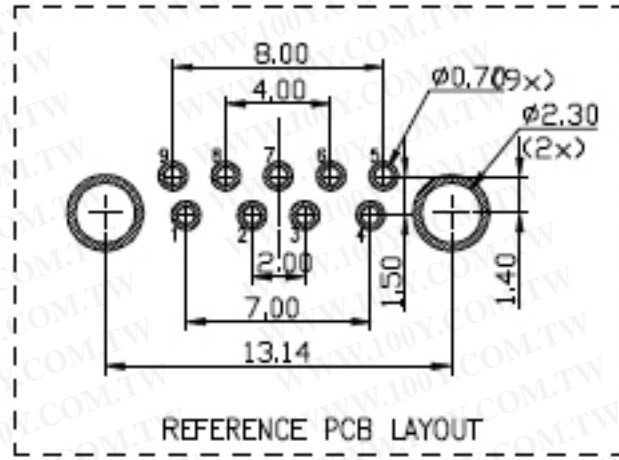


勝特力材料 886-3-5753170
 勝特力电子(上海) 86-21-34970699
 勝特力电子(深圳) 86-755-83298787
 Http://www.100y.com.tw

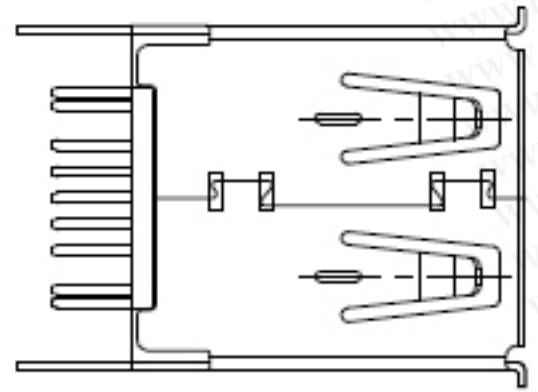
REV.	ECN NO.	DESCRIPTION	DRAW	CHECK	APPD.	DATE
A0	—	NEW	Elaine	—		2015.9.19

SPECIFICATIONS:
 Contact current Rating:
 1.8 Amperes for pin1&pin4.
 0.25 Amperes other contacts
 Dielectric Withstanding Voltage:AC 100V(RMS)
 Insulation resistance:100Megohms Minimum.
 Contact Resistance:
 30mΩ Max for pin1&pin4
 50mΩ Max for other contacts
Mechanical Characteristics:
 Mating Force:35 Newtons.Maximum
 Unmating Force:10 Newtons.Minimum.
MATERIAL: 8N Min After Durability
 Housing: PBT/LCP 94V-0 COLOR:BLUE
 Contact: copper alloy(T=0.25mm)
 Shell: SPCC
PLATING:
 Contact: Au Plated on contact area
 Tin Plated on solder area
 Nickel underplating over all
 Shell: Nickel Plated
 operating Temperature:-55'to+85'



料号备注
 CU 3 F 176 D XX T XX XX

- 12=半金雾锡1U"
- 13=半金雾锡30U"
- 14=半金雾锡5U"
- 15=半金雾锡15U"
- 16=半金雾锡30U"
- 00=PBT蓝铁壳镀镍
- R=ROHS2.0标准
- W=无卤+ROHS2.0
- H=REACH标准
- B=盐雾24H
- C=盐雾48H



Pin Number	Signal Name
1	VBUS
2	D-
3	D+
4	GND
5	SSRX-
6	SSRX+
7	GND
8	SSTX-
9	SSTX+
Shell	Shield

UNLESS OTHERWISE SPECIFIED
TOLERANCES
 X. +/- METRIC 0.30
 .X +/- 0.25
 .XX +/- 0.25
 FRACTIONS +/-
 ANGLES +/- 2.00°
DIMENSIONS
 (METRIC) (MM)

APPROVAL		日期
制图	??	2014.03.18
审核	??	2014.03.18
核准		
文件位置		

品名规格	USB 3.0 AF 180° DIP (有卷边直脚,脚长3.0封装款)
料号	SEE TABLE
字库	工程图号: A4
比例	1 : 1
状态码	A
页数	1 OF 1
版本	A0

