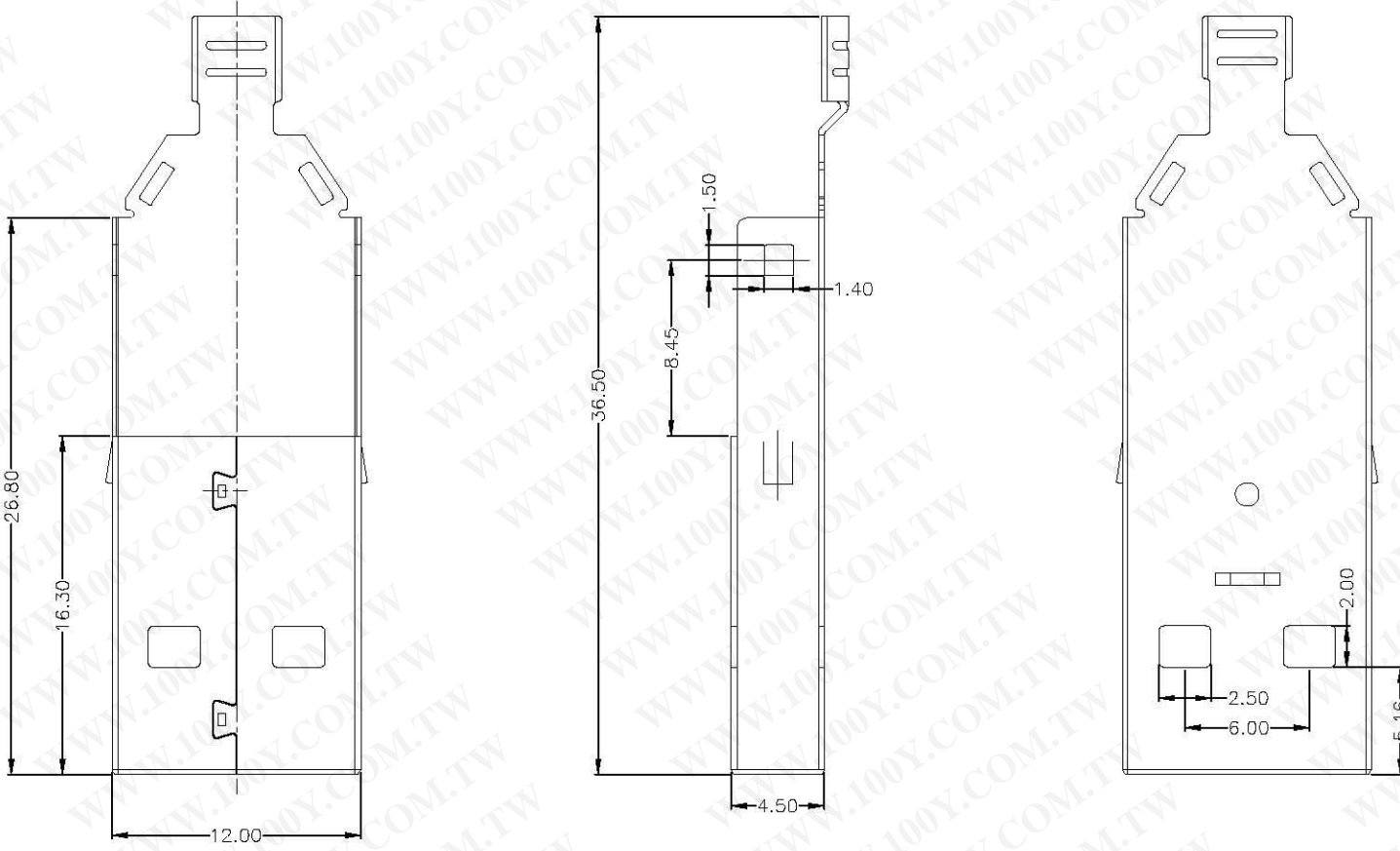




**RoHS Compliant**  
2002/95/EC

REV	LTR	DESCRIPTION	DATE	REVISER	APPD

勝特力材料 886-3-5753170  
 勝特力电子(上海) 86-21-54151736  
 勝特力电子(深圳) 86-755-83298787  
[Http://www.100y.com.tw](http://www.100y.com.tw)



NOTES:  
1.Material: SPCC

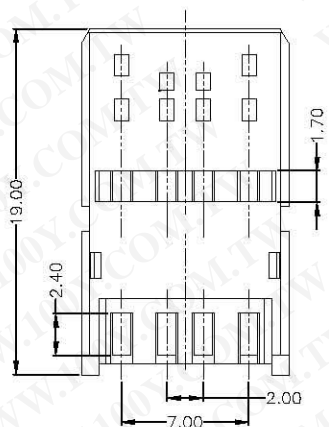
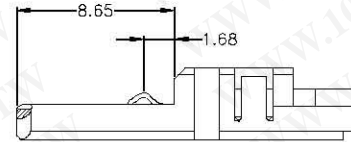
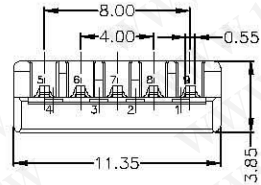
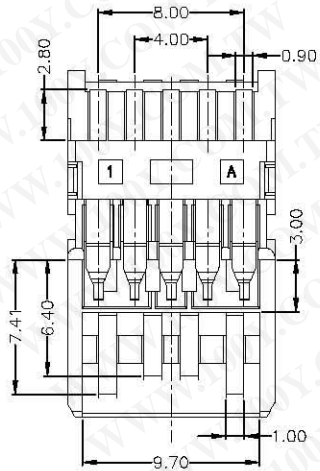
X. ±0.35	X.* ±2*	UNITS	mm	TITLE: <b>USB AM3.0 SOLDER FRONT SHELL</b>	PART NO.: USAM-095N-1BLST01
.X ±0.3	.X* ±1*	MAT'L	SEE NOTE		
.XX ±0.25	.XX*	FINISH	SEE NOTE	DR: <i>gan</i> 2012/8/2	DWG NO.: AII-ST01
.XXX ±0.15	.XXX*	Q'TY	SEE NOTE	CHKD: <i>gan</i> 2012/8/2	SCALE SHEET REV. CUSTOMER 1:1 1/1 B DRAWING
<small>THESE DRAWINGS AND SPECIFICATIONS ARE THE PROPERTY OF ACCURATE INNOTECH INC AND SHALL NOT BE REPRODUCED, COPIED OR USED IN ANY MANNER WITHOUT THE PRIOR WRITTEN CONSENT OF ACCURATE INNOTECH INC</small>					



RoHS  
Compliant  
2002/95/EC

REV	LTR	DESCRIPTION	DATE	REVISER	APPD

勝特力材料 886-3-5753170  
 勝特力电子(上海) 86-21-54151736  
 勝特力电子(深圳) 86-755-83298787  
[Http://www.100y.com.tw](http://www.100y.com.tw)



NOTES:

- ELECTRICAL:
  - VOLTAGE CURRENT RATING: 1.8AMP, 30V AC;
  - INSULATION RESISTANCE: 100MΩ MIN;
  - CONTACT RESISTANCE: 30mΩ MAX;
  - WITHSTANDING VOLTAGE: 100V AC;
  - OPERATING TEMPERATURE: -20°C TO +85°C.
- Mechanical:
  - Mating Force: 35N MAX
  - Unmating Force: 10N MIN.
- NOTE: 1. DIMENSIONS MARKED "▼" TO BE CHECKED BY Q.C & IPQC.

4. PART NO.

USAM-095N-1BLST01  
 1:Au 1U"  
 5:Au 15U"  
 6:Au 30U"  
 W:WHITE  
 B:BLACK  
 BL:BLUE  
 1:PBT  
 2:PA6T  
 3:PA9T  
 4:LCF

Bill of materials:

NO	PARTS	MATERIAL	QTY	FINISHING	X. ±0.35	X.* ±2*	UNITS	mm
3	HOUSING	PBT	1	UL94V-0	.X ±0.3	.X.* ±1*	MAT'L	SEE NOTE
2	TERMINAL2	COPPER ALLOY	4	PLATED GOLD/TIN	.XX ±0.25	.XX*	FINISH	SEE NOTE
1	TERMINAL1	COPPER ALLOY	5	PLATED GOLD/TIN	.XXX ±0.15	.XXX*	Q'TY	SEE NOTE
THESE DRAWINGS AND SPECIFICATIONS ARE THE PROPERTY OF ACCURATE INNOTECH INC AND SHALL NOT BE REPRODUCED, COPIED OR USED IN ANY MANNER WITHOUT THE PRIOR WRITTEN CONSENT OF ACCURATE INNOTECH INC								
TITLE:		PART NO.:		DR:		DWG NO.:		
USB AM3.0 焊線三件式 主体		USAM-095N-1BLST01		gan 2012/8/2		AII-ST01		
CHKD:		SCALE		SHEET		REV.		
gan 2012/8/2		1:1		1/1		B		
APPD:		CUSTOMER DRAWING						

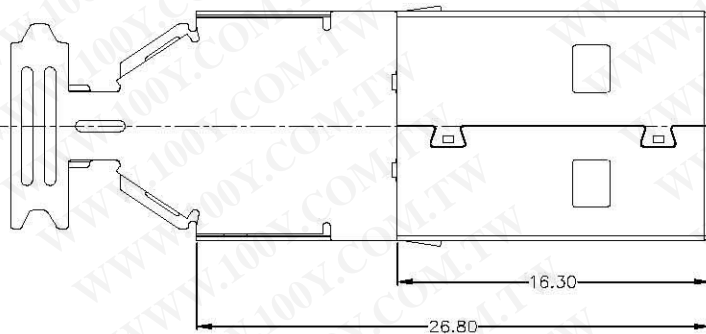
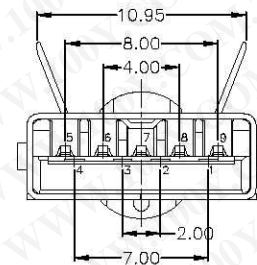
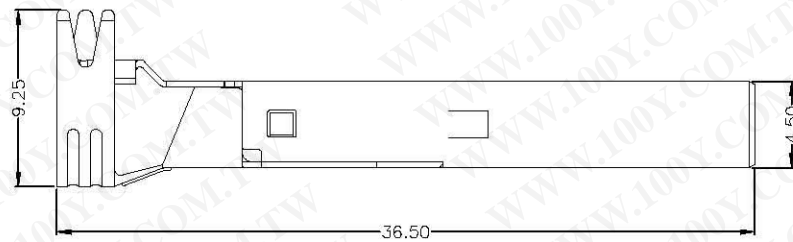
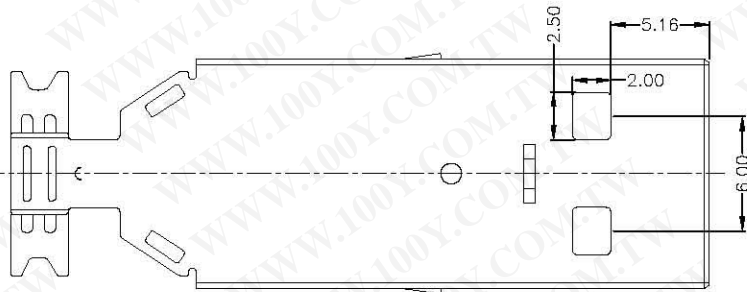


**RoHS Compliant**  
2002/95/EC

REV	LTR	DESCRIPTION	DATE	REVISOR	APPD

**勝特力材料 886-3-5753170**  
**勝特力电子(上海) 86-21-54151736**  
**勝特力电子(深圳) 86-755-83298787**  
[Http://www.100y.com.tw](http://www.100y.com.tw)

PIN NUMBER	SIGNAL NAME
1	VBUS
2	D-
3	D+
4	GND
5	STDA_SSRX-
6	STDA_SSRX+
7	GND_DRAIN
8	STDA_SSTX-
9	STDA_SSTX+
Shell	Shield



**NOTES:**

1. ELECTRICAL:
  - 1) VOLTAGE CURRENT RATING:1.8AMP,30V AC;
  - 2) INSULATION RESISTANCE: 100MΩ MIN;
  - 3) CONTACT RESISTANCE: 30mΩ MAX;
  - 4) WITHSTANDING VOLTAGE: 100V AC;
  - 5) OPERATING TEMPERATURE:-20°C TO +85°C.
2. Mechanical:
  - 1) Mating Force: 35N MAX
  - 2) Unmating Force: 10N MIN.
3. NOTE:1.DIMENSIONS MARKED "▼" TO BE CHECKED BY Q.C & IPQC.

4. PART NO.

USAM-095N-1BLST01

1:Au 1U"  
5:Au 15U"  
6:Au 30U"

W:WHITE  
B:BLACK  
BL:BLUE

1:PBT  
2:PA6T  
3:PA9T  
4:LCP

Bill of materials:

NO	PARTS	MATERIAL	QTY	FINISHING	UNITS	mm	TITLE:	PART NO.:
4	SHELL	SPCC	1	PLATED NICKEL	X. ±0.35	X.* ±2*	USB AM3.0 挿線三件式 前板後板無凸包	USAM-095N-1BLST01
3	HOUSING	PBT	1	UL94V-0	.X ±0.3	.X* ±1*	DR: gan 2012/8/2	DWG NO.:
2	TERMINAL2	COPPER ALLOY	4	PLATED GOLD/TIN	.XX ±0.25	.XX*	CHKD: gan 2012/8/2	AII-ST01
1	TERMINAL1	COPPER ALLOY	5	PLATED GOLD/TIN	.XXX ±0.15	.XXX*	APPD:	SCALE SHEET REV. CUSTOMER DRAWING
							1:1 1/1 B	

THESE DRAWINGS AND SPECIFICATIONS ARE THE PROPERTY OF ACCURATE INNOTECH INC AND SHALL NOT BE REPRODUCED, COPIED OR USED IN ANY MANNER WITHOUT THE PRIOR WRITTEN CONSENT OF ACCURATE INNOTECH INC

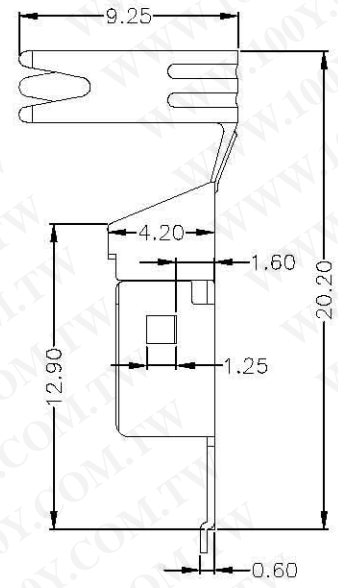
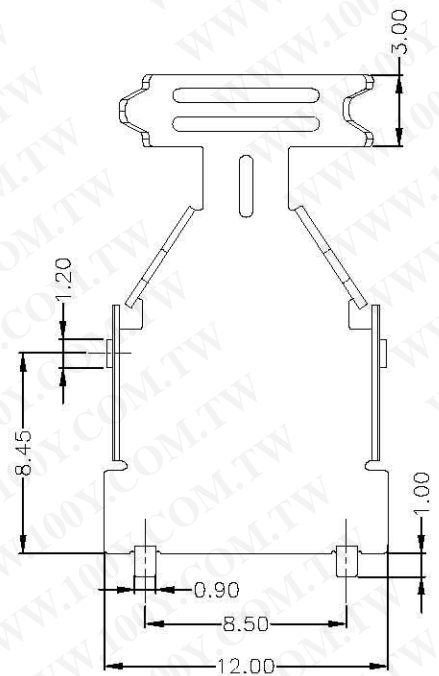
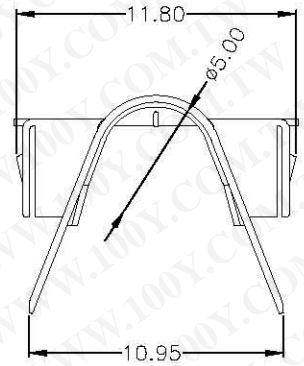




**RoHS Compliant**  
2002/95/EC

REV	LTR	DESCRIPTION	DATE	REVISER	APPD

勝特力材料 886-3-5753170  
 勝特力电子(上海) 86-21-54151736  
 勝特力电子(深圳) 86-755-83298787  
[Http://www.100y.com.tw](http://www.100y.com.tw)



NOTES:  
1. Material: SPCC

X. ±0.35	X.* ±2*	UNITS	mm				
.X ±0.3	.X* ±1*	MAT'L					
.XX ±0.25	.XX*	SEE NOTE		TITLE:	PART NO.:		
.XXX ±0.15	.XXX*	SEE NOTE		<b>USB AM3.0 SOLDER COVER SHELL</b>	USAM-095N-1BLST01		
<small>THESE DRAWINGS AND SPECIFICATIONS ARE THE PROPERTY OF ACCURATE INNOTECH INC AND SHALL NOT BE REPRODUCED, COPIED OR USED IN ANY MANNER WITHOUT THE PRIOR WRITTEN CONSENT OF ACCURATE INNOTECH INC</small>			Q'TY	DR: gan 2012/8/2	DWG NO.:		
				CHKD: gan 2012/8/2	AIT-ST01		
			APPD:	SCALE	SHEET	REV.	CUSTOMER DRAWING
				1:1	1/1	B	