

规格说明: Specifications:

电气特性: Electrical:

1. 额定电流: Current Rating
1.5A/contact terminal
2. 额定电压: Voltage Rating
30V DC
3. 接触阻抗: Contact Resistance
30 milliohms MAX
4. 耐电压: Dielectric Withstanding Voltage:
500 V AC AT Sea Level
5. 绝缘阻抗: Insulation Resistance:
1000MEGA ohms MIN

物理性能: Mechanical:

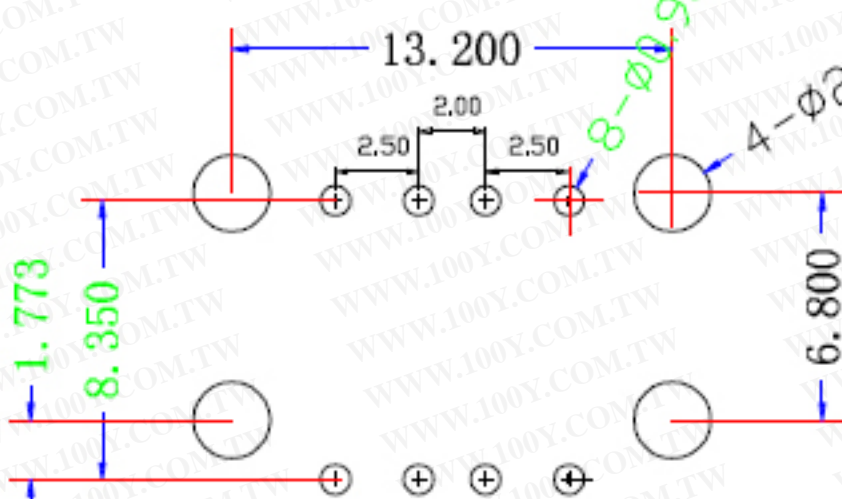
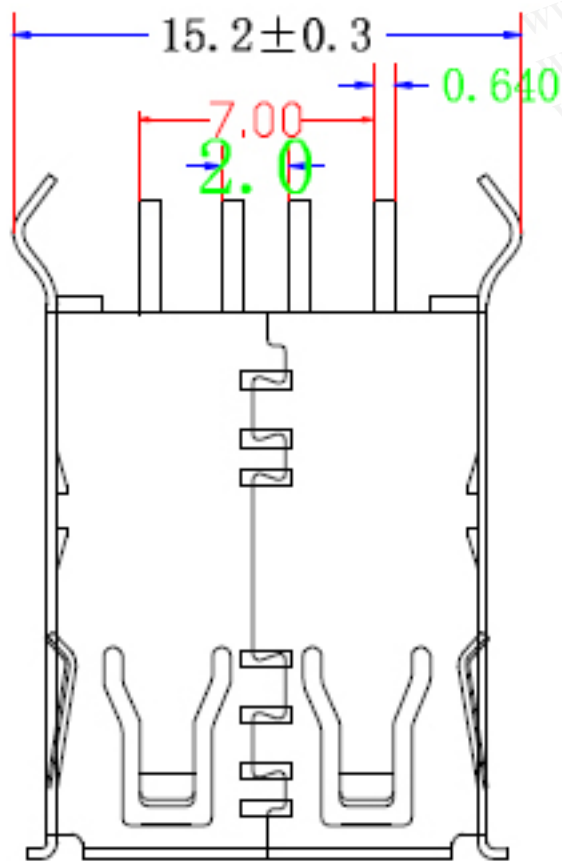
1. 插拔力: Connector Mate and Unmate Force
Mate force: 3.57kgf(MAX)
Unmate force: 1.02kgf(MIN)
2. 端子保持力: Terminal Retention
1.2kgf(MIN)

原材料: Material:

1. 塑胶: Housing:
Hing Temperature Thermoplastics,
PBT White/Black
2. 端子: Contact: Copper Alloy C2680
3. 外壳: Shell: Copper Alloy C2680/SPCC

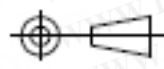
电镀: Finish:

1. 端子: Contact: Plated Gold in Mating Area;
Tin On Solder Tails
2. 外壳: Shell:
Nickel Plating



RBCOMMEND P. C. B PATTERN LAY OUT

勝特力材料 886-3-5753170
 勝特力电子(上海) 86-21-34970699
 勝特力电子(深圳) 86-755-83298787
[Http://www.100y.com.tw](http://www.100y.com.tw)

UNLESS OTHERWISE SPECIFIED TOLERANCE .X ±0.20 .XX ±0.15 .XXX ±0.10 ANG. ±2°	DRAWN H.Q.huocy	 UNIT MM	TITLE USB AF 双层直插17.0MM弯脚	
	APPROVED		SCALE 3/1	PART NO.
	DATE 2011.03.18	SIZE A4	DOC. NO.	