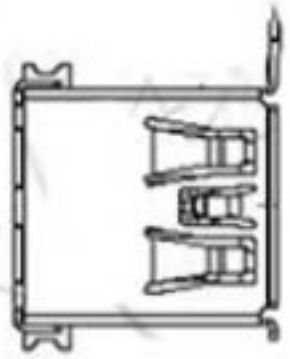
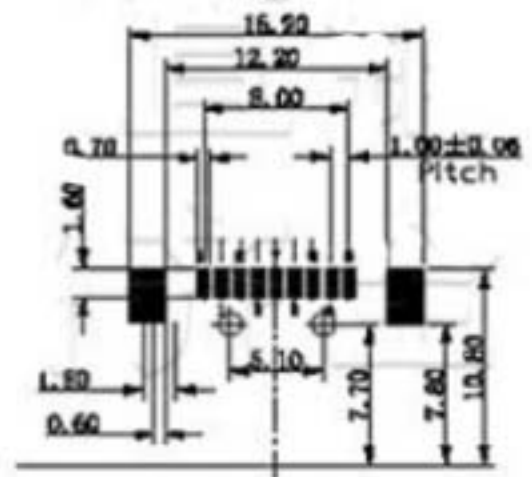
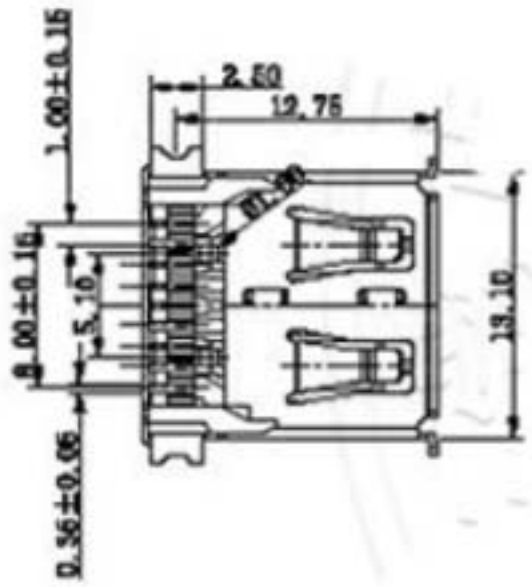
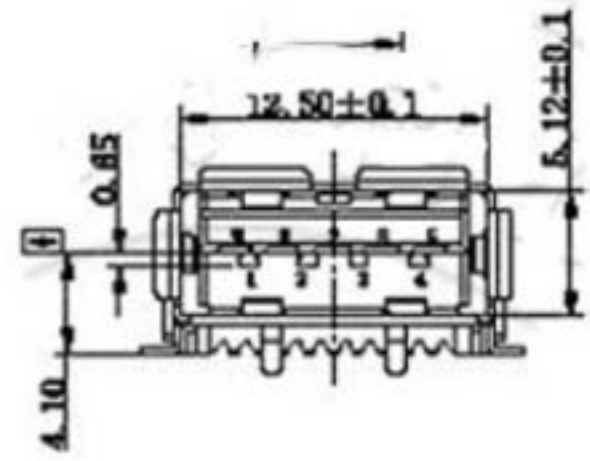
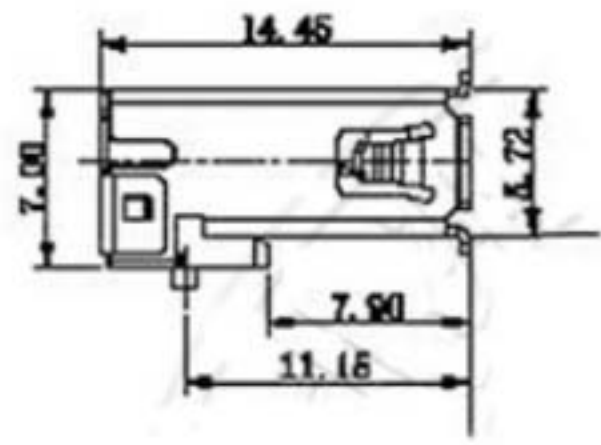




时间	工程部
2018/07/08	陈万财

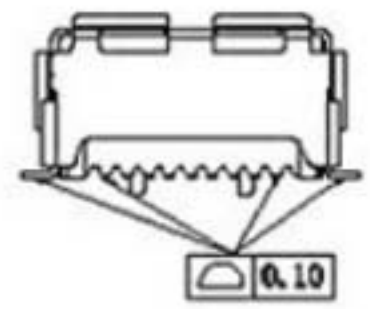


PCB EDGE
RECOMMENDED PCB LAYOUT

勝特力電材超市-龍山店 886-3-5773766
 勝特力電材超市-光復店 886-3-5729570
 勝特力电子(上海) 86-21-34970699
 勝特力电子(深圳) 86-755-83298787
<http://www.100y.com.tw>

NOTE:

1. MATERIAL:
 - 1.1 INSULATOR: LCP UL 94V-0
 - 1.2 CONTACT: BRONZE
 - 1.3 SHELL: BRASS
2. ELECTRICAL CHARACTERISTICS:
 - 2.1 CONTACT RESISTANCE: 50mΩ MAXIMUM
 - 2.2 CONTACT CURRENT RATING: 1.5A
 - 2.3 DIELECTRIC WITHSTANDING VOLTAGE: 100 V AC
 - 2.4 INSULATION RESISTANCE 100 MEGOHMS MIN
 - 2.5 OPERATING TEMPERATURE: -40° C ~ 85° C
- MECHANICAL CHARACTERISTICS:
 - 3.1 MATING FORCE: 3.67kgf MAX
 - 3.2 UNMATED FORCE: 0.82kgf MIN AFTER TEST
 - 3.3 DURABILITY MANDATORY: 1200 CYCLES
4. PLATING
 - 4.1 TERMINAL:
 - 50μ" MIN NICKEL ALL OVER
 - 80μ" MIN Tl₆ ON SOLDER AREA
 - (1~50)μ" Au ON CONTACT AREA
 - 4.2 SHELL: 100μ" MIN NICKEL ALL OVER



电镀和颜色 PLATING & color	材料 MATERIAL	一般公差 GENERAL TOLERANCE				DSND	DUGUANXIN	DATE	2018/07/08	USB3.0母座全贴带柱 卷边
		X	±0.30	XX	±0.20					
WHITE	LCP	XXX	±0.15	XXXX	±0.05	CHKD	ZHENGJUNIE	DATE	2018/07/08	
		AND CL ±1°				APVD	CHENZHONG	DATE	2018/07/08	
GOLD PLATING AND NI UNDER-PLATING				SCALE: 1:1	SIZE: A4	VIEW:				
		SHEET 1 OF 1		UNIT: mm	REV.: A/0	OBJECT: MY				