

勝特力材料 886-3-5753170
胜特力电子(上海) 86-21-34970699
胜特力电子(深圳) 86-755-83298787
[Http://www.100y.com.tw](http://www.100y.com.tw)

Female connector with gripping plate; 4-pole; Pin spacing 5 mm / 0.197 in

Item No.: 2092-1104/002-000



Female connector with gripping plate; 4-pole; Pin spacing 5 mm / 0.197 in

Marking

RoHS ✓
Compliant

Business data

Supplier	WAGO
Item no.	2092-1104/002-000
GTIN / EAN	4050821411727
Content	1
Order amount	100
Customer item number	

Notes

Universal connection of all conductor types Simple, push-in termination of solid and ferruled conductors Easy-to-use design does not require special tools Ability to wire while mated or unmated Testing parallel to conductor entry – tip contact Also available with gripping plates Integrated locking latches prevent accidental disconnection

Technical data

Miscellaneous

No. of Poles	4
Total number of connection points	4
Total number of potentials	4
Color	light gray
Ratings according to 1	IEC/EN 60664-1
Overvoltage category EN 1	III
Pollution degree (1)	2

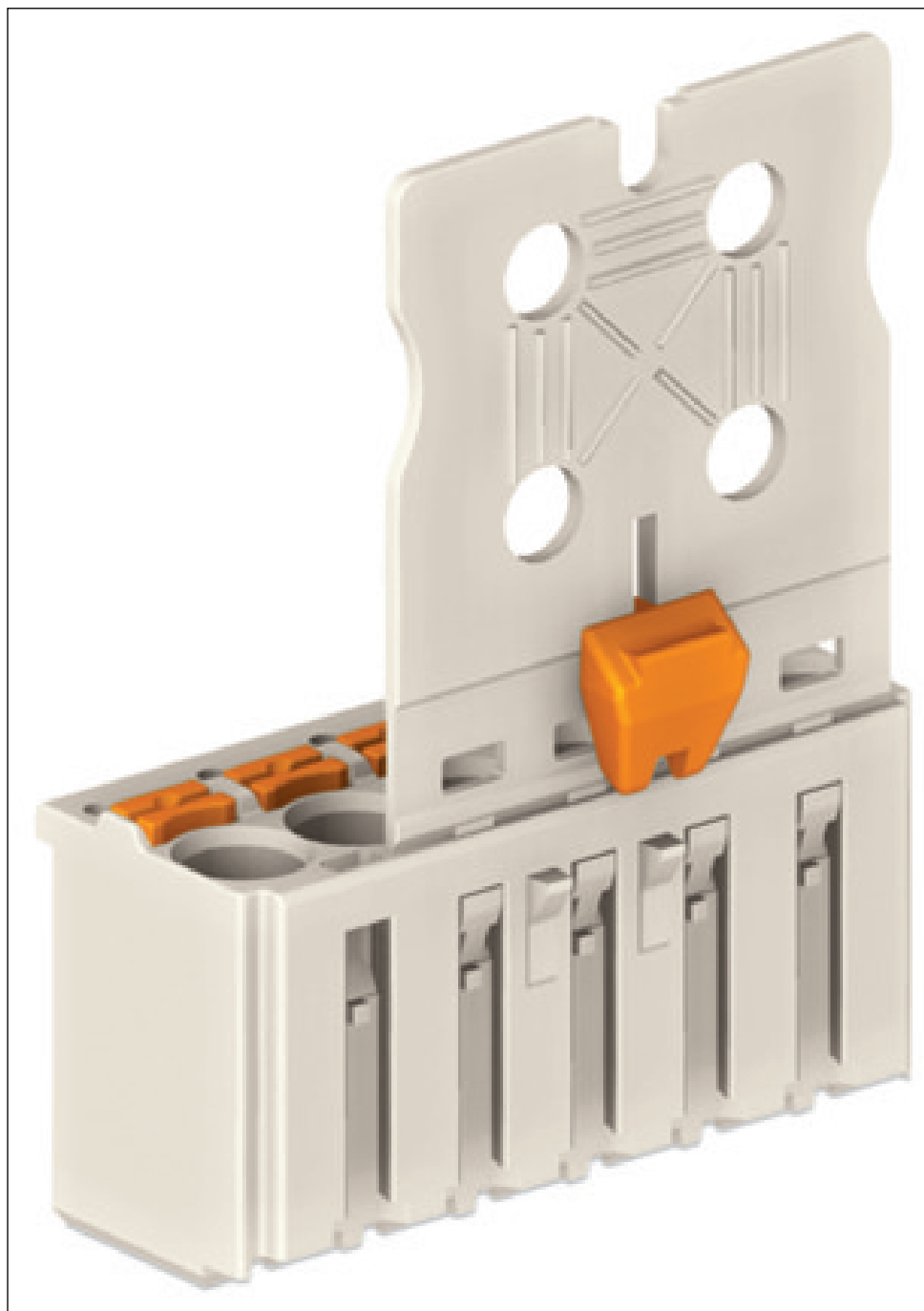
Technical data	
Rated voltage EN (1) [V]	320 [V]
Rated surge voltage (1) [kV]	4 [kV]
Nominal current [A]	16 [A]
Overvoltage category EN 2	II
Degree of pollution (2)	2
Rated voltage EN (2) [V]	630 [V]
Rated surge voltage (2) [kV]	4 [kV]
Nominal current (2) [A]	16 [A]
Overvoltage category EN 3	III
Degree of pollution (3)	3
Rated voltage EN (3) [V]	250 [V]
Rated surge voltage (3) [kV]	4 [kV]
Nominal current (3) [A]	16 [A]
Connection technology (1)	Push-in CAGE CLAMP®
Solid sizes 1	0.2 ... 2.5 mm ² / 24 ... 12 AWG
Fine-stranded wires 1	0.2 ... 2.5 mm ² / 24 ... 12 AWG
Fine-stranded wires with insulated ferrule 1	0.25 ... 1.5 mm ² / ...
Fine-stranded wires with uninsulated ferrule 1	0.25 ... 2.5 mm ² / ...
Strip length 1	9 ... 10 mm / 0.35 ... 0.39 in
Material group	I
Insulating material	Polyphthalamide glass fiber (PPA-GF)
Flammability rating per UL 94	V0
Lower limit temperature [C]	-60 [C]
Upper temperature limit [C]	100 [C]
Clamping spring material	Chrome-nickel spring steel (CrNi)
Contact material	Electrolytic copper (Ecu)
Contact plating	tin-plated
Fire load [MJ]	0.095 [MJ]
Weight [g]	3.979 [g]
Height [mm]	35.4 [mm]
Altitude [in]	1.394 [in]
Pin spacing from [mm]	5 [mm]
Pin spacing from [in %]	0.197 [in %]

勝特力材料 886-3-5753170
 勝特力电子(上海) 86-21-34970699
 勝特力电子(深圳) 86-755-83298787
[Http://www.100y.com.tw](http://www.100y.com.tw)

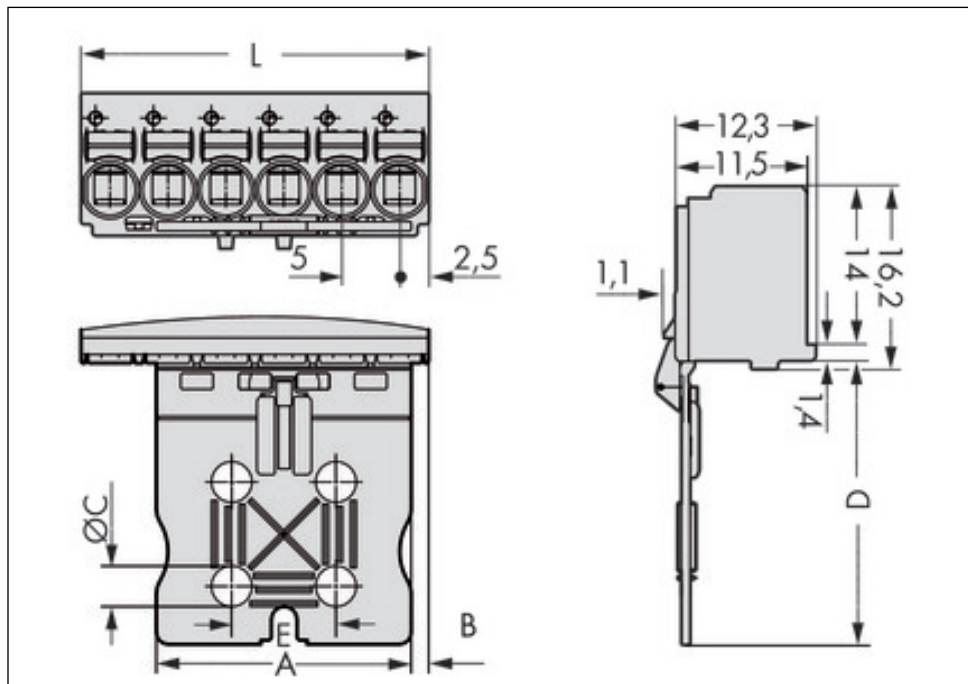
Approbation					
Item No.	Registration	Registration no.	Voltage [V]	Current [A]	Cross section [mm ² , AWG]
2092-1104/002-000	CCA	2160211.02	630	16	0.20-2.50

勝特力材料 886-3-5753170
勝特力电子(上海) 86-21-34970699
勝特力电子(深圳) 86-755-83298787
[Http://www.100y.com.tw](http://www.100y.com.tw)

Images & drawings



勝特力材料 886-3-5753170
勝特力电子(上海) 86-21-34970699
勝特力电子(深圳) 86-755-83298787
[Http://www.100y.com.tw](http://www.100y.com.tw)



Address

WAGO Kontakttechnik GmbH & Co. KG

Hansastr. 27

32423 Minden

Telefon: 0571/887-0

Fax: 0571/887-169

<http://www.wago.com>

© WAGO Kontakttechnik GmbH & Co. KG

Technische Änderungen und Irrtümer vorbehalten.

勝特力材料 886-3-5753170
勝特力电子(上海) 86-21-34970699
勝特力电子(深圳) 86-755-83298787
[Http://www.100y.com.tw](http://www.100y.com.tw)